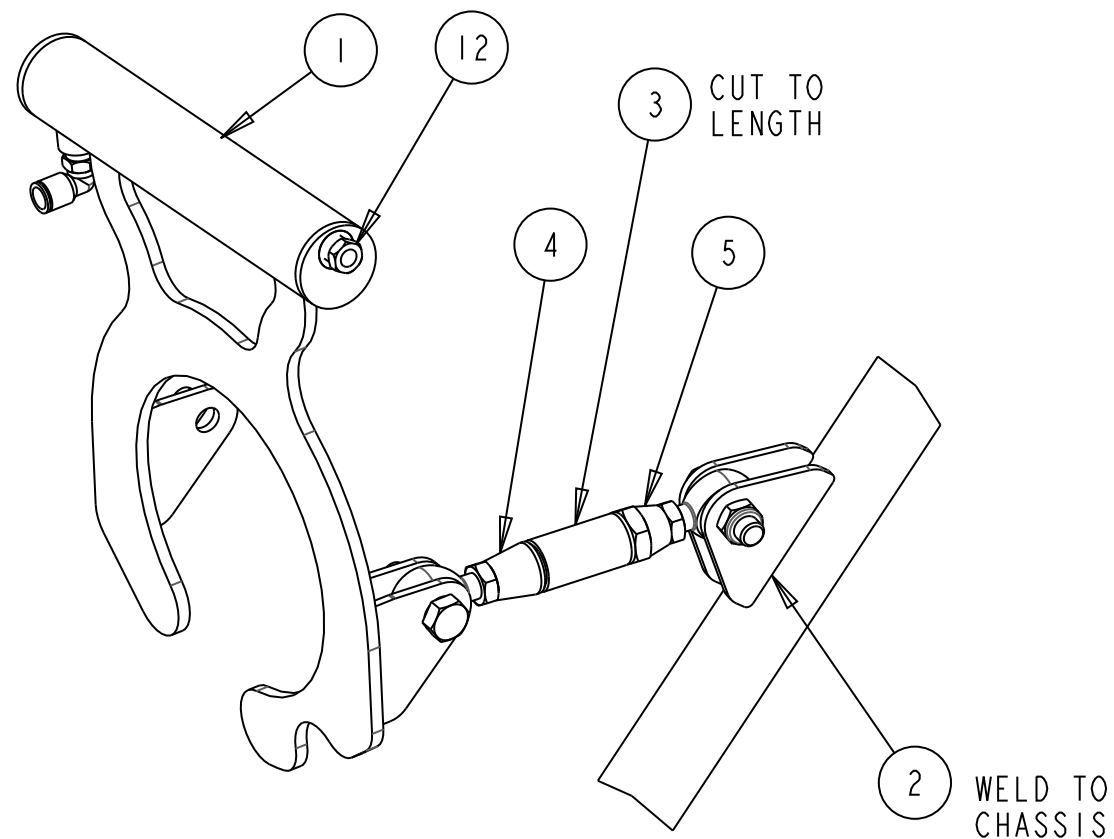
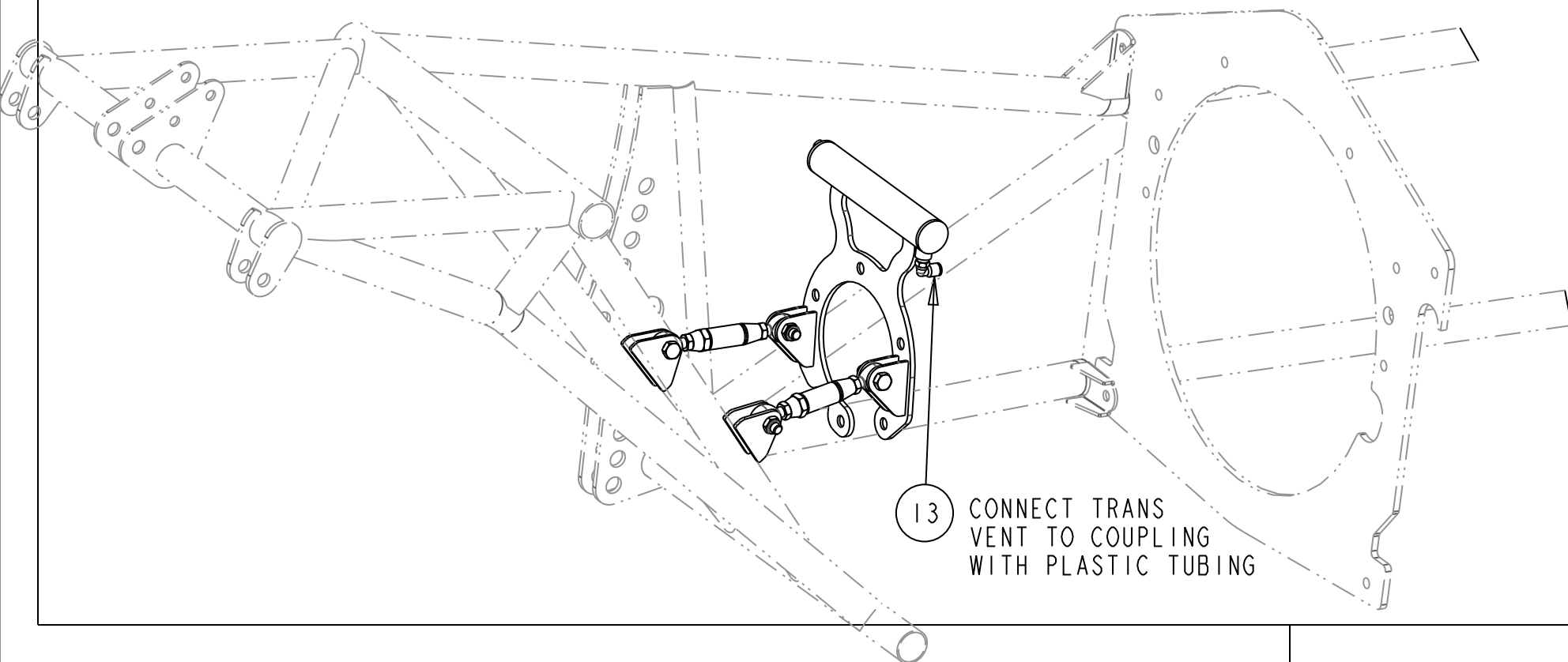


05-169-1



BILL OF MATERIALS

ITEM	QTY	PART No.	DESCRIPTION
1	1	05-165	TRANS LIMITER HANDLE & VENT TANK
2	4	60-319	LIMITER CHASSIS TAB
3	1	750X058CMX24	3/4 X 0.058 TUBING
4	2	63-080	THREADED TUBE END
5	2	63-081	THREADED TUBE END - LH
6	2	64-106	3/8 RHM STD ROD END
7	2	64-306	3/8 LHM STD ROD END
8	2	65-112	3/8 JAM NUT
9	2	65-113	3/8 LH JAM NUT
10	4	65-025	3/8 X 1 1/4" BOLT
11	4	65-143	3/8 NYLOCK HALF NUT
12	1	05-157	1/8" NPT VENT
13	2	70-032	1/8 - 1/4 90° FITTING
14	1	70-034N	1/4" AIR LINE



0	09JAN12	JEB	INITIAL RELEASE
REV	DATE	DRN	DESCRIPTION
TOLERANCES: FRACTIONS ±1/32 2 PLC DEC ±0.01 3 PLC DEC ±0.005 ANGLES ±0.5°			TRANS LIMITER KIT GENERAL ARRANGEMENT
MAT'L:			
PART No: 05-002-AET			DRW No: 05-169 - 1

S & W RACE CARS
11 MENNONITE CHURCH RD
SPRING CITY, PA 19475