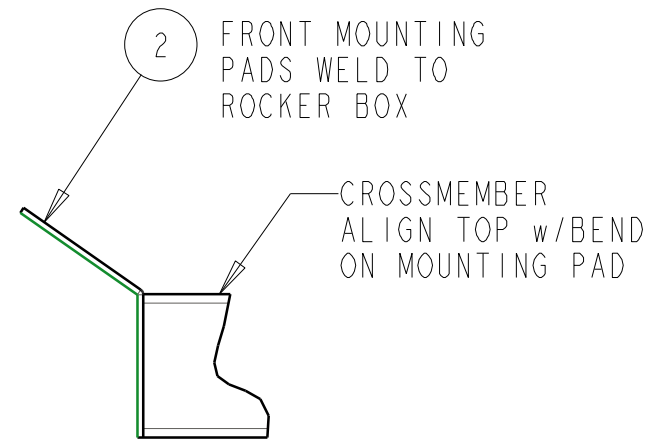
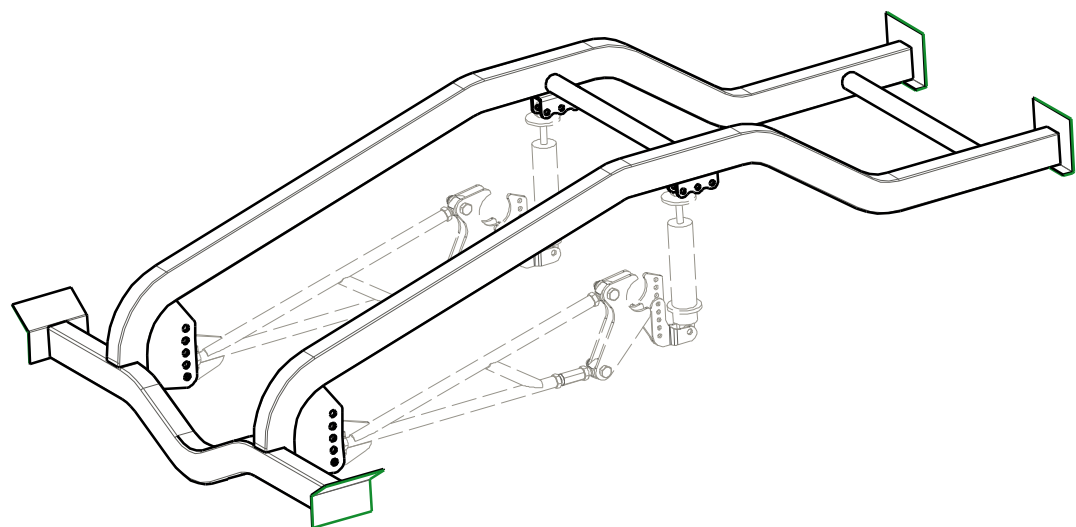
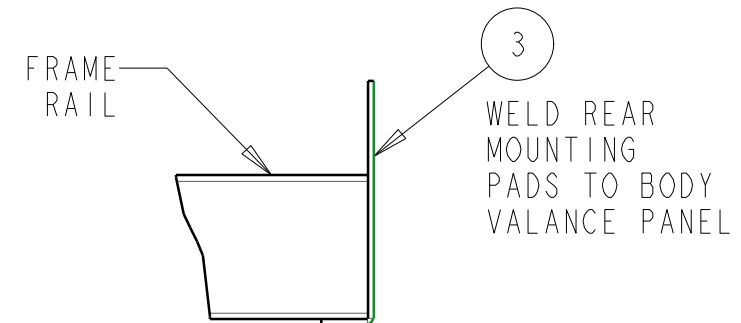


10-512-1

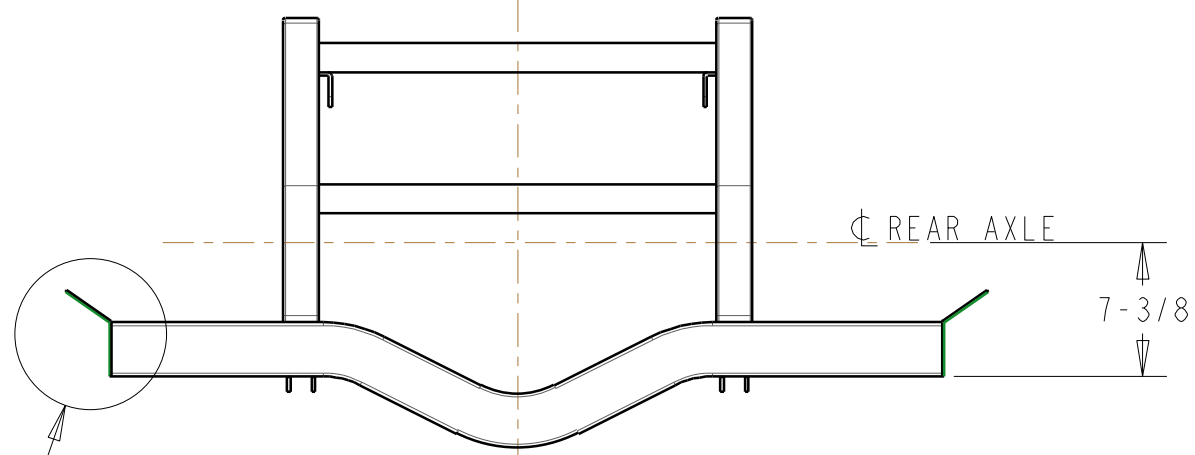


DETAIL A  
SCALE 0.250

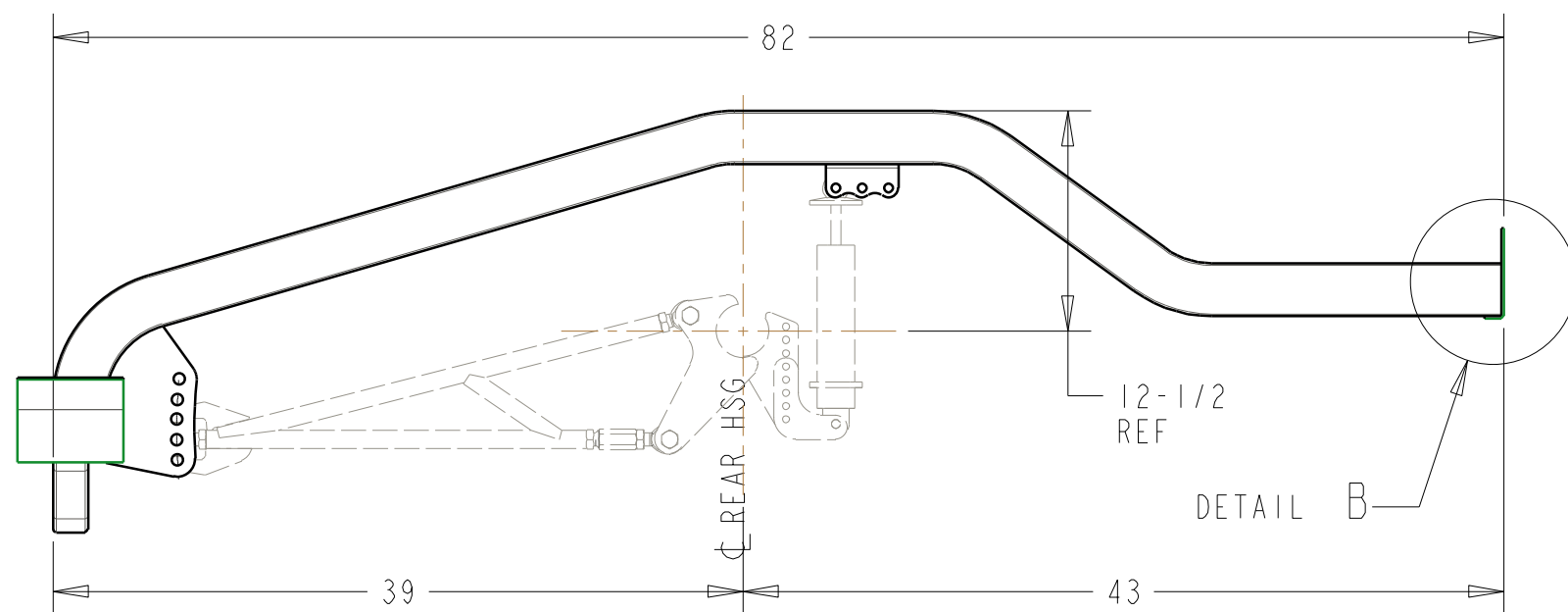
BILL OF MATERIALS			
ITEM	QTY	PART No.	DESCRIPTION
1	1	10-31XF	WELDED LADDER BAR FRAME
2	2	10-512-01	FRAME MOUNTING PLATE, FRONT
3	2	10-512-02	FRAME MOUNTING PLATE, REAR



DETAIL B  
SCALE 0.250



DETAIL A



FRONT OF CROSSMEMBER

0	27MAY09	JEB	INITIAL RELEASE
REV	DATE	DRN	DESCRIPTION
TOLERANCES: FRACTIONS ±1/32 2 PLC DEC ±0.01 3 PLC DEC ±0.005 ANGLES ±0.5°			NOVA LADDER BAR FRAME GENERAL ARRANGEMENT
MAT'L:			
PART No: 10-512			DRW No: 10-512 - 1

S & W RACE CARS  
11 MENNONITE CHURCH RD  
SPRING CITY, PA 19475