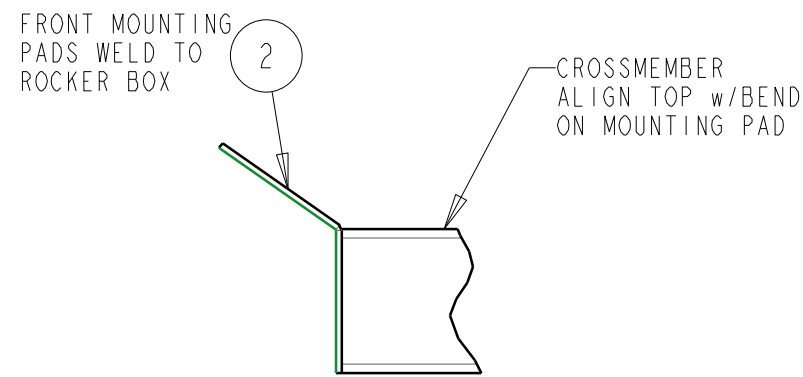
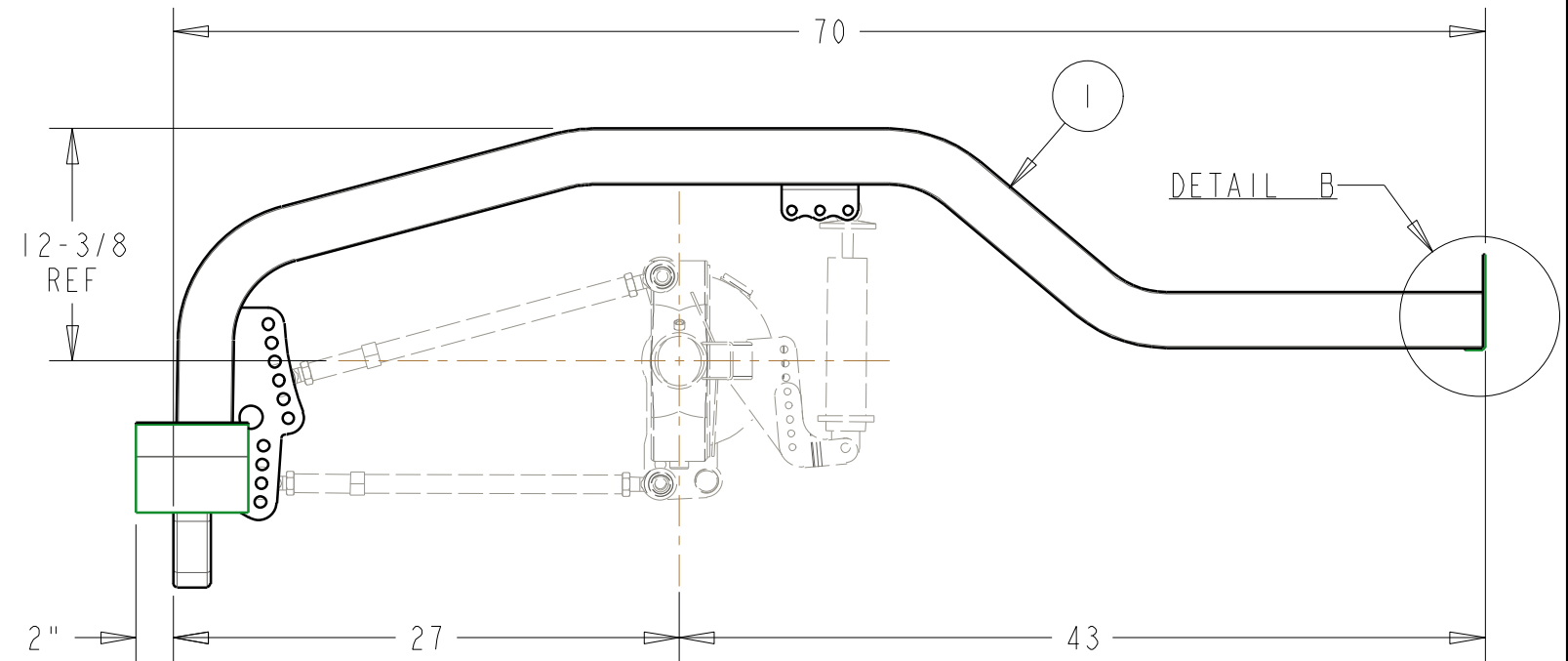
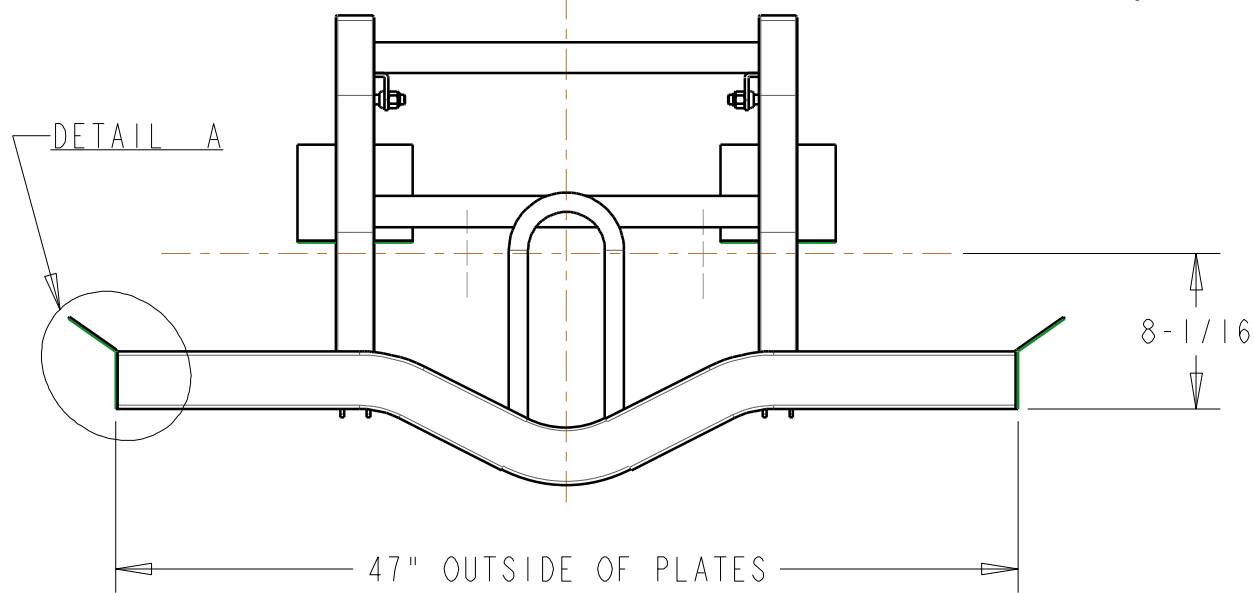
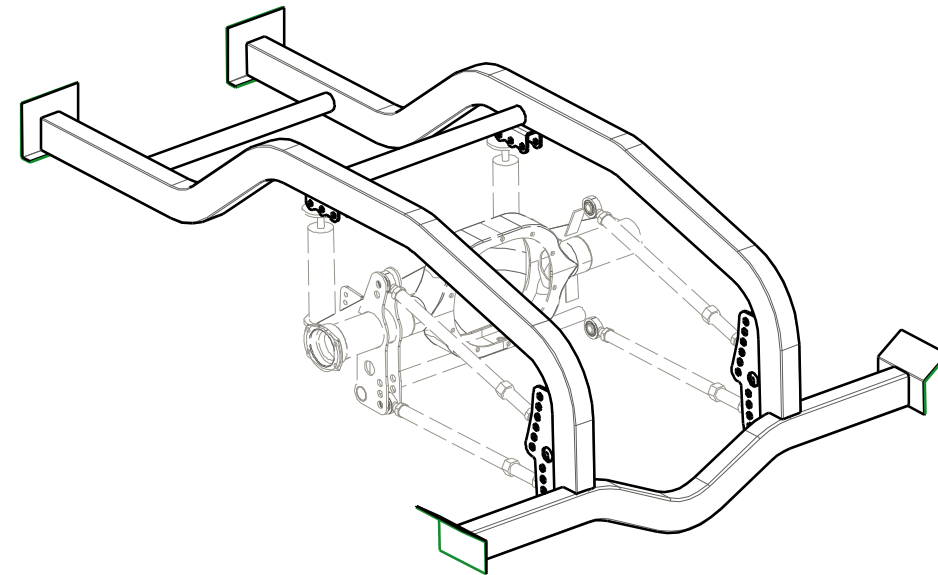


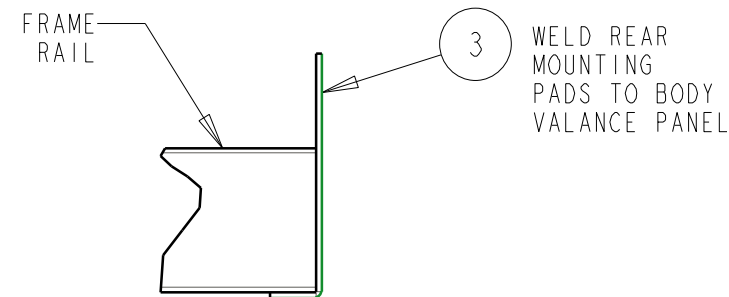
10-515-1

BILL OF MATERIALS

ITEM	QTY	PART No.	DESCRIPTION
1	2	10-515-XX	NOVA 4-LINK FRAME
2	2	10-512-01	FRAME MOUNTING PLATE, FRONT
3	1	10-512-02	FRAME MOUNTING PLATE, REAR



DETAIL A  
SCALE 0.250



DETAIL B  
SCALE 0.250

0	02JUN09	JEB	INITIAL RELEASE
REV	DATE	DRN	DESCRIPTION
TOLERANCES: FRACTIONS ±1/32 2 PLC DEC ±0.01 3 PLC DEC ±0.005 ANGLES ±0.5°			NOVA 4-LINK FRAME KIT GENERAL ARRANGEMENT
MAT'L:			
PART No: 10-515			DRW No: 10-515 - 1

S & W RACE CARS  
11 MENNONITE CHURCH RD  
SPRING CITY, PA 19475