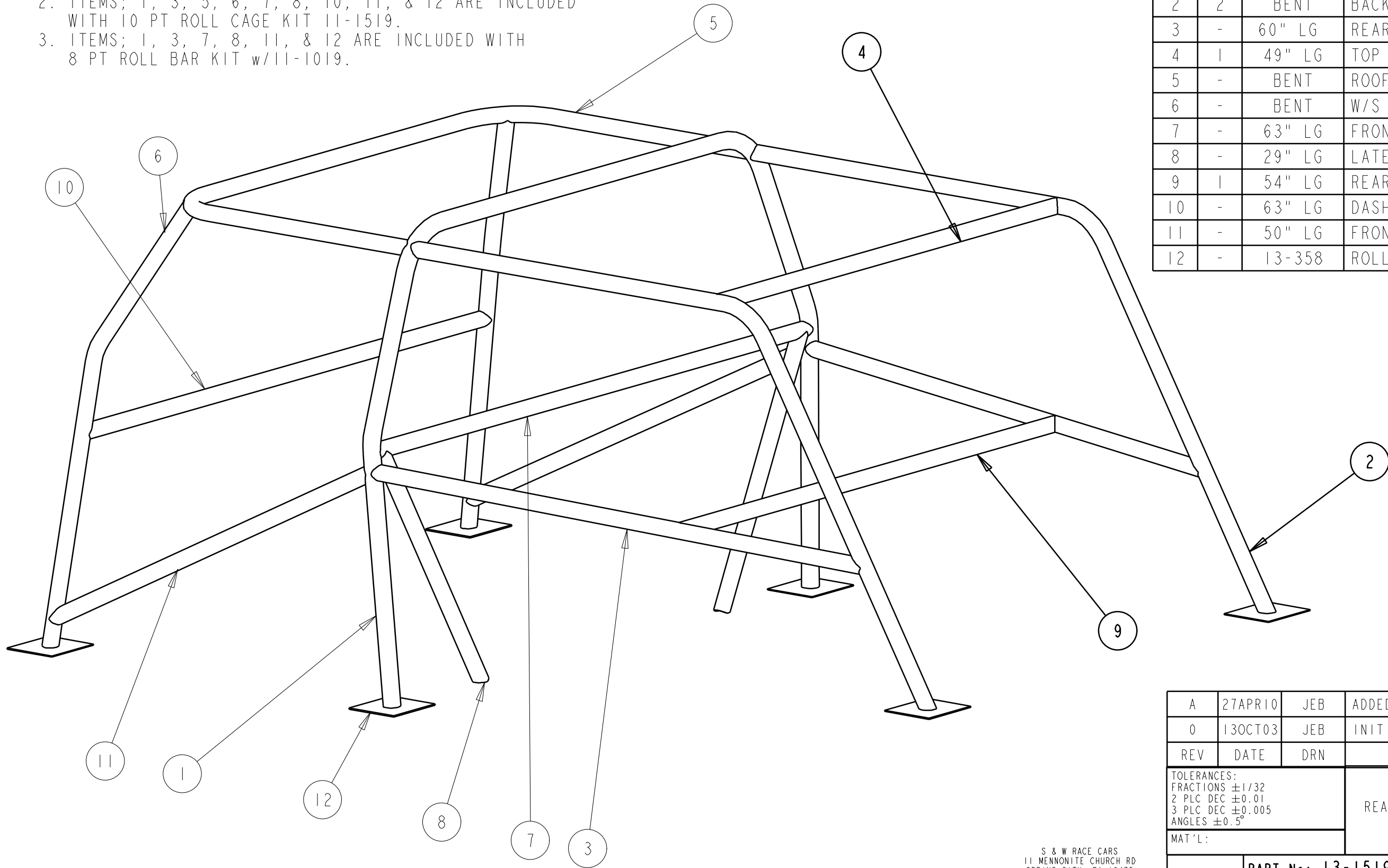


- NOTE:
1. THIS KIT IS TO BE USED WITH 10 PT ROLL CAGE 11-1519 OR 8 PT ROLL BAR 11-1019
  2. ITEMS; 1, 3, 5, 6, 7, 8, 10, 11, & 12 ARE INCLUDED WITH 10 PT ROLL CAGE KIT 11-1519.
  3. ITEMS; 1, 3, 7, 8, 11, & 12 ARE INCLUDED WITH 8 PT ROLL BAR KIT w/11-1019.



BILL OF MATERIALS			
ITEM	QTY		DESCRIPTION
1	-	BENT	MAIN HOOP, BENT
2	2	BENT	BACK BAR
3	-	60" LG	REAR SIDE BAR, 60"
4	1	49" LG	TOP CROSSMEMBER
5	-	BENT	ROOF HOOP, BENT
6	-	BENT	W/S RUNNER, BENT
7	-	63" LG	FRONT SEAT CROSSMEMBER, 63"
8	-	29" LG	LATERAL SUPPORT, 29"
9	1	54" LG	REAR SEAT CROSSMEMBER
10	-	63" LG	DASH CROSSMEMBER, 63"
11	-	50" LG	FRONT SIDE BARS, 50"
12	-	13-358	ROLL BAR MNTG PL, 6 X 6 X 1/8

A	27APR10	JEB	ADDED NOTES & REVISED BOM
0	13OCT03	JEB	INITIAL RELEASE
REV	DATE	DRN	
TOLERANCES: FRACTIONS ±1/32 2 PLC DEC ±0.01 3 PLC DEC ±0.005 ANGLES ±0.5°			73-87 BLAZER ROLL CAGE WITH REAR PASSENGER PROTECTION PACKAGE
MAT'L:			
PART No: 13-1519			DRW No: 13-1519 - 1

S & W RACE CARS  
11 MENNONITE CHURCH RD  
SPRING CITY, PA 19475

APPX WT. lbs.

SCALE 0.100