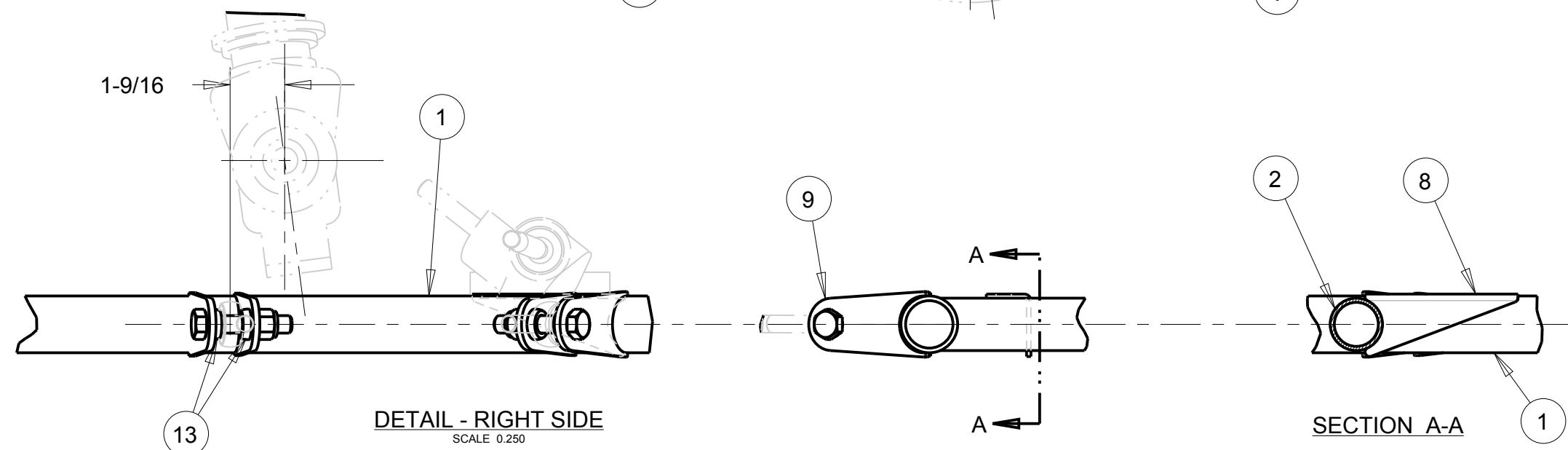
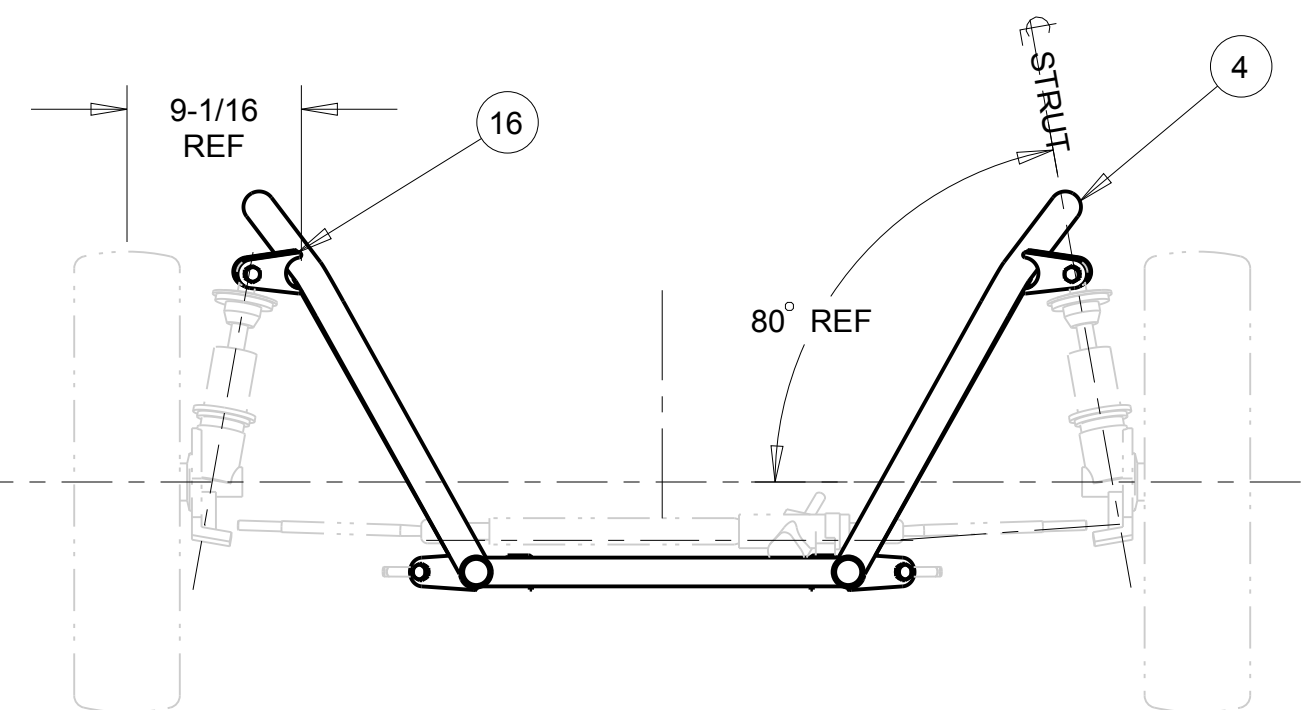
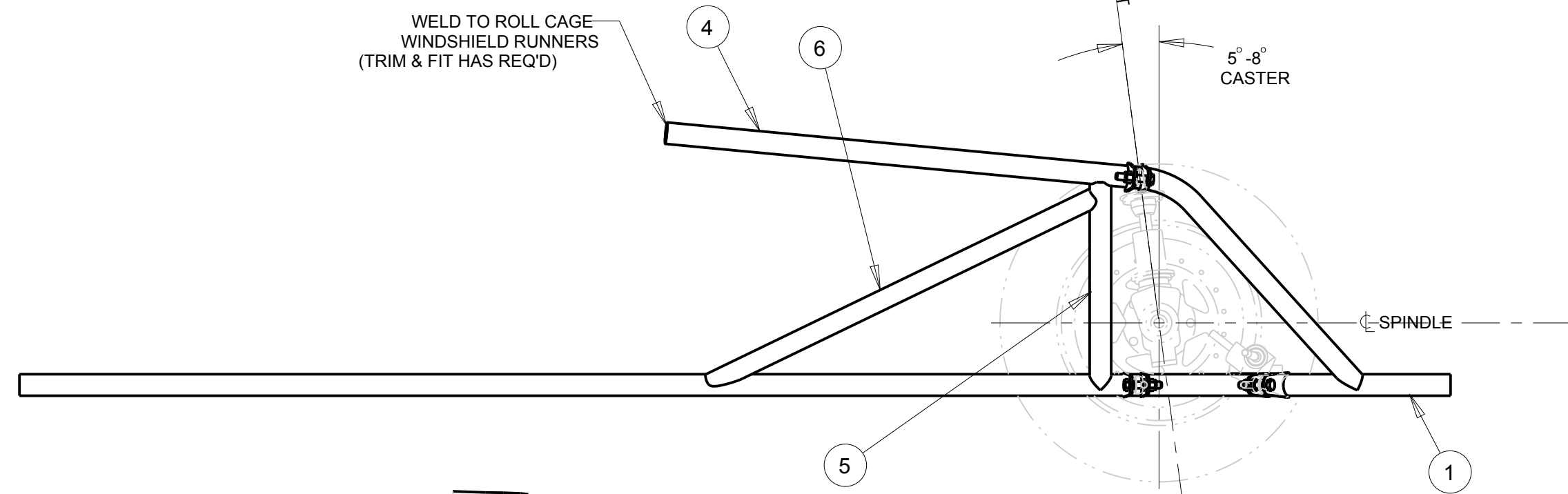
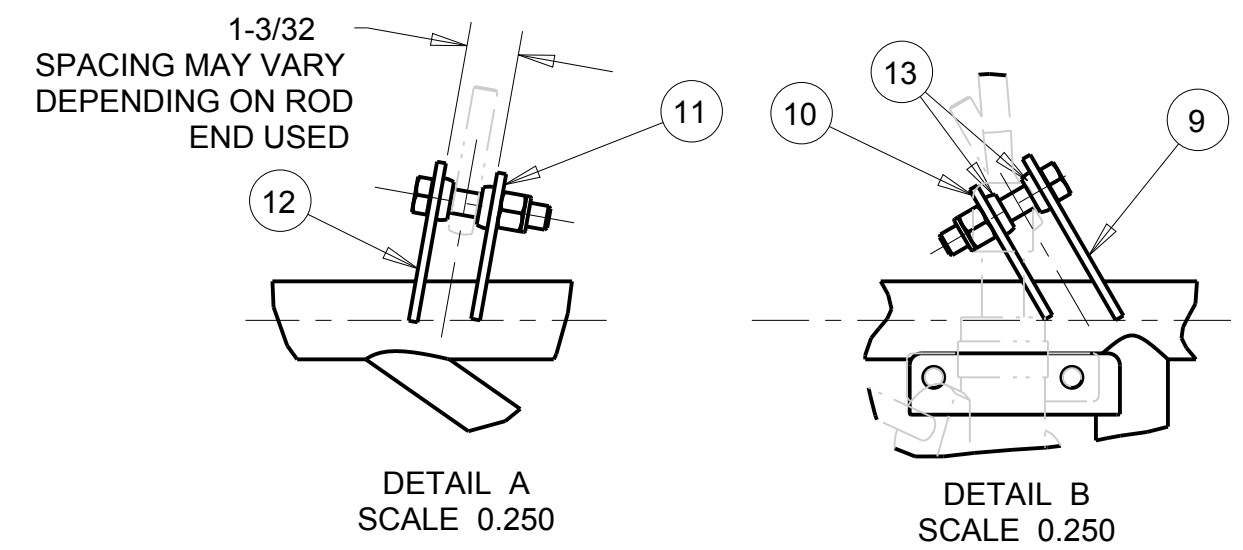
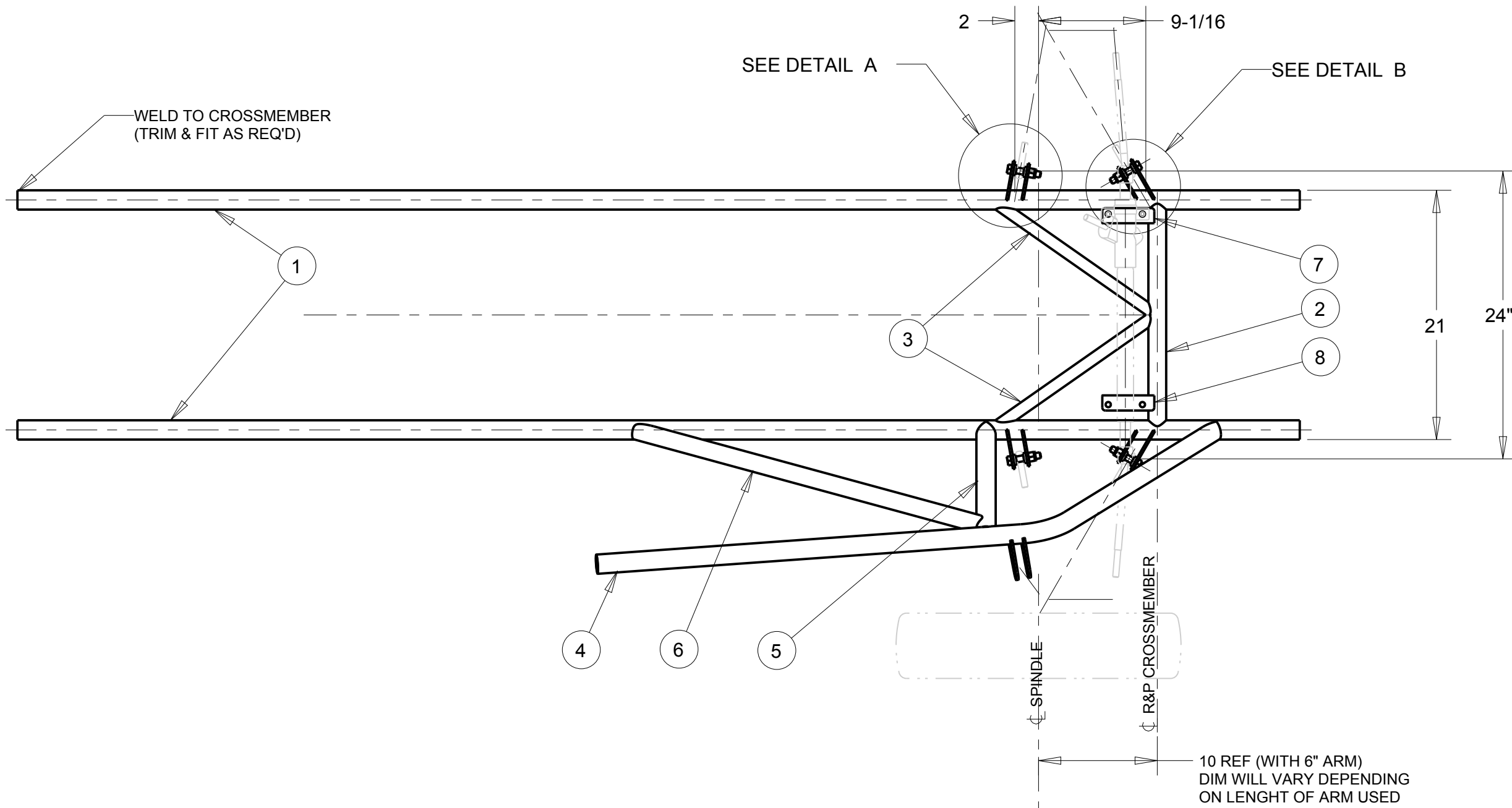
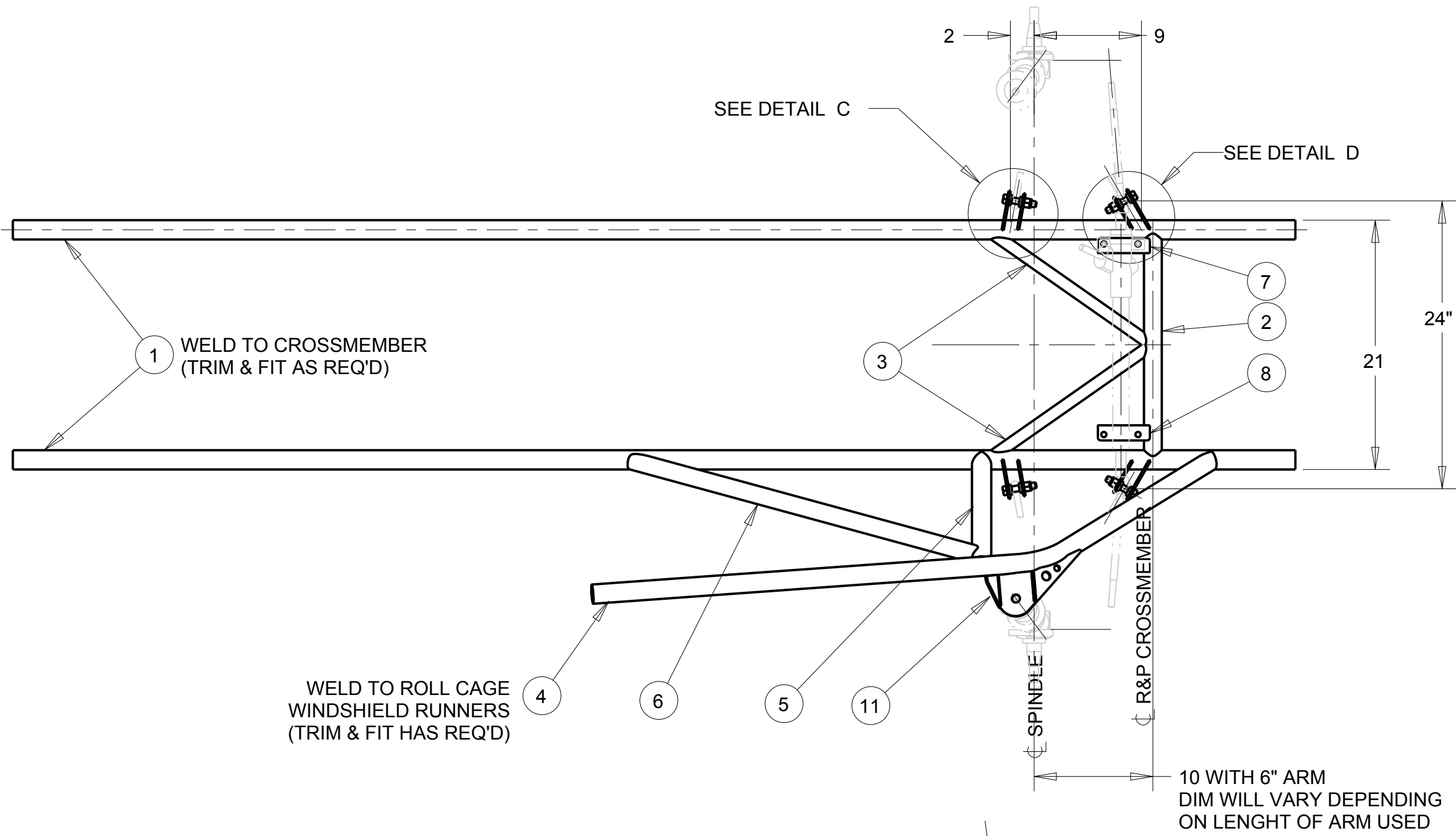


BILL OF MATERIALS			
ITEM	QTY	PART No.	DESCRIPTION
1	2	36-501-01	1 5/8" Ø FRAME RAIL
2	1	36-501-02	1 1/2" Ø CROSSMEMBER
3	2	36-501-03	1" Ø DIAGONAL
4	2	13-350-01	1 5/8" Ø FRONT FRAME SUPPORT
5	2	13-350-02	1 5/8" Ø UPRIGHT
6	2	36-501-04	1 1/4" Ø DIAGONAL
7	1	35-369L	R&P MOUNTING BRACKET
8	1	35-369R	R&P MOUNTING BRACKET
9	2	60-501A	A-ARM MOUNTING TAB
10	2	60-501B	A-ARM MOUNTING TAB
11	2	60-501C	A-ARM MOUNTING TAB
12	2	60-501D	A-ARM MOUNTING TAB
13	12	63-074	1/2" HALF MOON
14	6	63-049	1/2" BOLT
15	6	63-135	1/2" NYLOCK NUT
16	4	60-352	MOUNTING TAB, NOTCHED

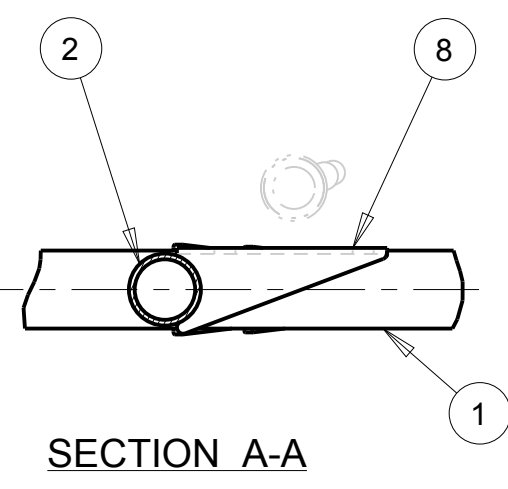
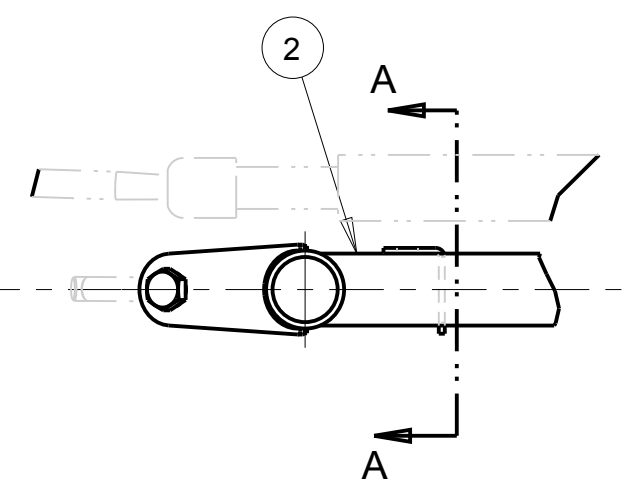
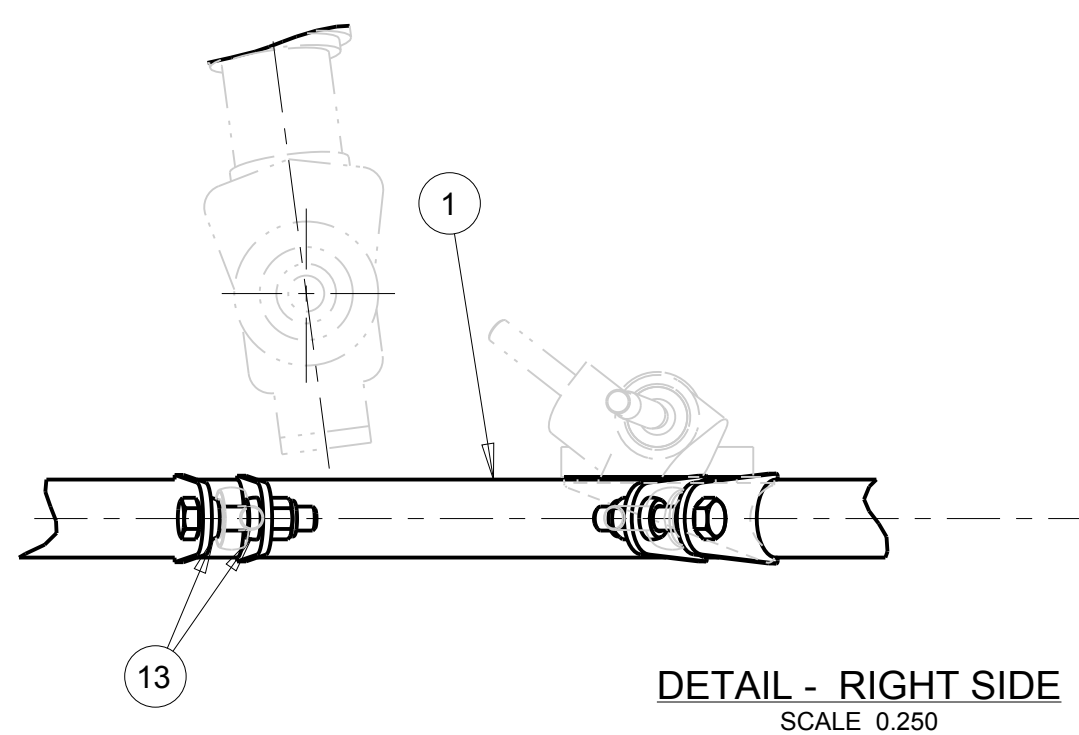
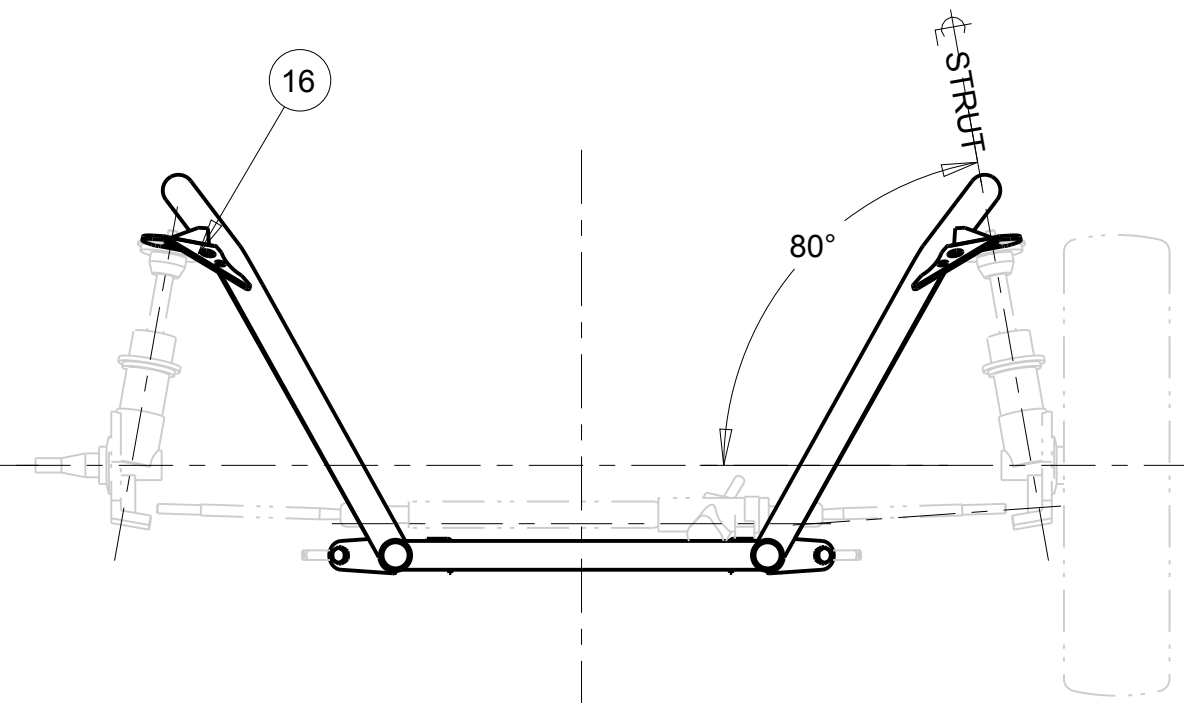
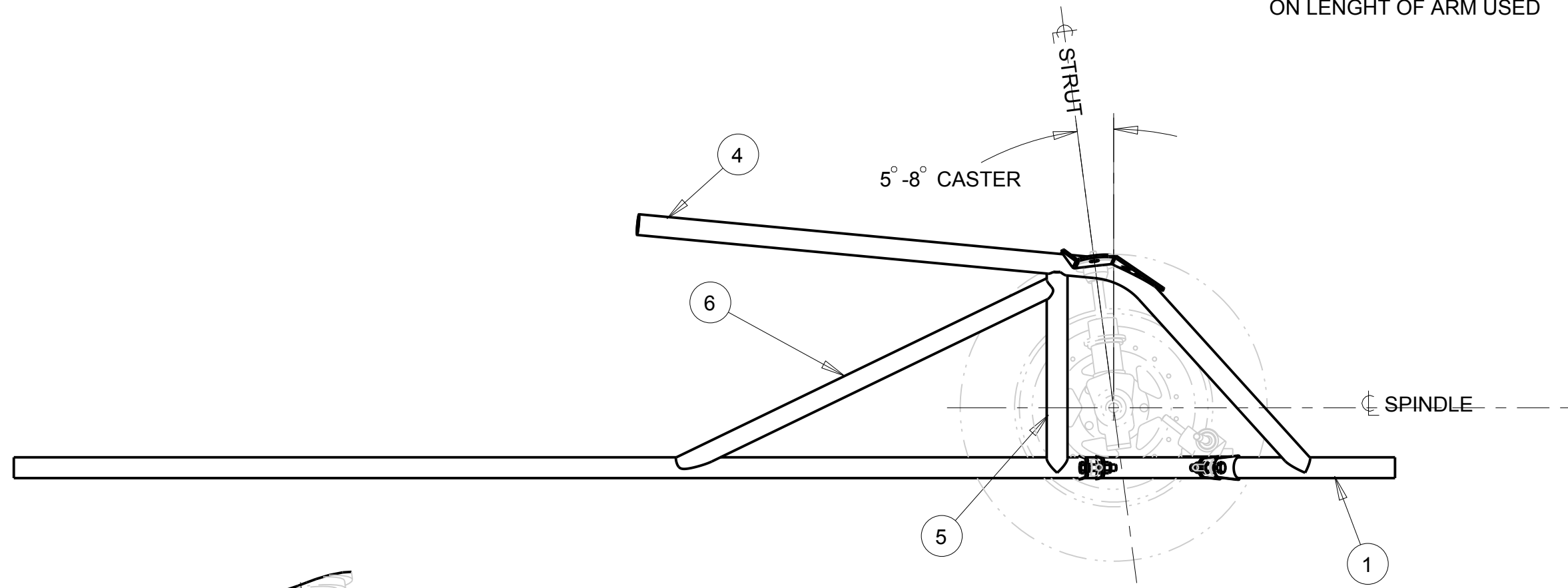
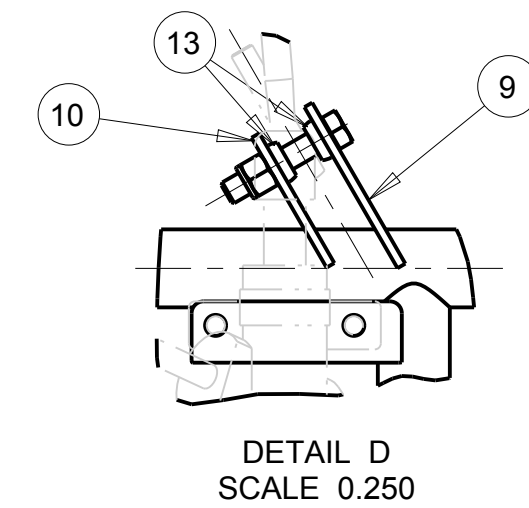
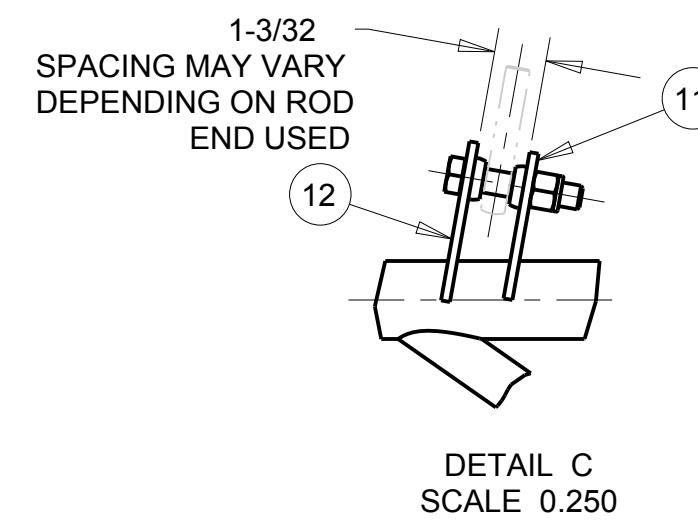


S & W RACE CARS
11 MENNONITE CHURCH RD
SPRING CITY, PA 19475

B	02JAN13	JEB	REV A-ARM TABS
A	29NOV11	JEB	REV FRAME RAIL WIDTH
0	16OCT03	JEB	INITIAL RELEASE
REV	DATE	DRN	DESCRIPTION
TOLERANCES: FRACTIONS ± 1/64 2 PLC DEC ± 0.01 3 PLC DEC ± 0.005 ANGLES ± 1°			ROUND TUBE STRUT MOUNTING KIT P/N 36-501E FOR EYE MOUNT STRUTS
MAT'L:			
SCALE 0.100			36-501E & 36-502E
			DRW No:36-501-1

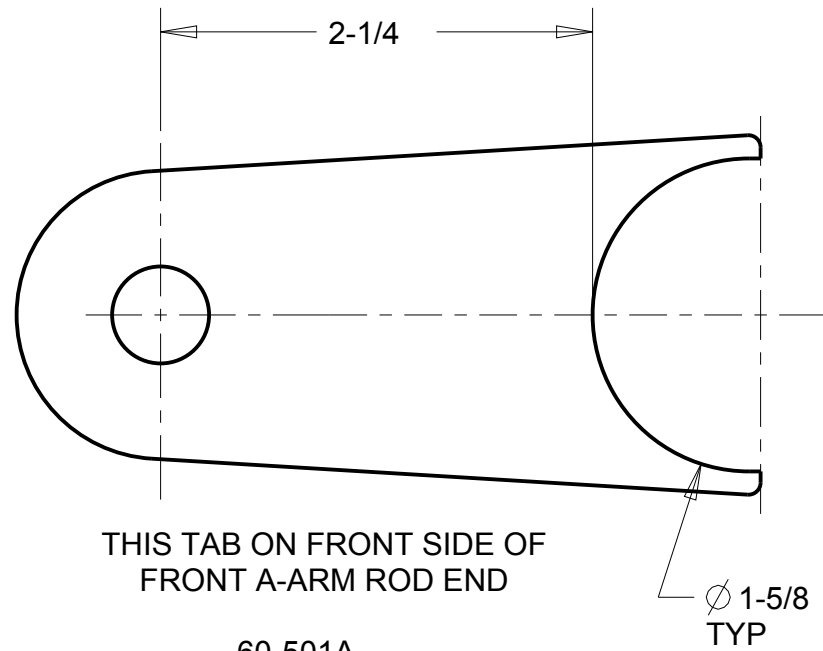


BILL OF MATERIALS			
ITEM	QTY	PART No.	DESCRIPTION
1	2	36-501-01	1 5/8" Ø FRAME RAIL
2	1	36-501-02	1 1/2" Ø CROSSMEMBER
3	2	36-501-03	1" Ø DIAGONAL
4	2	13-350-01	1 5/8" Ø FRONT FRAME SUPPORT
5	2	13-350-02	1 5/8" Ø UPRIGHT
6	2	36-501-04	1 1/4" Ø DIAGONAL
7	1	35-369L	R&P MOUNTING BRACKET
8	1	35-369R	R&P MOUNTING BRACKET
9	2	60-501A	A-ARM MOUNTING TAB
10	2	60-501B	A-ARM MOUNTING TAB
11	2	60-501C	A-ARM MOUNTING TAB
12	2	60-501D	A-ARM MOUNTING TAB
13	12	63-074	1/2" HALF MOON
14	6	63-049	1/2" BOLT
15	6	63-135	1/2" NYLOCK NUT
16	4	35-378 (OR CM)	UPPER STRUT MNTG BRKT



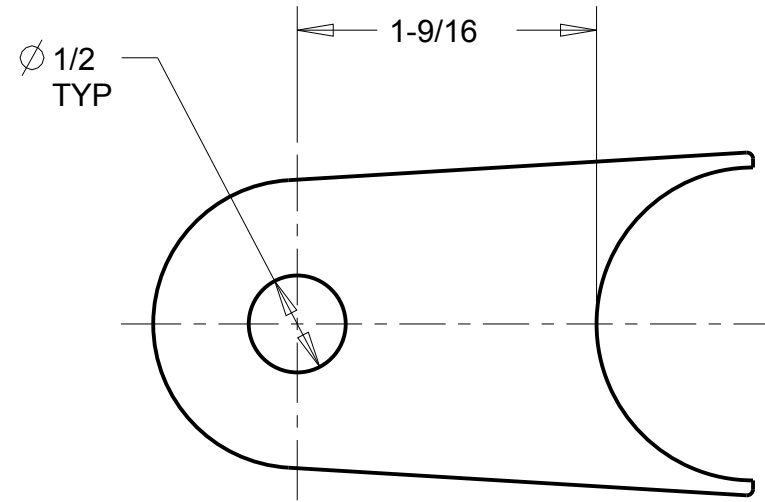
S & W RACE CARS
11 MENNONITE CHURCH RD
SPRING CITY, PA 19475

B	02JAN13	JEB	REV A-ARM TABS
A	29NOV11	JEB	REV FRAME RAIL WIDTH
0	16OCT03	JEB	INITIAL RELEASE
REV	DATE	DRN	DESCRIPTION
TOLERANCES: FRACTIONS ± 1/64 2 PLC DEC ± 0.01 3 PLC DEC ± 0.005 ANGLES ± 1°			ROUND TUBE STRUT MOUNTING KIT P/N 36-501S & 36-502S FOR STUD MOUNT STRUTS
MATL:			
SCALE 0.100			36-501S & 36-502S
			DRW No:36-501-2



THIS TAB ON FRONT SIDE OF FRONT A-ARM ROD END

60-501A
SCALE 1.000

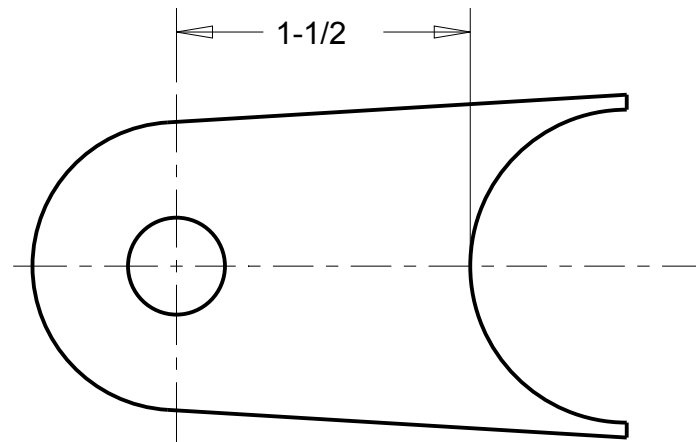


THIS TAB ON REAR SIDE OF FRONT A-ARM ROD END

60-501B
SCALE 1.000

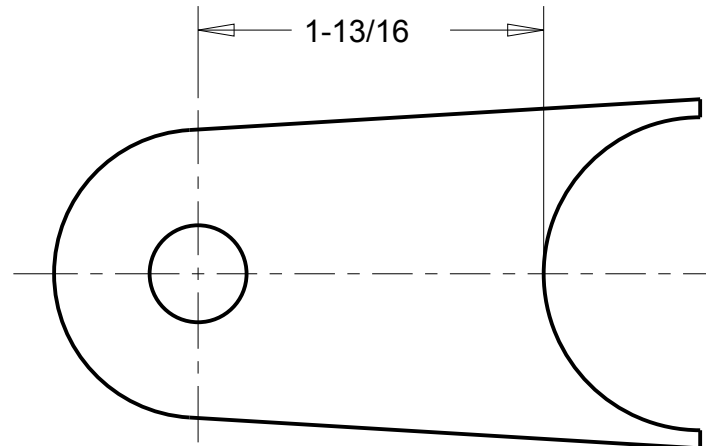
NOTE:

1. THE LOCATION OF THE STRUTS IS DETERMINED BY FRONT TRACK WIDTH.
2. THE LOCATION OF FRONT FRAME SUPPORT TUBES (ITEM #4) IS DETERMINED BY THE LOCATION OF THE TOP STRUT MOUNTS.
3. THE LOCATION OF THE RACK & PINION MOUNTS IS SET BY CENTERING THE RACK BETWEEN THE FRAME RAILS. USE THE TIE ROD BALL JOINTS TO FIND THE CENTER OF THE RACK.
4. THE UPRIGHTS (ITEM #5) CAN BE ALIGNED WITH THE FRONT OF THE ENGINE BLOCK SO THEY CAN BE USED AS THE FRONT MOTOR PLATE MOUNTS.



THIS TAB ON FRONT SIDE OF REAR A-ARM ROD END

60-501C
SCALE 1.000

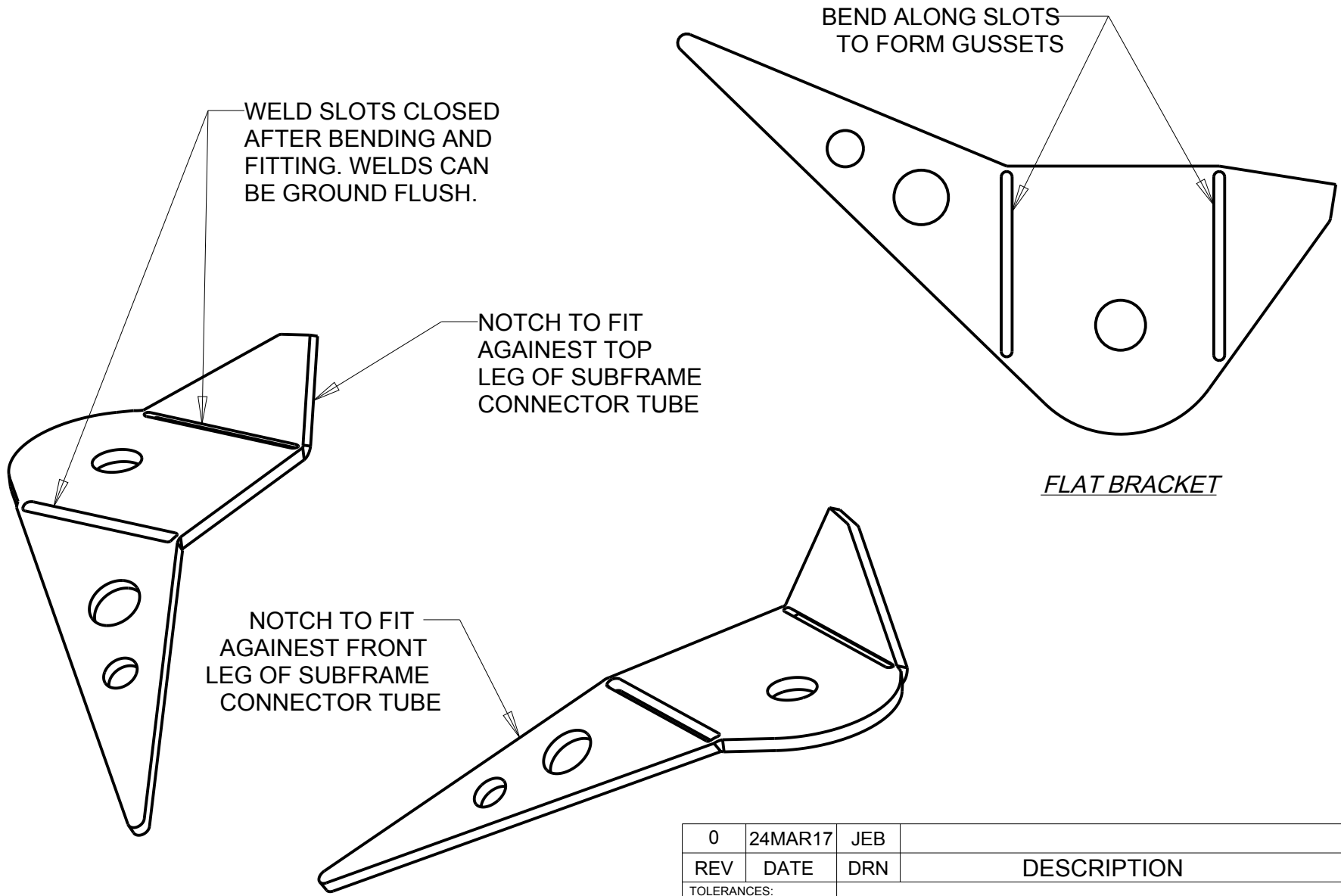


THIS TAB ON REAR SIDE OF REAR A-ARM ROD END

60-501D
SCALE 1.000

S & W RACE CARS
11 MENNONITE CHURCH RD
SPRING CITY, PA 19475

0	02JAN13	JEB	INITIAL RELEASE
REV	DATE	DRN	DESCRIPTION
TOLERANCES: FRACTIONS ±1/64 2 PLC DEC ±0.01 3 PLC DEC ±0.005 ANGLES ±1°			ROUND TUBE STRUT FRAME RAIL KIT A-ARM MOUNTING TABS
MAT'L:			
PART No:			DRW No:36-501-3



FLAT BRACKET

SCALE 0.500

0	24MAR17	JEB	
REV	DATE	DRN	DESCRIPTION
TOLERANCES: FRACTIONS $\pm 1/32$ 2 PLC DEC ± 0.01 3 PLC DEC ± 0.005 ANGLES $\pm 0.5^\circ$			STUD MOUNT STRUT MOUNT BRACKET GENERAL ARRANGEMENT
MAT'L:			
PART No: 35-379_GA			DRW No: 36-501 - 4

S & W RACE CARS
 11 MENNONITE CHURCH RD
 SPRING CITY, PA 19475