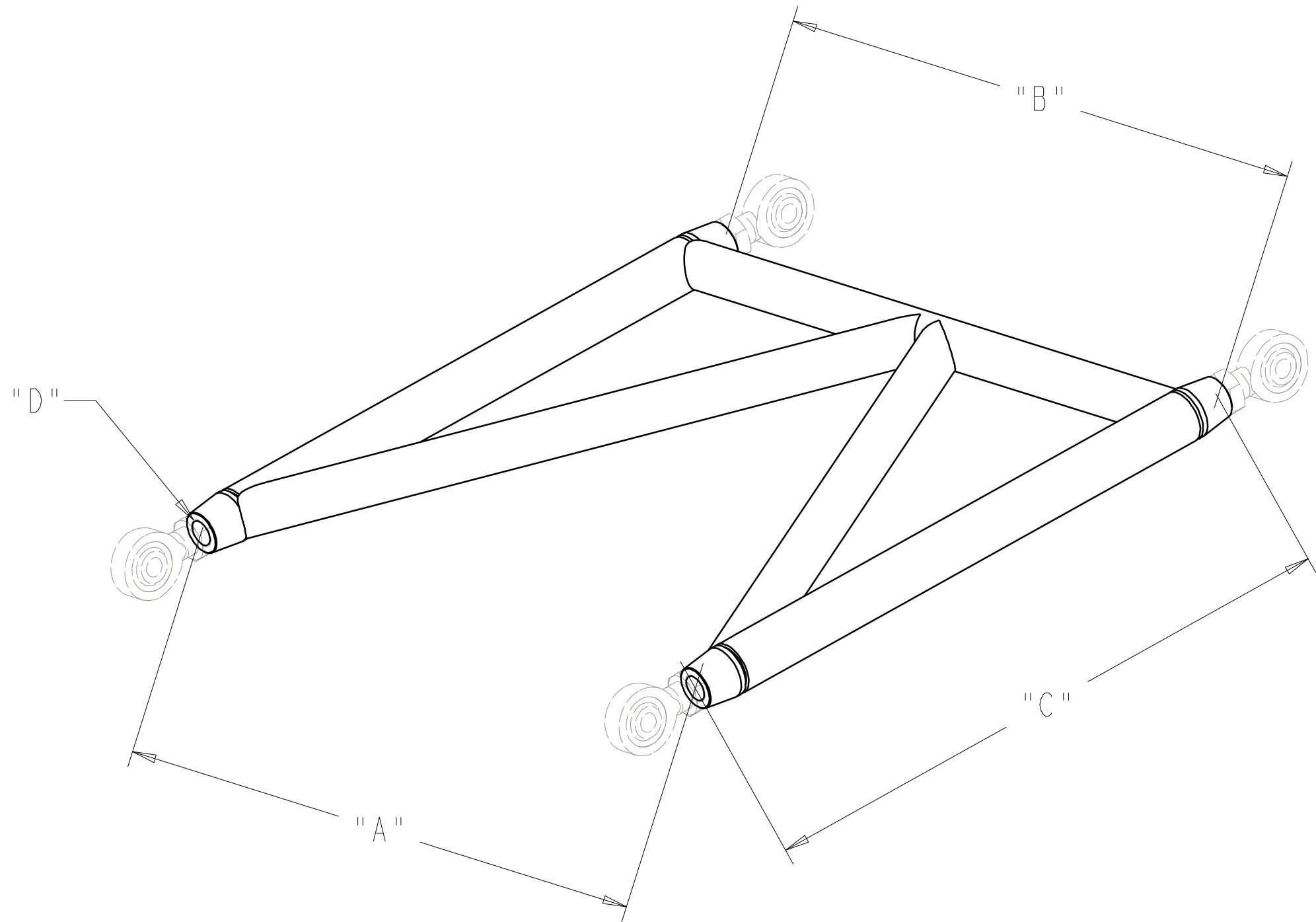


40-142-2



A = -----
 B = -----
 C = -----
 D = -----

0	03FEB11	JEB	INITIAL RELEASE
REV	DATE	DRN	DESCRIPTION
TOLERANCES: FRACTIONS ±1/32 2 PLC DEC ±0.01 3 PLC DEC ±0.005 ANGLES ±0.5°			40-1410 DATA SHEET SWING ARM TO CUSTOMER SPEC'S
MAT'L:			
PART No: 40-1410			DRW No: 40-142 - 2

S & W RACE CARS
 11 MENNONITE CHURCH RD
 SPRING CITY, PA 19475