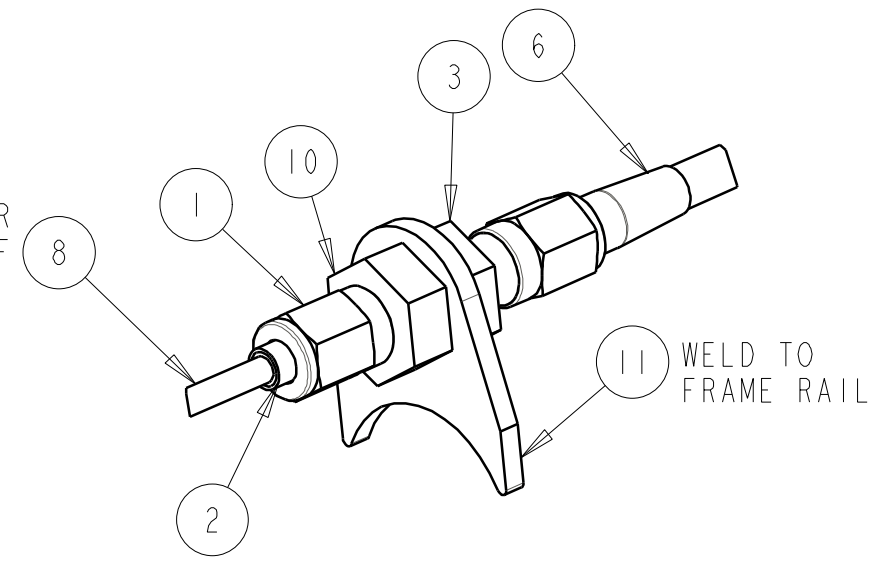
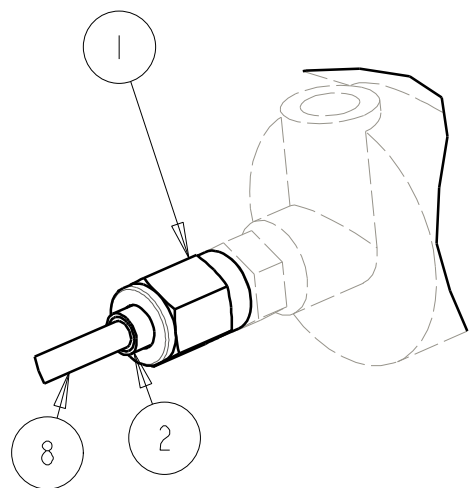


BILL OF MATERIALS			
ITEM	QTY	PART No.	DESCRIPTION
1	2	94-3591	TUBE NUT
2	2	94-3667-1	TUBE SLEEVE
3	1	94-2770	BULK HEAD FITTING
4	1	94-4330	BULKHEAD TEE
5	2	94-5603	15" BRAKE LINE
6	1	94-5502	12" BRAKE LINE
7	1	05-108	BRAKE LINE TEE MNTG BRKT
8	1	55-805	3/16" BRAKE LINE
9	2	94-4244	BRAKE LINE ADAPTER
10	2	94-4387	BULKHEAD NUT
11	2	60-308	MOUNTING TAB

DOUBLE FLAIR  
BOTH ENDS OF  
HARD LINE

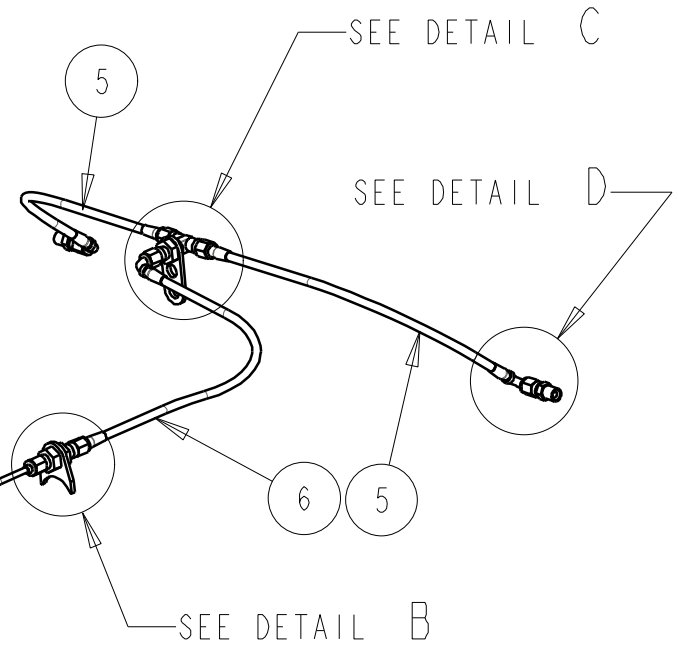
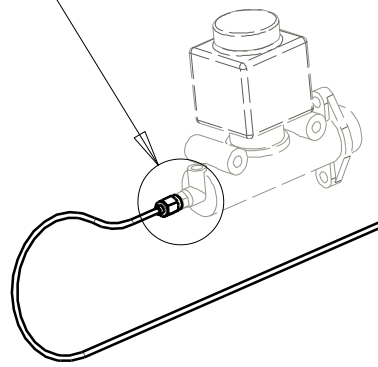


DETAIL B  
SCALE 1.000



DETAIL A  
SCALE 1.000

SEE DETAIL A



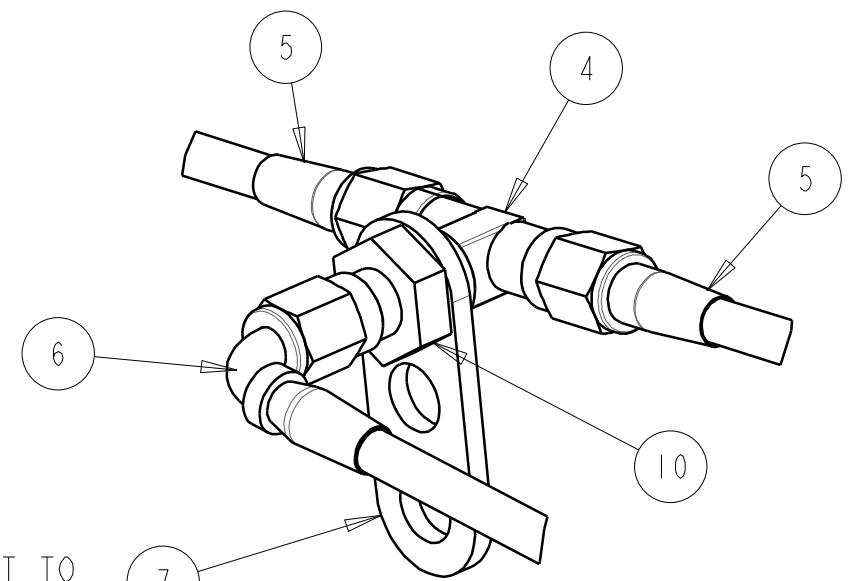
DETAIL C  
SCALE 1.000

BOLT TO  
FRONT OF  
REAR HOUSING

SEE DETAIL C

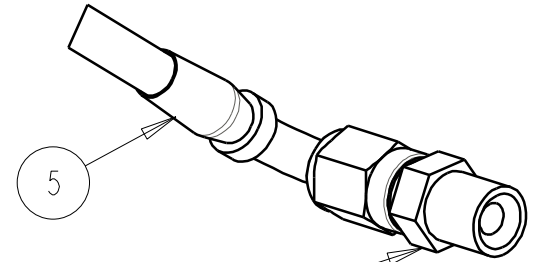
SEE DETAIL D

SEE DETAIL B



DETAIL D  
SCALE 1.000

SCREW INTO  
BRAKE CALIPER



0	11OCT06	JEB	INITIAL RELEASE
REV	DATE	DRN	DESCRIPTION
TOLERANCES: FRACTIONS ±1/32 2 PLC DEC ±0.01 3 PLC DEC ±0.005 ANGLES ±0.5°			BRAKE LINE KIT, 4-LINK DRAGSTER GENERAL ARRANGEMENT
MAT'L:			
PART No: 94-108			DRW No: 05-108 - 1

S & W RACE CARS  
11 MENNONITE CHURCH RD  
SPRING CITY, PA 19475