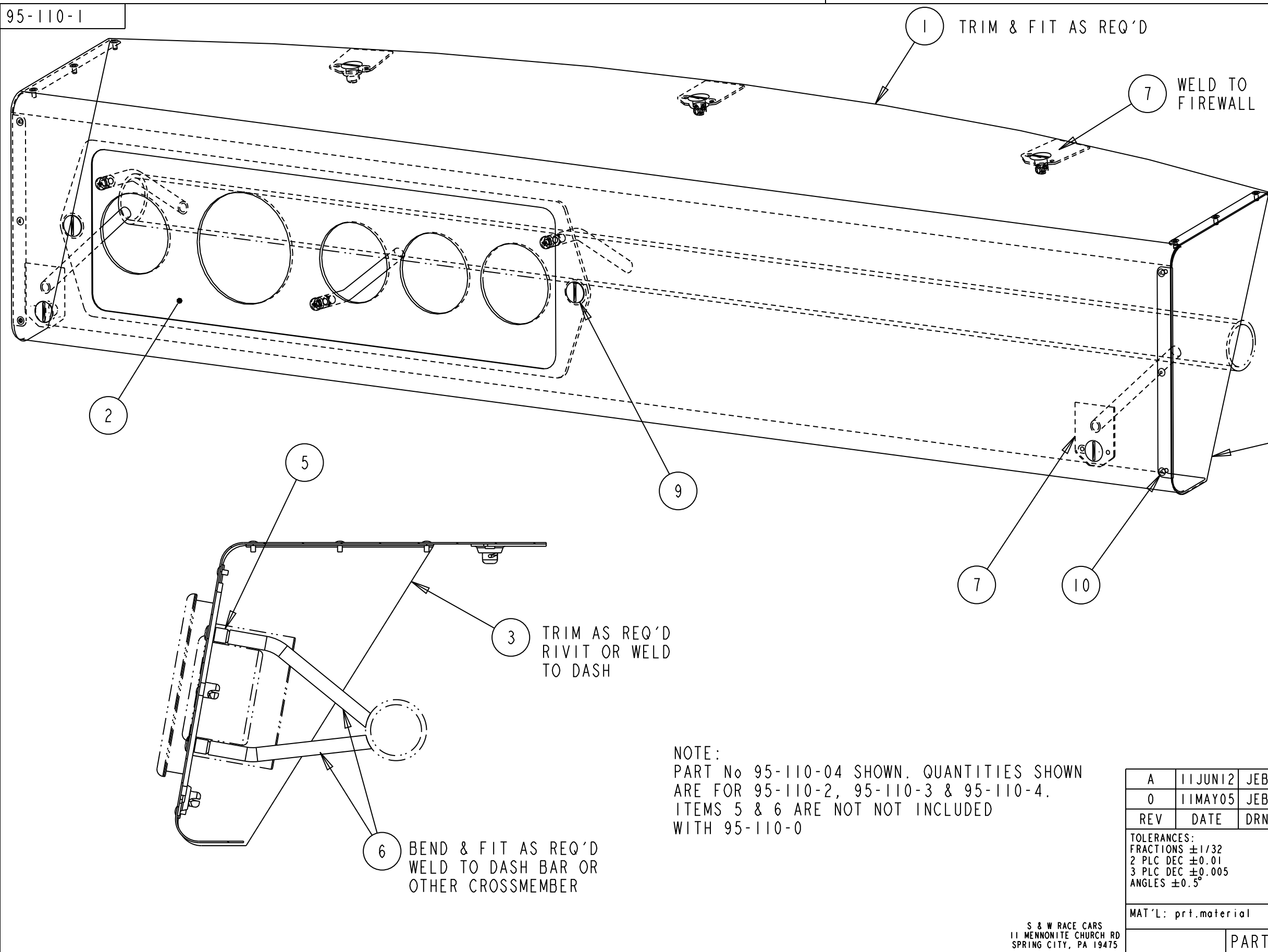


95-110-1



OF MATERIALS		
ITEM		DESCRIPTION
1	1	DASH
2	1	GAUGE PANEL
3	1	END CAP, LEFT
4	1	END CAP, RIGHT
5	3	THREADED TUBE END
6	1	3/8 ϕ TUBE x 3FT
7	5	SPRING PLATE - STD
8	5	DZUS SPRING (NOT SHOWN)
9	7	DZUS BUTTON
10	34	RIVET

NOTE:
 PART No 95-110-04 SHOWN. QUANTITIES SHOWN
 ARE FOR 95-110-2, 95-110-3 & 95-110-4.
 ITEMS 5 & 6 ARE NOT NOT INCLUDED
 WITH 95-110-0

REV	DATE	DRN	DESCRIPTION
A	11JUN12	JEB	REV PLATE LOC
0	11MAY05	JEB	INITIAL RELEASE

TOLERANCES:
 FRACTIONS $\pm 1/32$
 2 PLC DEC ± 0.01
 3 PLC DEC ± 0.005
 ANGLES $\pm 0.5^\circ$

MAT'L: prt.material

DOOR CAR DASH/GAUGE PANEL
 GENERAL ARRANGEMENT

PART No: 95-110

DRW No: 95-110 - 1

S & W RACE CARS
 11 MENNONITE CHURCH RD
 SPRING CITY, PA 19475