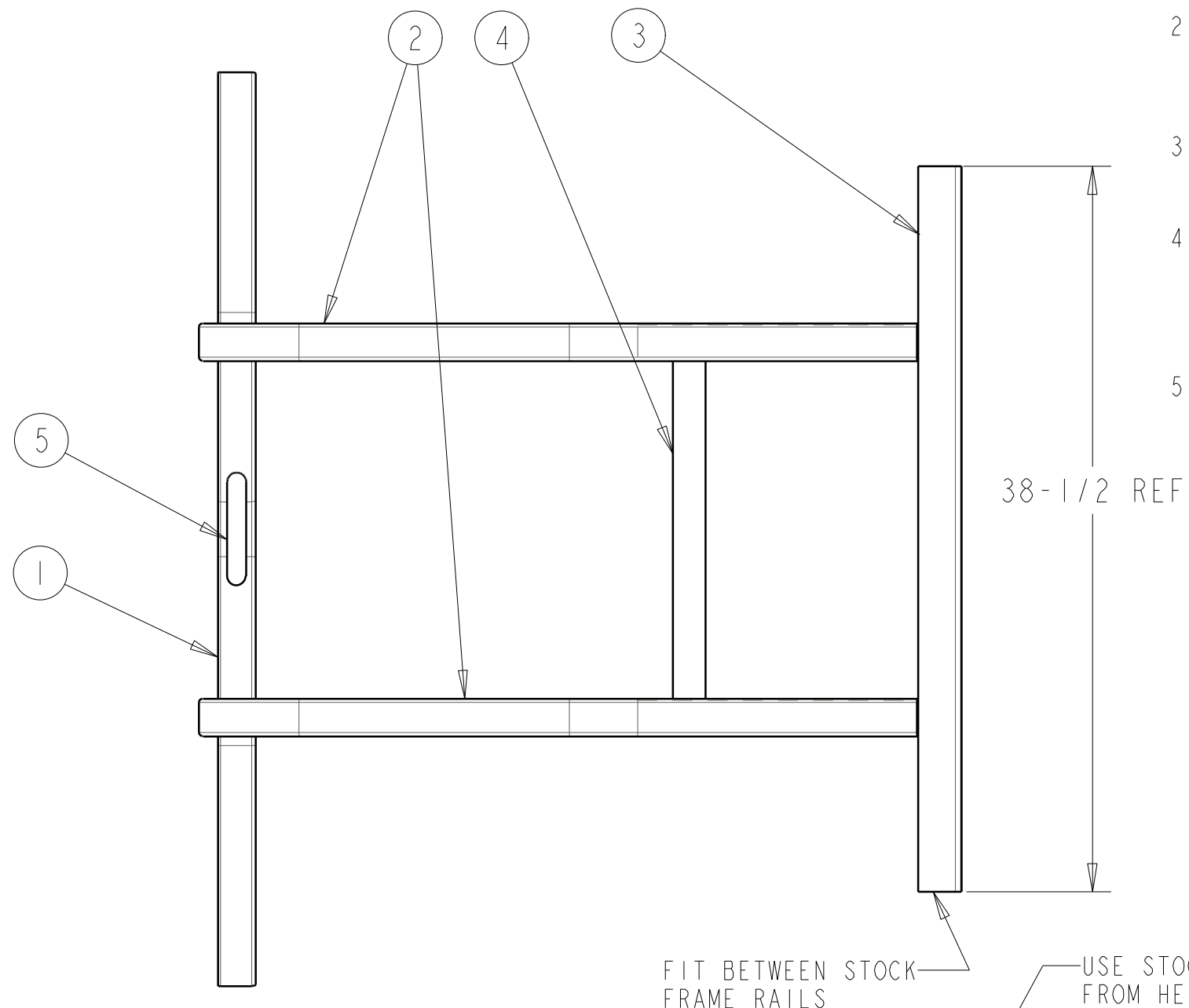
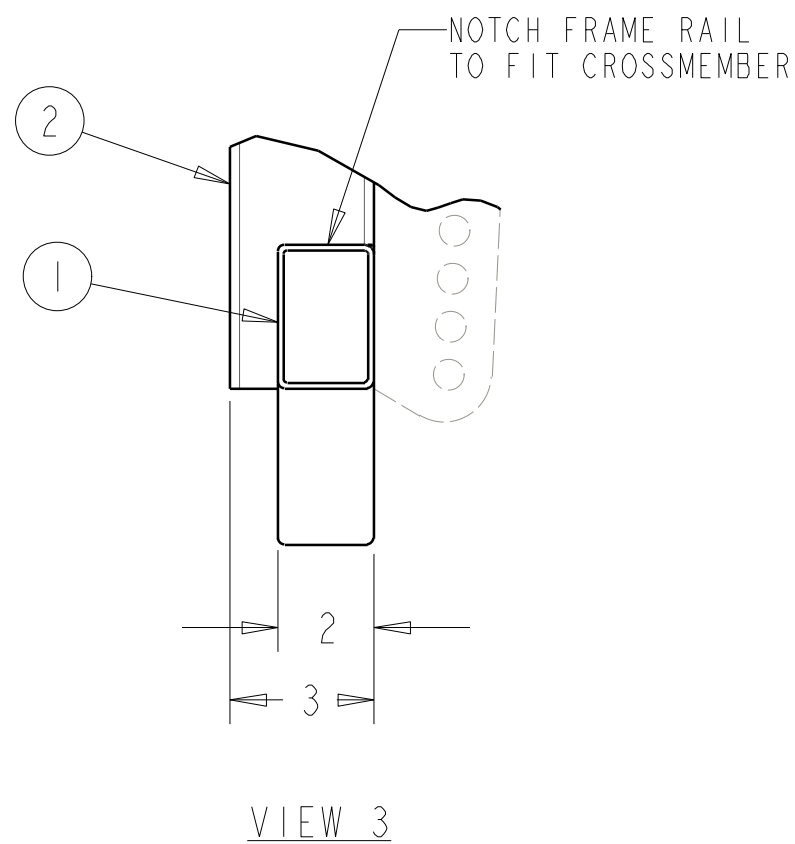
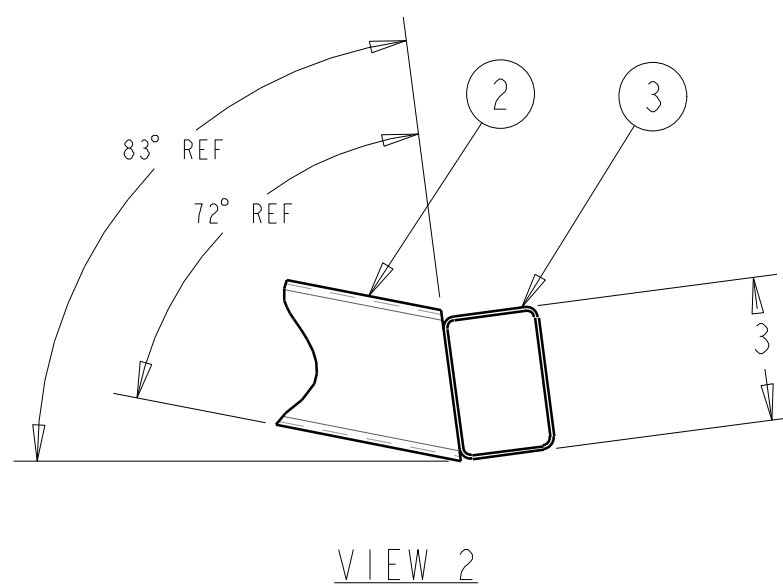
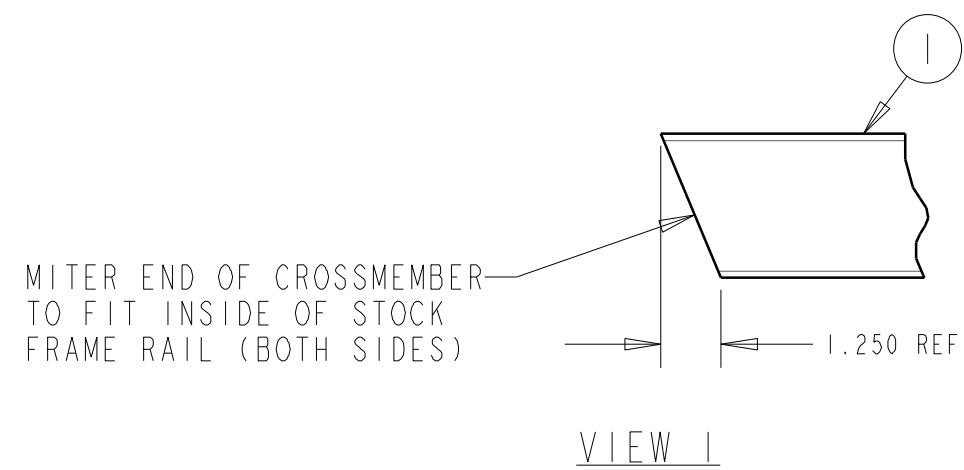
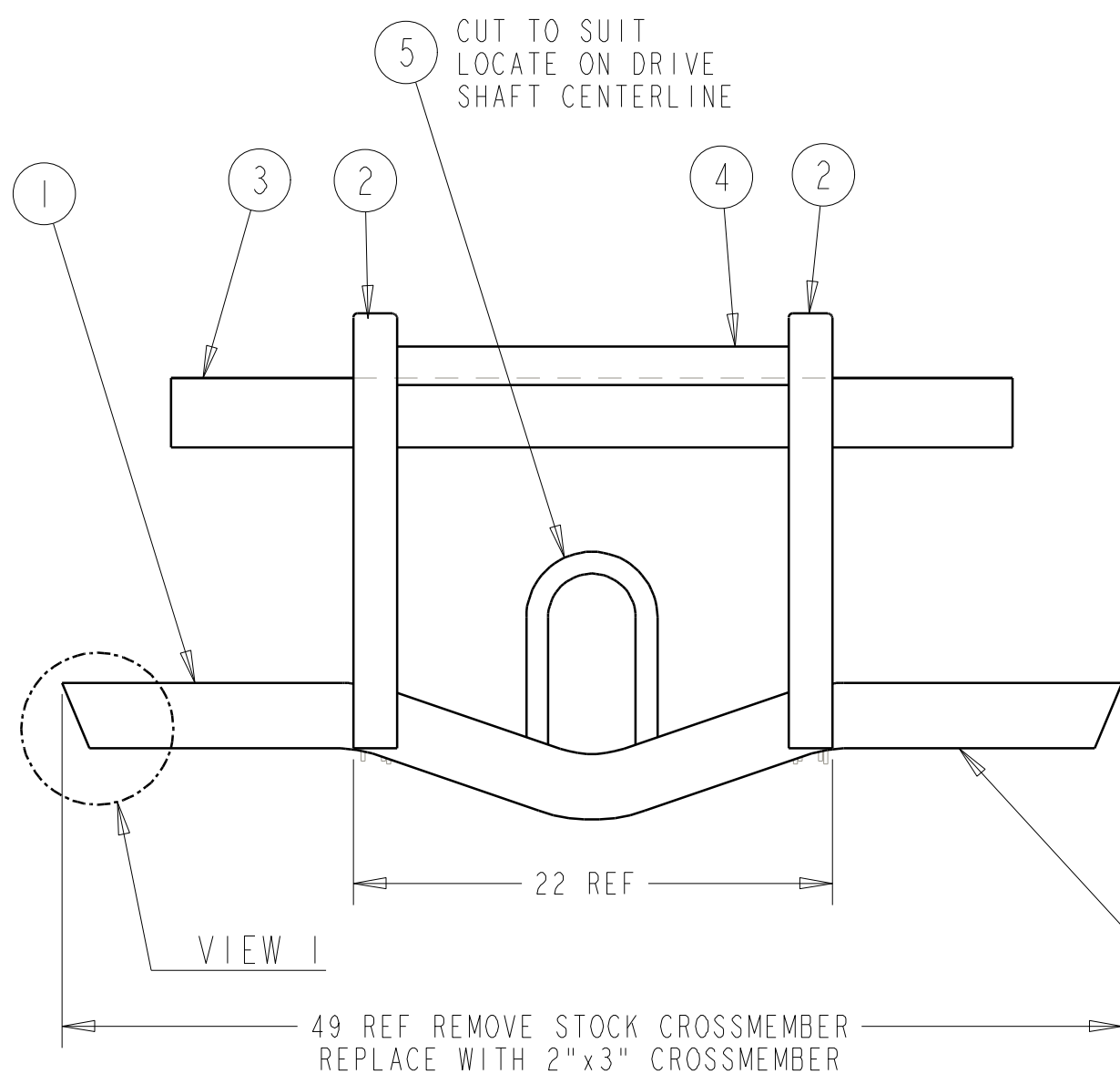


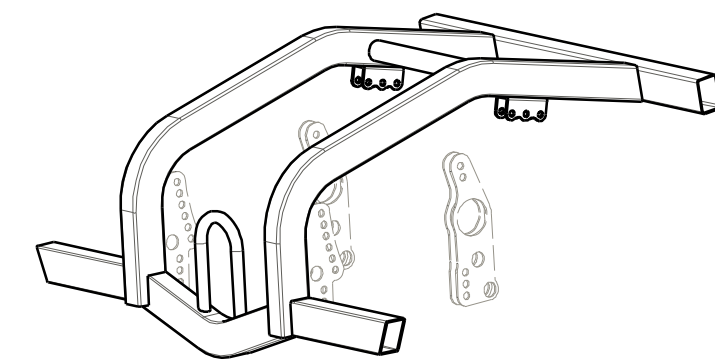
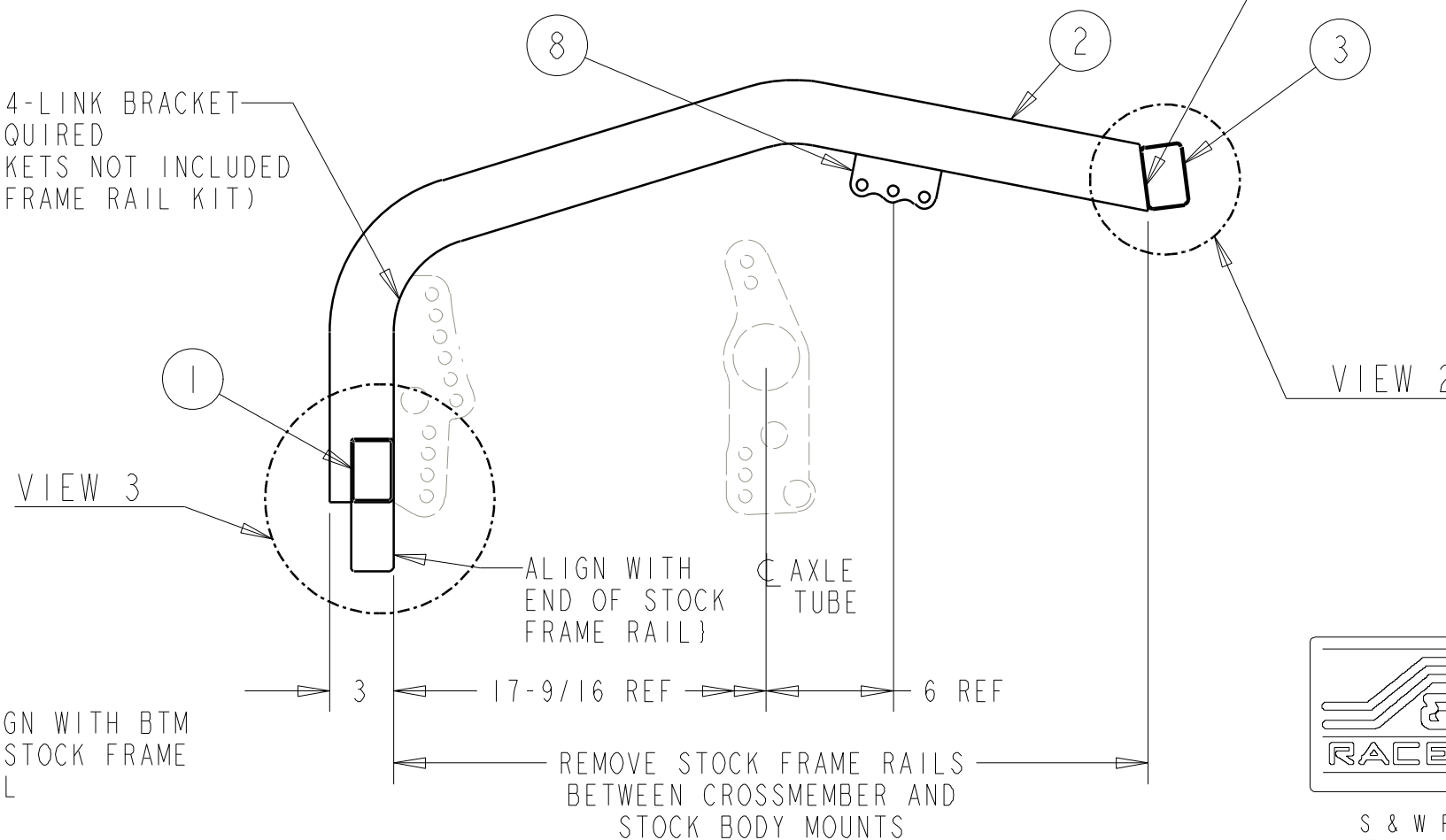
BILL OF MATERIALS				
ASSY	ITEM	QTY	MATERIAL	DESCRIPTION
	-			
	1	1	40-209-3	FRONT CROSSMEMBER, 2 X 3 TUBING
	2	2	10-011-01	FRAME RAIL, 2 X 3 TUBING
	3	1	10-011-02	REAR CROSSMEMBER, 2 X 3 TUBING
	4	1	10-011-03	SHOCK CROSSMEMBER, 1 5/8"Ø TUBING
	5	1	14-117-1	DRIVE SHAFT LOOP
	6			
	7			
	8	2	60-358	SHOCK MOUNT, 3-POSITION



- NOTE:
1. ALL "REF" DIMENSION ARE TO BE VERIFIED FOR EACH INSTALLATION AND ADJUSTED AS REQUIRED.
  2. INDIVIDUAL COMPONENTS ARE SUPPLIED LONGER THAN REQUIRED. TRIM FRAME RAILS, CROSSMEMBERS & DRIVE SHAFT LOOP AS REQUIRED.
  3. FOUR-LINK KIT (P/N 40-122) SHOWN IS NOT INCLUDED WITH FRAME KIT.
  4. THIS KIT IS DESIGNED FOR USE WITH THE FOLLOWING S&W COMPONENTS;  
40-122, 4-LINK REAR SUSPENSION KIT  
40-222, LOWER ADJUSTABLE REAR SHOCK MOUNTING K
  5. VERTICAL LOCATION OF AXLE TUBE  $\phi$  IS DETERMINED BY TIRE SIZE AND GROUND CLEARANCE.



TRIM 4-LINK BRACKET AS REQUIRED (BRACKETS NOT INCLUDED WITH FRAME RAIL KIT)



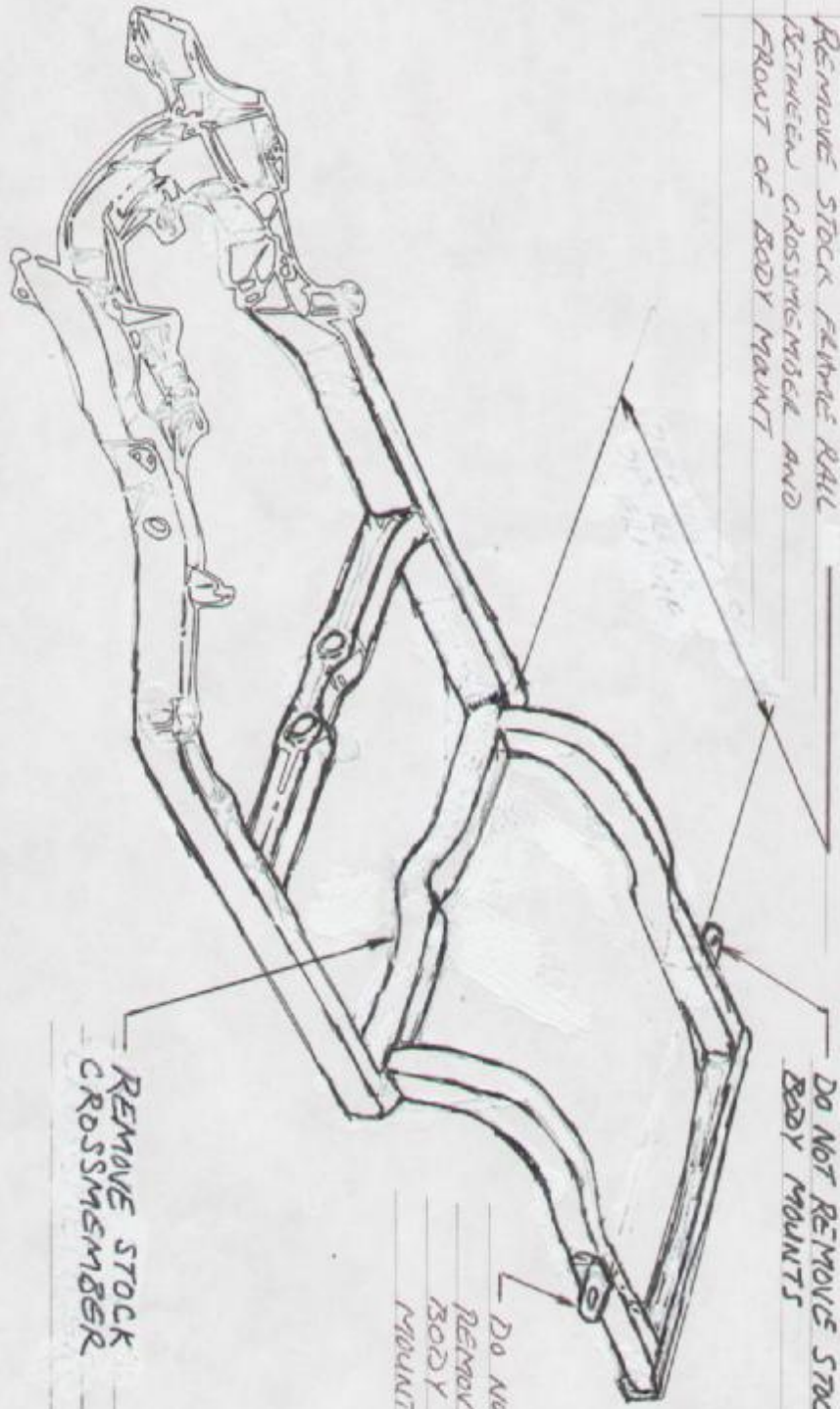
S & W RACE CARS  
11 MENNONITE CHURCH RD  
SPRING CITY PA 19475

REV	DATE	DRN	DESCRIPTION
C	12MAR08	JEB	ADDED NOTES
B	01JUL99	JEB	ADD REF DIMENSIONS & NOTES
A	16MAR99	JEB	DELETE ITEM 6 & 7, ADD ITEM
0	25JAN99	JEB	INITIAL RELEASE

TOLERANCES: FRACTIONS $\pm 1/64$ 2 PLC DEC $\pm 0.01$ 3 PLC DEC $\pm 0.005$ ANGLES $\pm 1^\circ$	4-LINK FRAME RAIL KIT '63 THRU '81 CORVETTE
MAT'L:	
PART No: 10-011	DRW No: 10

REMOVE STOCK FRAME RAIL  
BETWEEN CROSSMEMBER AND  
FRONT OF BODY MOUNT

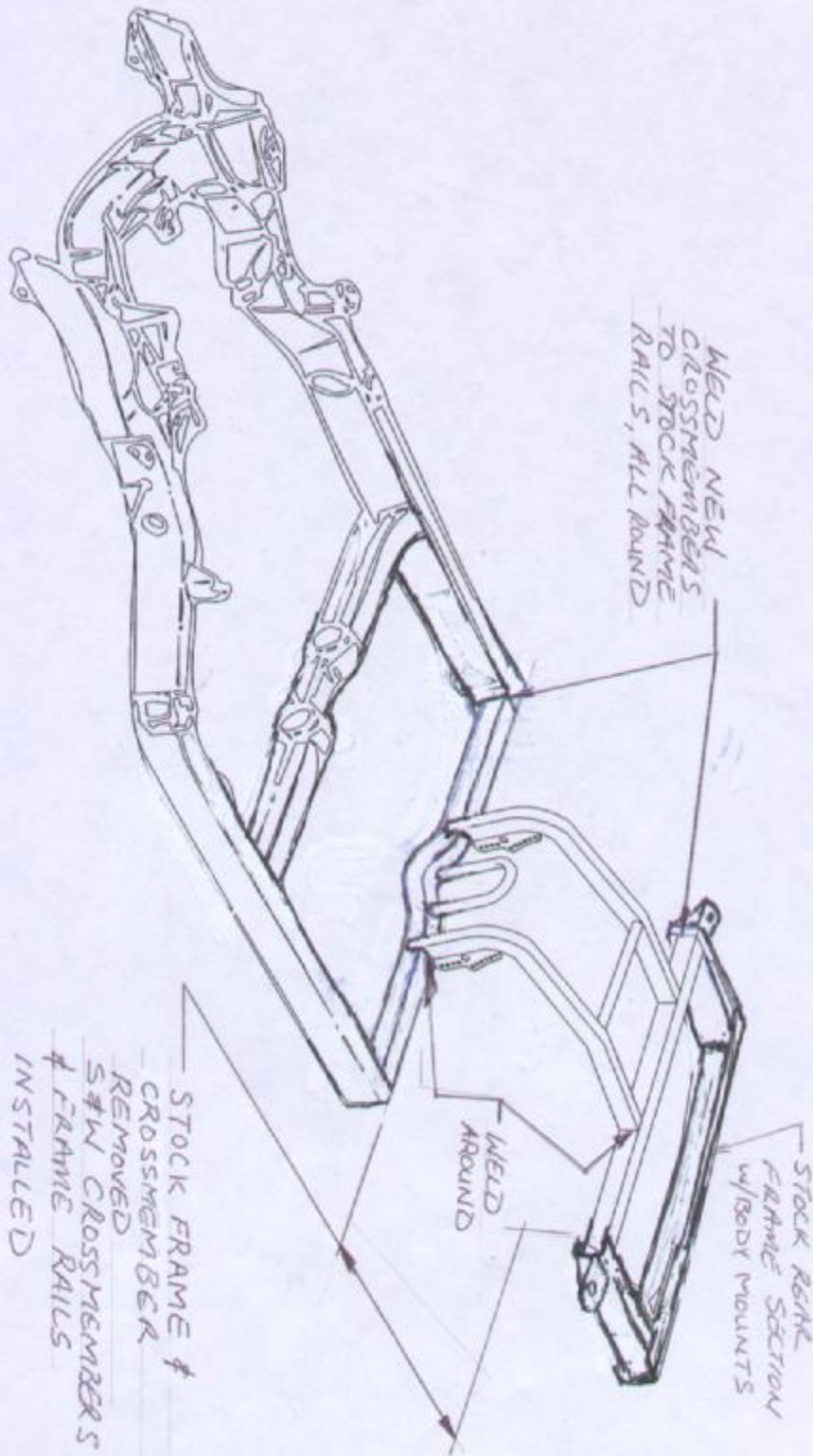


LEAVE BODY BOLTED TO STOCK MOUNTS  
WHEN CUTTING OUT STOCK CROSSMEMBER  
AND FRAME RAILS & WHEN FITTING NEW  
CROSSMEMBERS & FRAME RAILS

10-011

2003

END 6



10-011

3 of 3