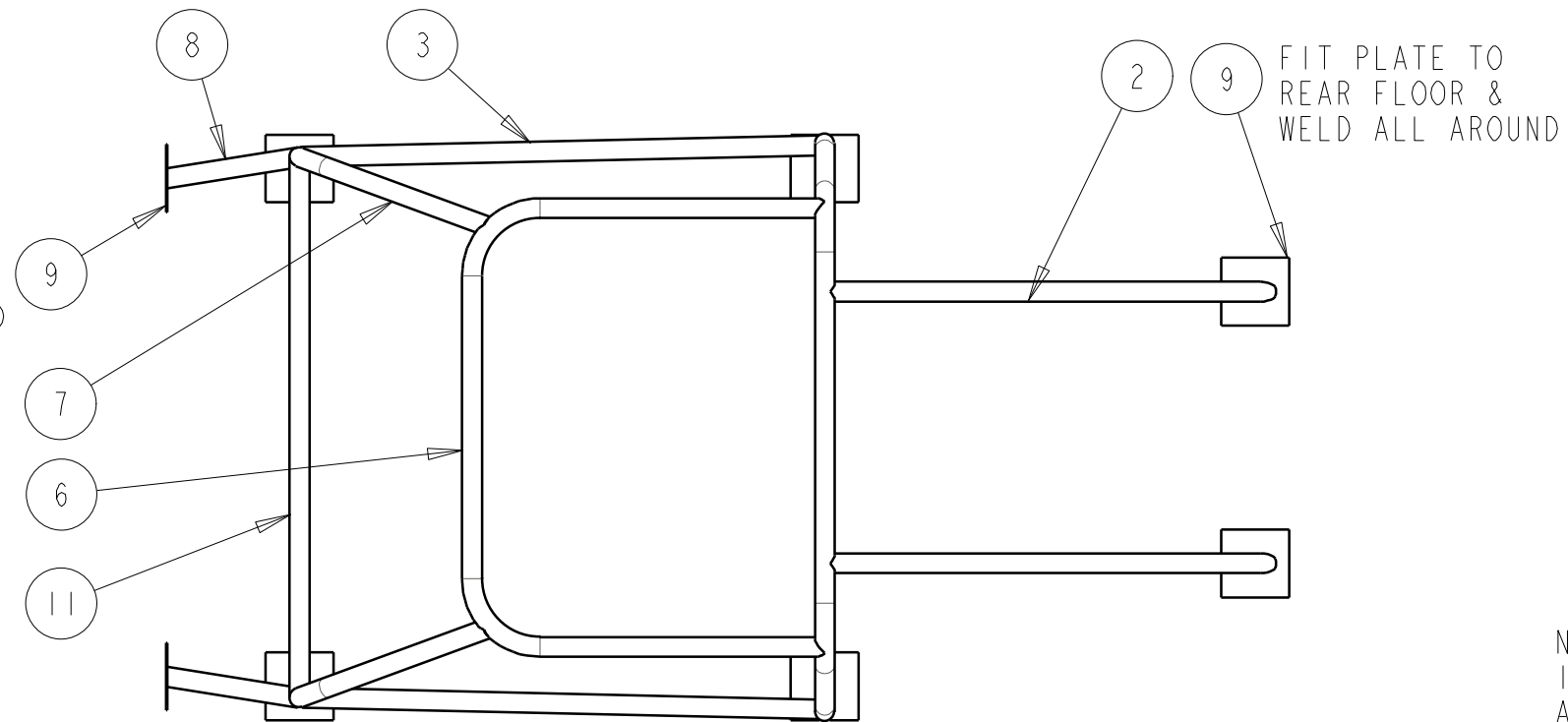


11-5594DC-1

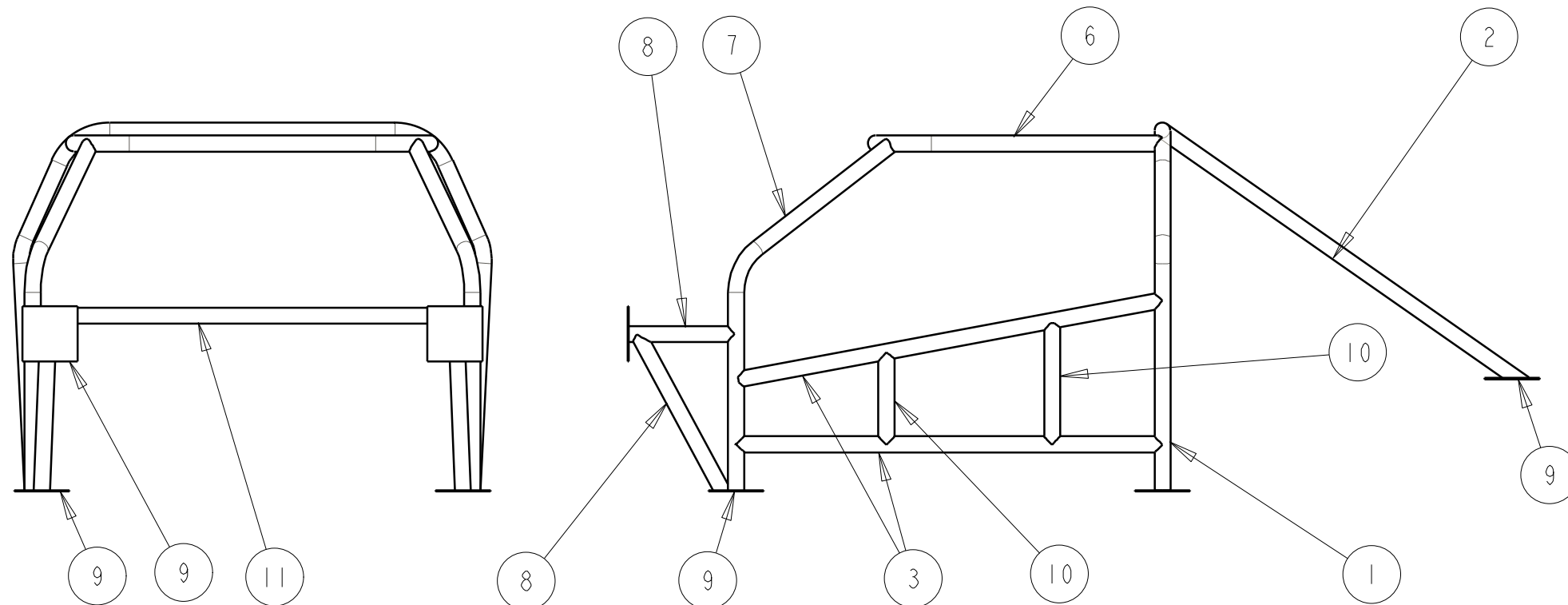
FIT PLATES TO FIREWALL WELD ALL ROUND



IT IS THE RESPONSIBILITY OF THE INSTALLER TO INSURE THAT ROLL CAGE MEETS THE LATEST SANTIONING BODY SPECIFICATIONS

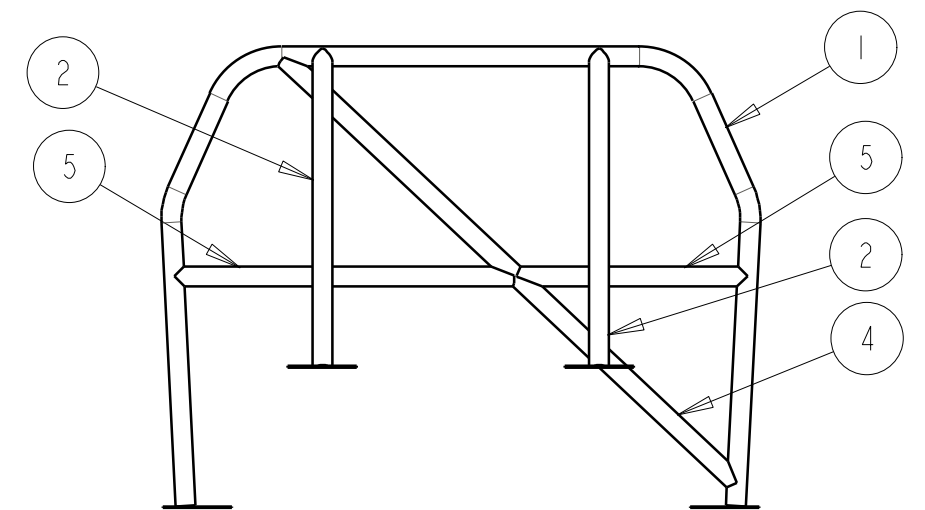
BILL OF MATERIALS		
ITEM	QTY	PART No.
1	1	MAIN HOOP
2	2	BACK BAR
3	4	SIDE BAR
4	1	DIAGONAL, MAIN HOOP
5	2	CROSSMEMBER, MAIN HOOP
6	1	ROOF HOOP
7	2	W/S RUNNER
8	2	FIREWALL BRACE TUBE (CUT TO FIT)
9	6	FLOOR PLATE
10	4	UPRIGHT, DOOR BAR
11	1	DASH BAR

NOTE:
 1. REFER TO SANCTIONING BODY RULES FOR APPROVED ROLL CAGE INSTALATION METHODS & REGULATIONS.
 2. SOME Pc's NOT SHOWN IN ALL VIEWS.
 3. ALL JOINTS TO BE WELDED ALL ROUND



FRONT VIEW

FIT PLATES TO FLOOR & WELD ALL ROUND



REAR VIEW

REV	DATE	DRN	DESCRIPTION
B	26APR13	JEB	ADDED F/W TUBES & DASH BAR
A	06JUL10	JEB	ADD DOOR BARS & UPRIGHTS

S & W RACE CARS
 11 MENNONITE CHURCH RD
 SPRING CITY, PA 19475

REV	DATE	DRN	DESCRIPTION
0	22MAY07	JEB	INITIAL RELEASE
89-94 240SX DRIFT CAR ROLL CAGE GENERAL ARRANGEMENT			
PART No: 11-5594DC			DRW No: 11-5594DC - 1