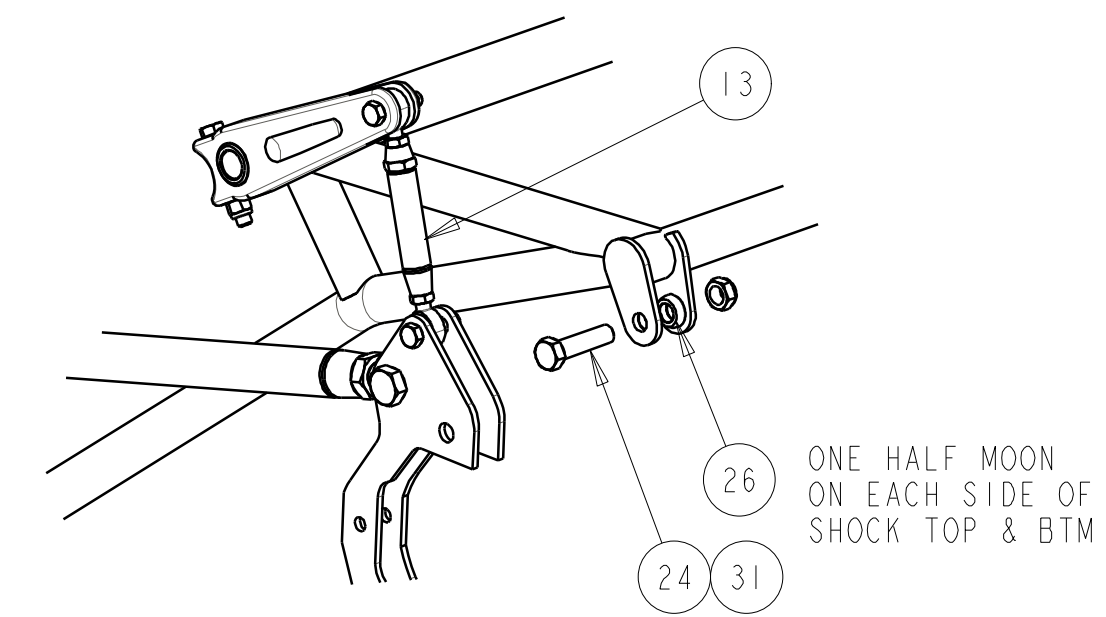
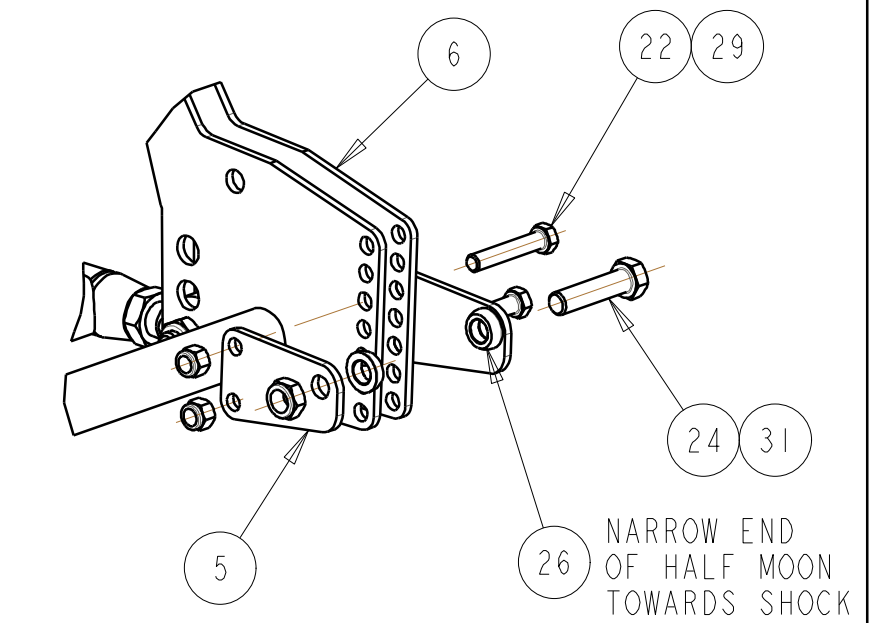


SECTION B-B



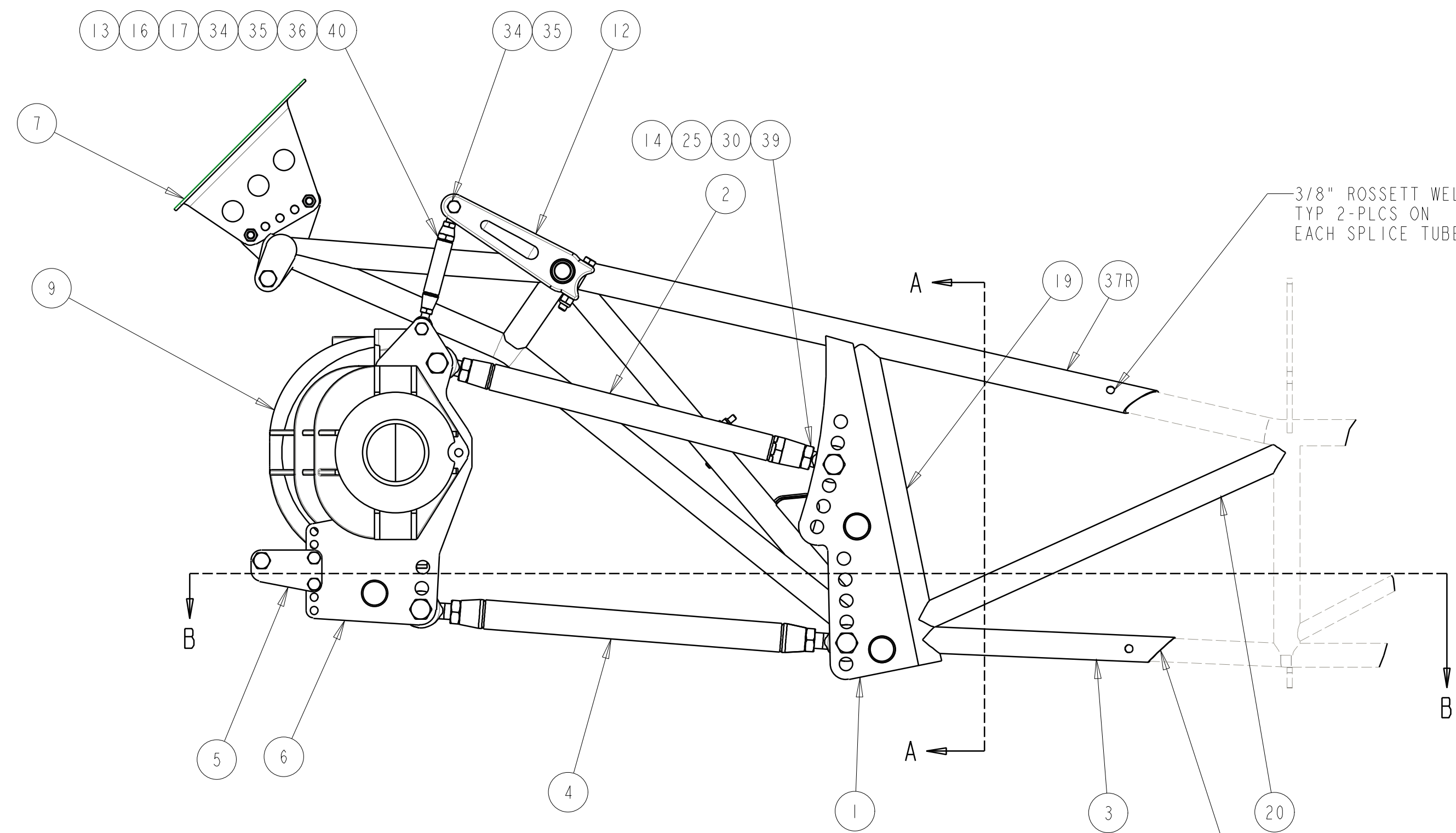
UPPER SHOCK MOUNT
TORSION BAR LINK

ONE HALF MOON
ON EACH SIDE OF
SHOCK TOP & BTM



LOWER SHOCK MOUNT

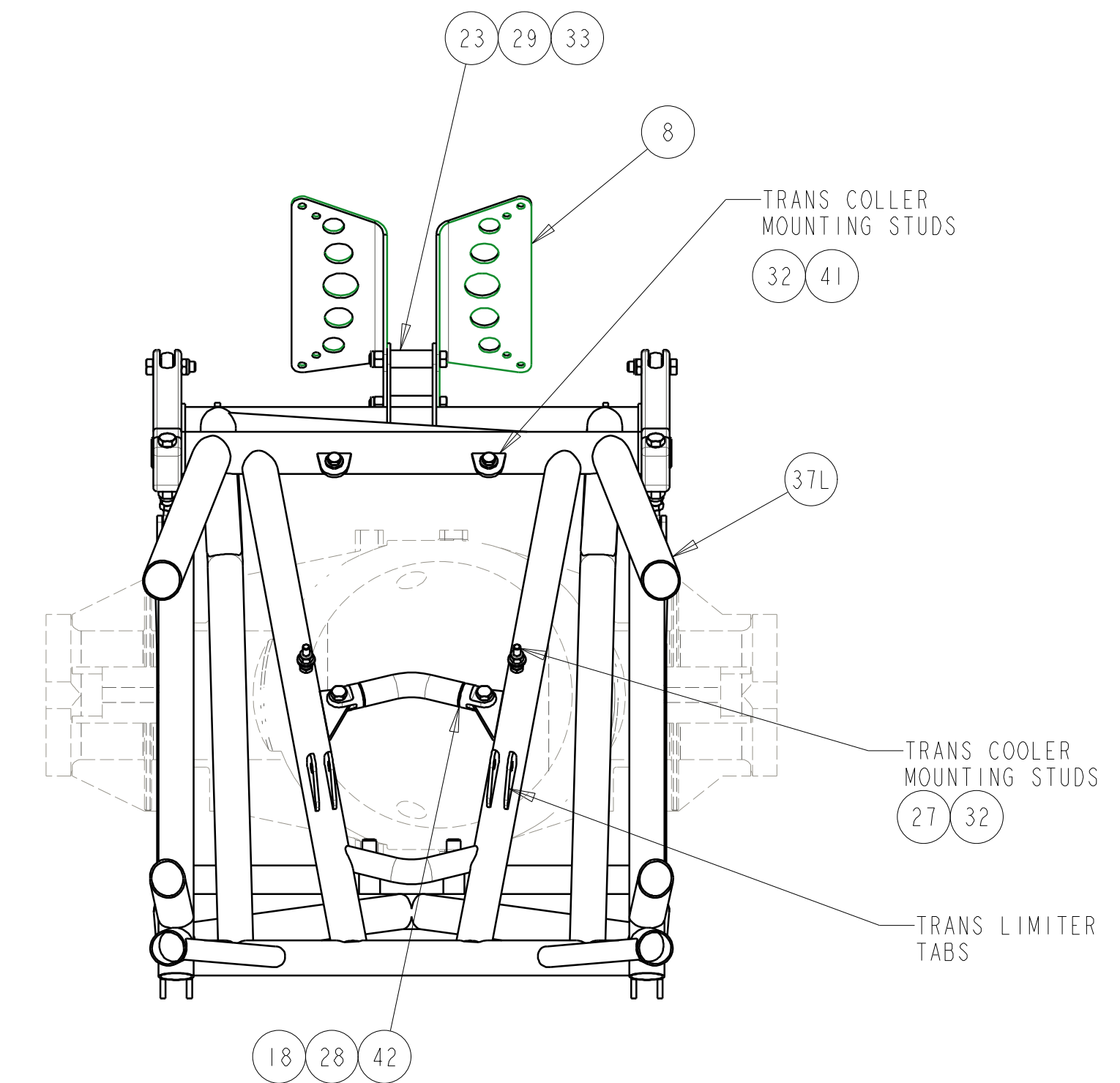
NARROW END
OF HALF MOON
TOWARDS SHOCK



SECTION A-A

3/8" ROSSETT WELD
TYP 2-PLCS ON
EACH SPLICE TUBE

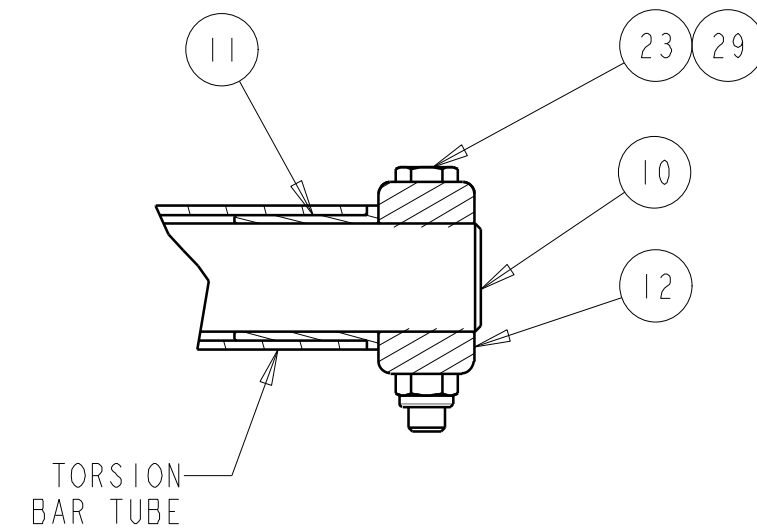
WELD ALL ROUND
TYP ALL SPLICE
JOINTS



TRANS COLLAR
MOUNTING STUDS
(32, 41)

TRANS COOLER
MOUNTING STUDS
(27, 32)

TRANS LIMITER
TABS



TORSION
BAR TUBE

SECTION C-C
TORSION BAR
SCALE 0.500

REV	DATE	DRN	DESCRIPTION
A	27AUG07	JEB	CHANGE TO SWING ARM, DRAW IN PRO-E
			DRAGSTER SWING ARM CONVERSION GENERAL ARR'G'T

TOLERANCES:
FRACTIONS ±1/32
2 PLC DEC ±0.01
3 PLC DEC ±0.005
ANGLES ±0.5°
WAT'L:

S & W RACE CARS
111 MENNONITE CHURCH RD
SPRING CITY, PA 19475
SWRACECARS.COM

PART No: 05-019

DRW No:05-019-2