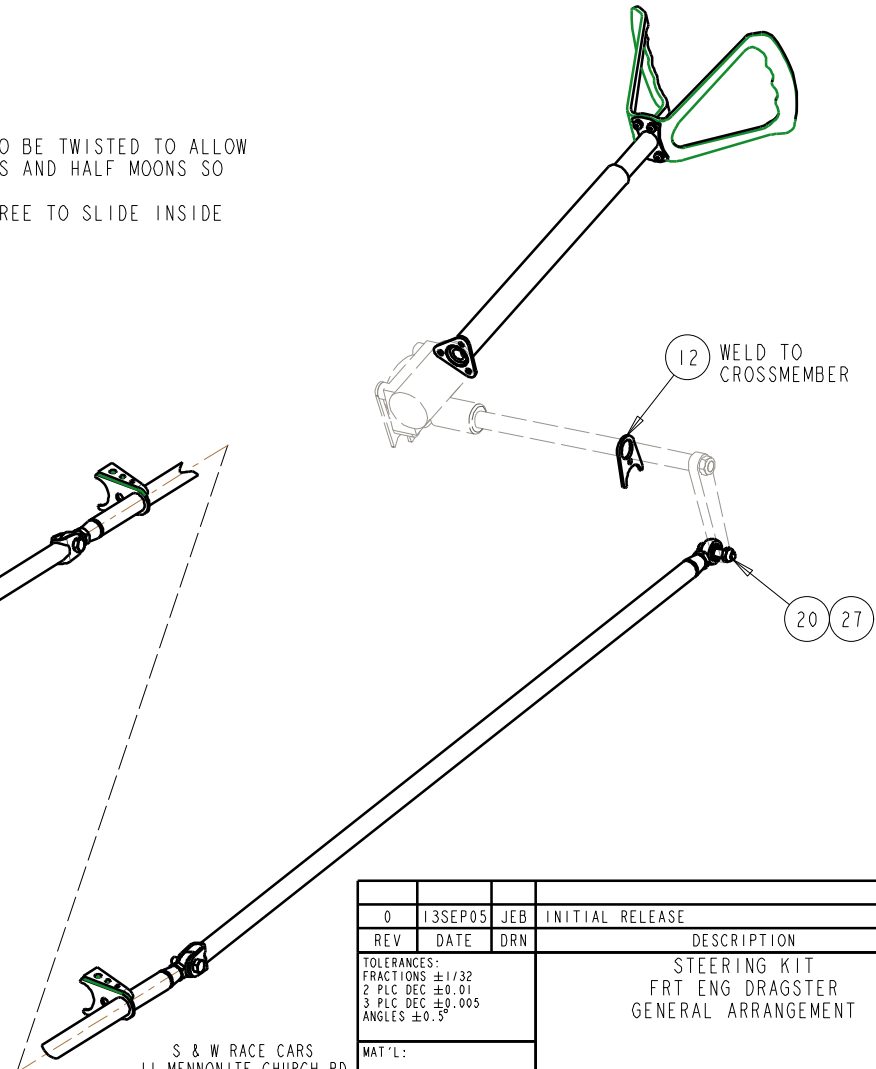
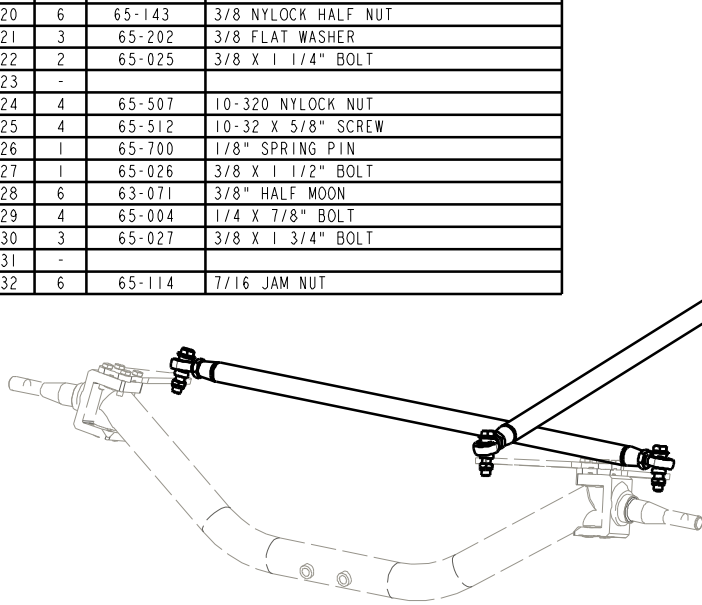


35-391-1

BILL OF MATERIALS

ITEM	QTY	PART No.	DESCRIPTION
1	1	35-391-T1	TIE ROD, 7/8" X 36" LG
2	1	35-391-T2	FRT LINK, 7/8" X 48" LG
3	1	35-391-T3	MID LINK, 7/8" X 96" LG
4	1	35-391-T2	REAR LINK, 7/8" X 48" LG
5	1	35-391-T4	STEERING COLUMN, 7/8" X 16"
6	1	35-391-T5	COLUMN SUPP'T TUBE, 1 1/8" X 14" LG
7	1	35-391-T6	BUSHING STR'G COLUMN, 1" X 1/2" LG
8	6	63-088	THREADED TUBE END
9	2	60-312	ROD END CLEVIS
10	6	64-607	ROD END, 7/16 RHM W/3/8 HOLE
11	-		
12	1	FC-022	STEERING LINKAGE SUPPORT
13	2	FC-021	STEERING LINKAGE SUPPORT
14	2	FC-028	GUSSET, STEERING SUPPORT
15	-		
16	-		
17	1	35-055	STEERING WHEEL
18	1	65-209-FLG	SUPPORT TUBE FLANGE
19	1	60-304	STEERING WHEEL MNTG TAB
20	6	65-143	3/8 NYLOCK HALF NUT
21	3	65-202	3/8 FLAT WASHER
22	2	65-025	3/8 X 1 1/4" BOLT
23	-		
24	4	65-507	10-320 NYLOCK NUT
25	4	65-512	10-32 X 5/8" SCREW
26	1	65-700	1/8" SPRING PIN
27	1	65-026	3/8 X 1 1/2" BOLT
28	6	63-071	3/8" HALF MOON
29	4	65-004	1/4 X 7/8" BOLT
30	3	65-027	3/8 X 1 3/4" BOLT
31	-		
32	6	65-114	7/16 JAM NUT

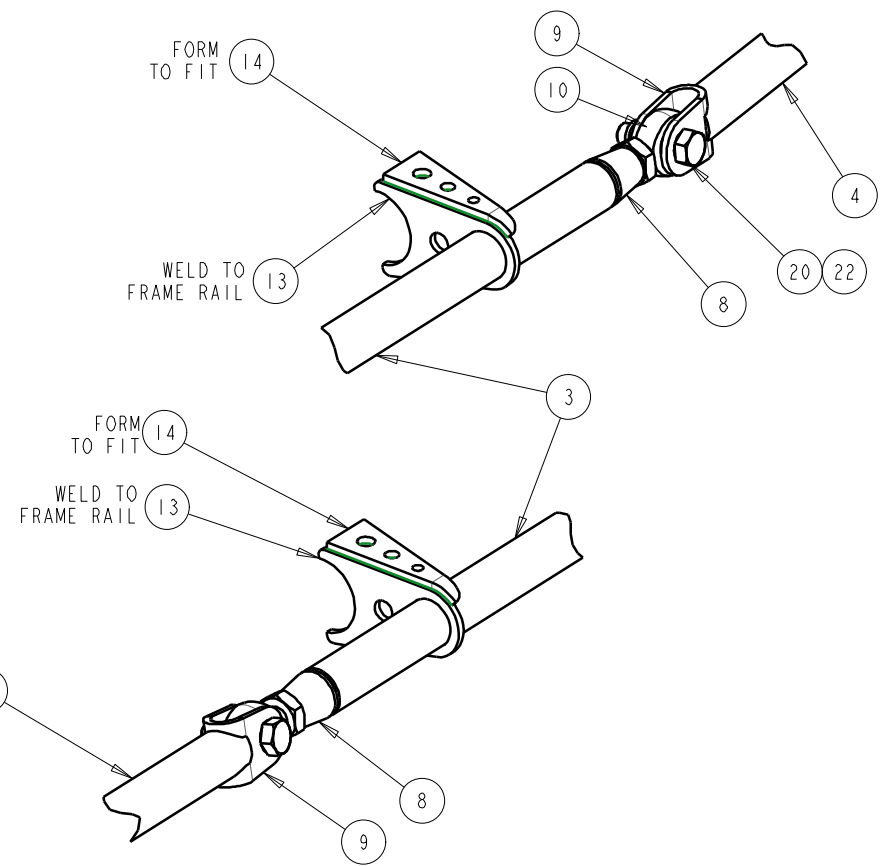
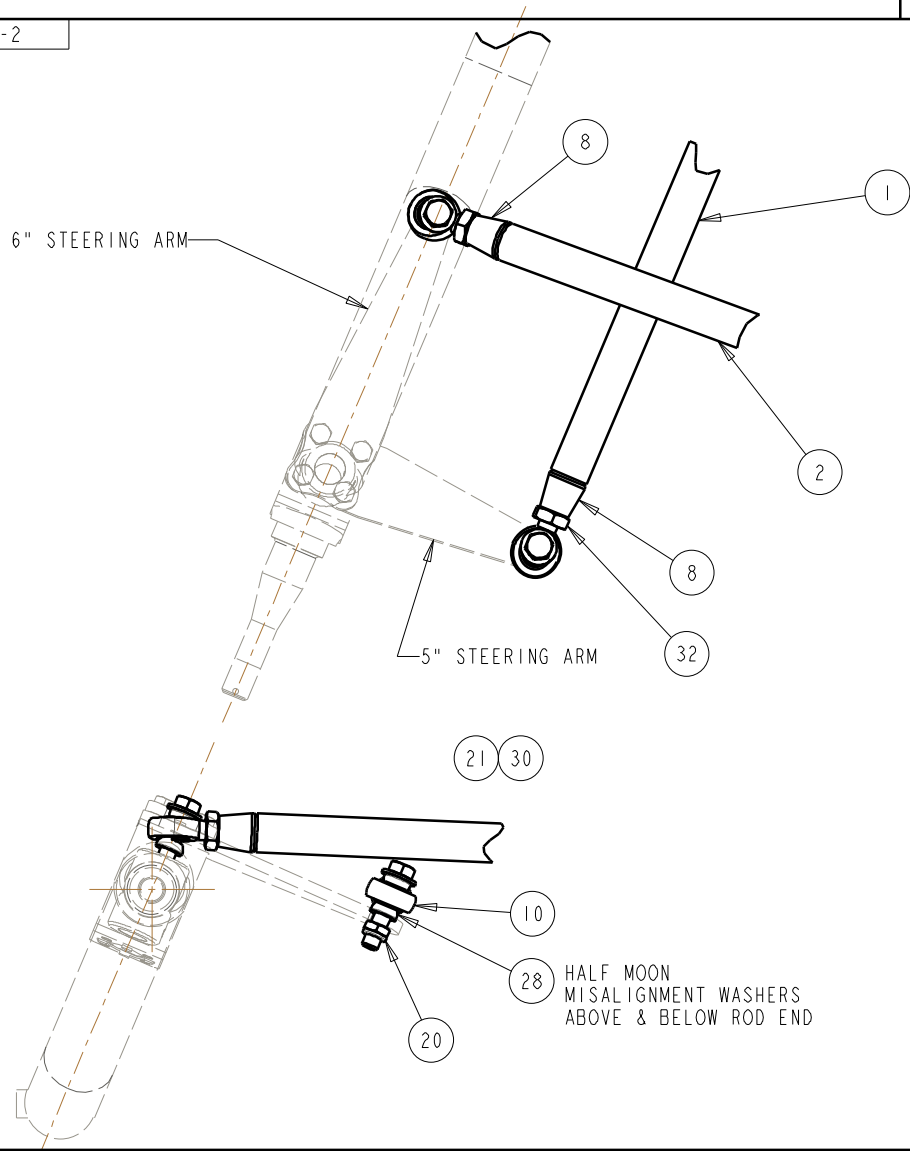
NOTE:
 1. STEERING ARMS MAY NEED TO BE TWISTED TO ALLOW PROPER ALIGNMENT OF ROD ENDS AND HALF MOONS SO THAT THEY DO NOT BIND.
 2. LINKAGE TUBING MUST BE FREE TO SLIDE INSIDE OF SHAFT SUPPORTS



S & W RACE CARS
 11 MENNONITE CHURCH RD
 SPRING CITY, PA 19475

0	13SEP05	JEB	INITIAL RELEASE
REV	DATE	DRN	DESCRIPTION
TOLERANCES: FRACTIONS ±1/32 2" PLC DEC ±0.01 3" PLC DEC ±0.005 ANGLES ±0.5°			STEERING KIT FRT ENG DRAGSTER GENERAL ARRANGEMENT
MAT'L:			
PART No: 35-391			DRW No: 35-391 - 1

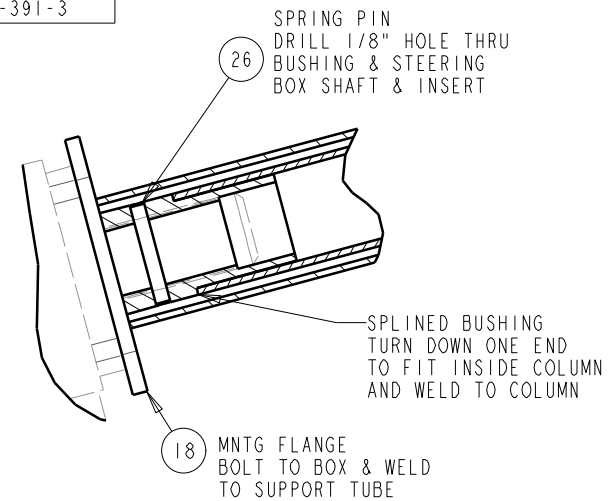
35-391-2



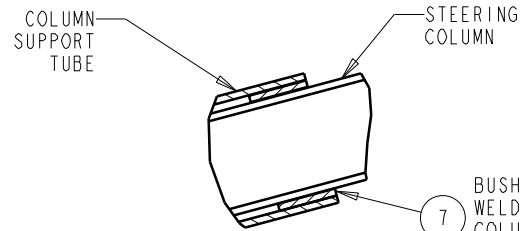
0	13SEP05	JEB	INITIAL RELEASE
REV	DATE	DRN	DESCRIPTION
TOLERANCES:			DETAIL VIEWS STEERING KIT FRT ENG DRAGSTER
FRACTIONS $\pm 1/32$			
2" PLC DEC ± 0.01			
3" PLC DEC ± 0.005			
ANGLES $\pm 0.5^\circ$			
MAT'L:			
PART No: 35-391			DRW No: 35-391 - 2

S & W RACE CARS
11 MENNONITE CHURCH RD
SPRING CITY, PA 19475

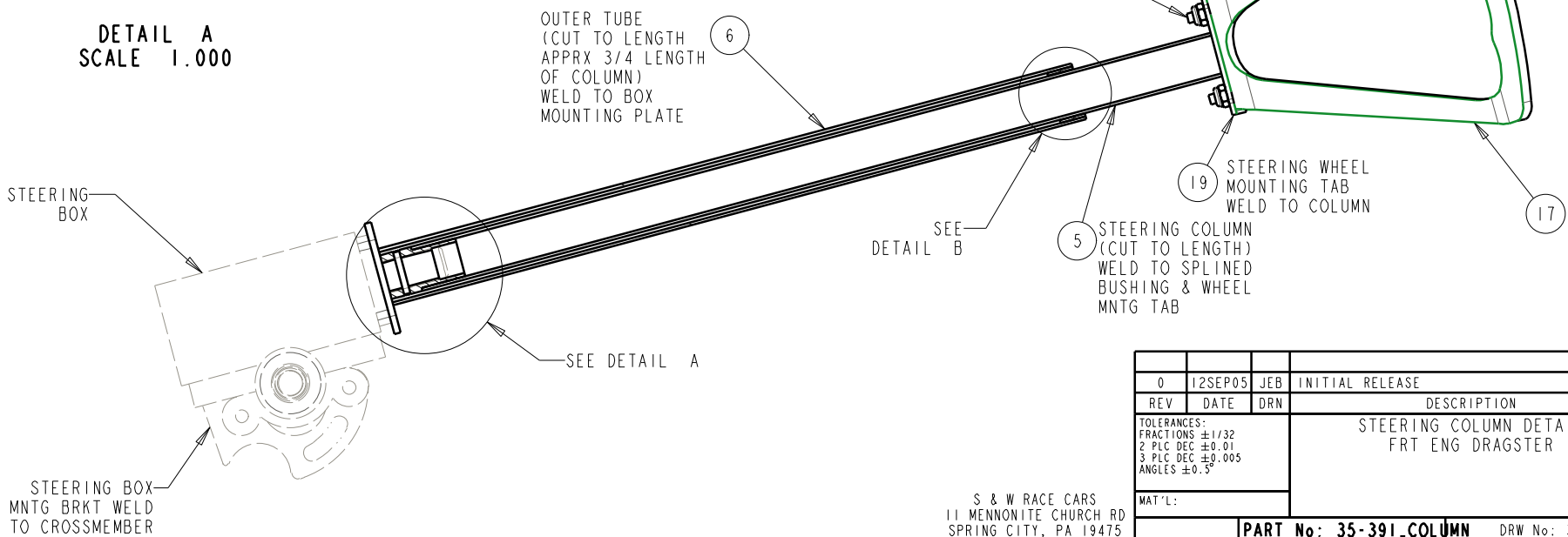
35-391-3



DETAIL A
SCALE 1.000



DETAIL B
SCALE 1.000



0	12SEP05	JEB	INITIAL RELEASE
REV	DATE	DRN	DESCRIPTION
TOLERANCES:			STEERING COLUMN DETAIL FRT ENG DRAGSTER
FRACTIONS ±1/32			
2 ^{PLC} DEC ±0.01			
3 ^{PLC} DEC ±0.005			
ANGLES ±0.5°			
MAT'L:			
PART No: 35-391_COLUMN			DRW No: 35-391 - 3

S & W RACE CARS
11 MENNONITE CHURCH RD
SPRING CITY, PA 19475