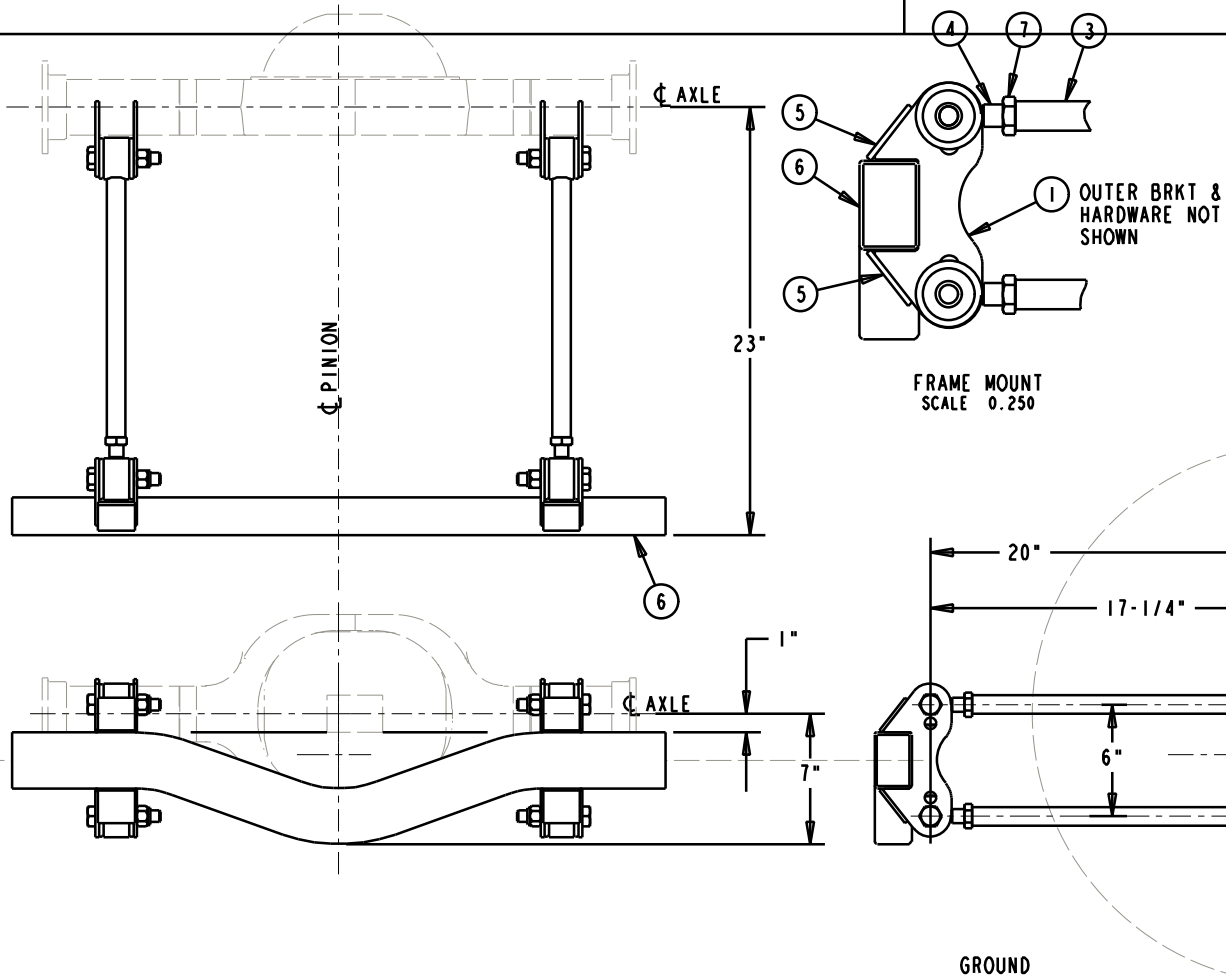
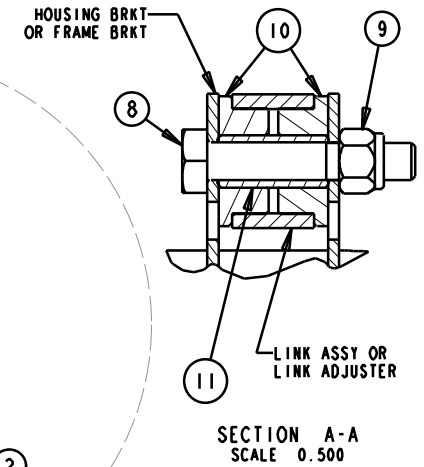


40-125-1



BILL OF MATERIALS			
ITEM	QTY	PART No.	DESCRIPTION
1	4	40-125-01	FRAME BRKT
2	4	40-125-02	HOUSING BRKT
3	4	40-125-03	LINK ASSY
4	4	40-125-04	LINK ADJUSTER ASSY
5	4	40-125-05	FRAME BRKT CAP
6	1	40-209-3	2"x3"x0.120, 3" DROPPED CM
7	4	65-120	3/4-16 JAM NUT
8	8	65-342	5/8-11 X 3 1/2" LG HHB
9	8	65-140	5/8-11 HH NYLOCK
10	8	40-603-03	POLY BUSHING
11	8	65-109-02	STEEL SLEEVE



NOTE:
 1. ALL DIMENSIONS TO GROUND LINE ARE FOR 29" TALL TIRE.
 ADJUST THESE DIMENSION FOR OTHER TIRE SIZES.

A	16JUN03	JEB	REV QTY OF ITEM 5 & 11
1	02OCT01	JEB	PRELIMINARY RELEASE
S & W RACE CARS 11 MENNONITE CHURCH SPRING CITY, PA 194		TOLERANCES: FRACTIONS ±1/32 D/PLC DEC ±0.01 P/PLC DEC ±0.005 ANGLES ±0.5°	
MAT'L:		GENERAL ARRANGEMENT STREET ROD 4-BAR REAR SUSPENSION	
SCALE 0.156	PART No: 40-125	DRW No: 40-125 - 1	