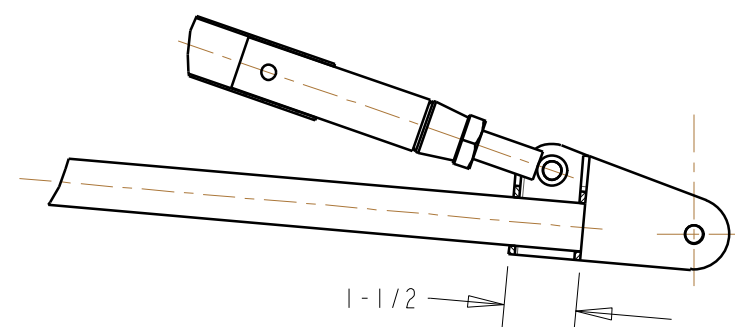
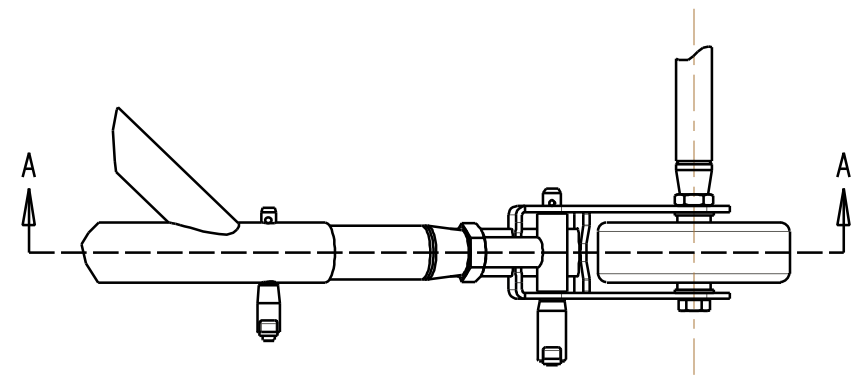
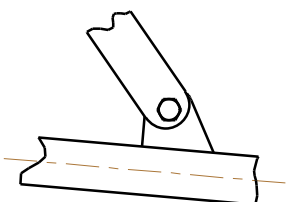
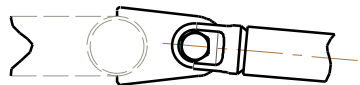
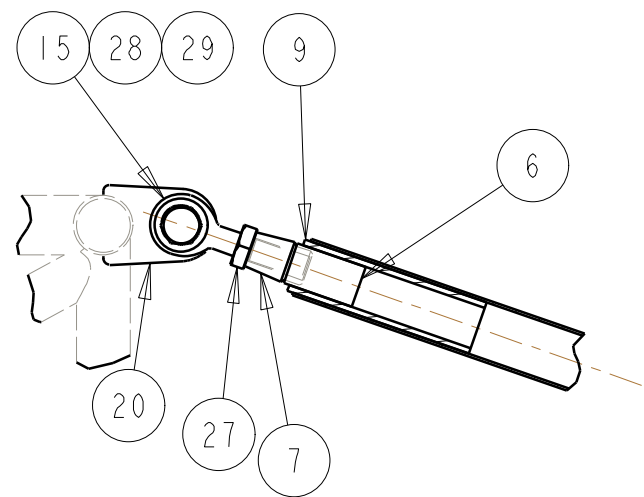
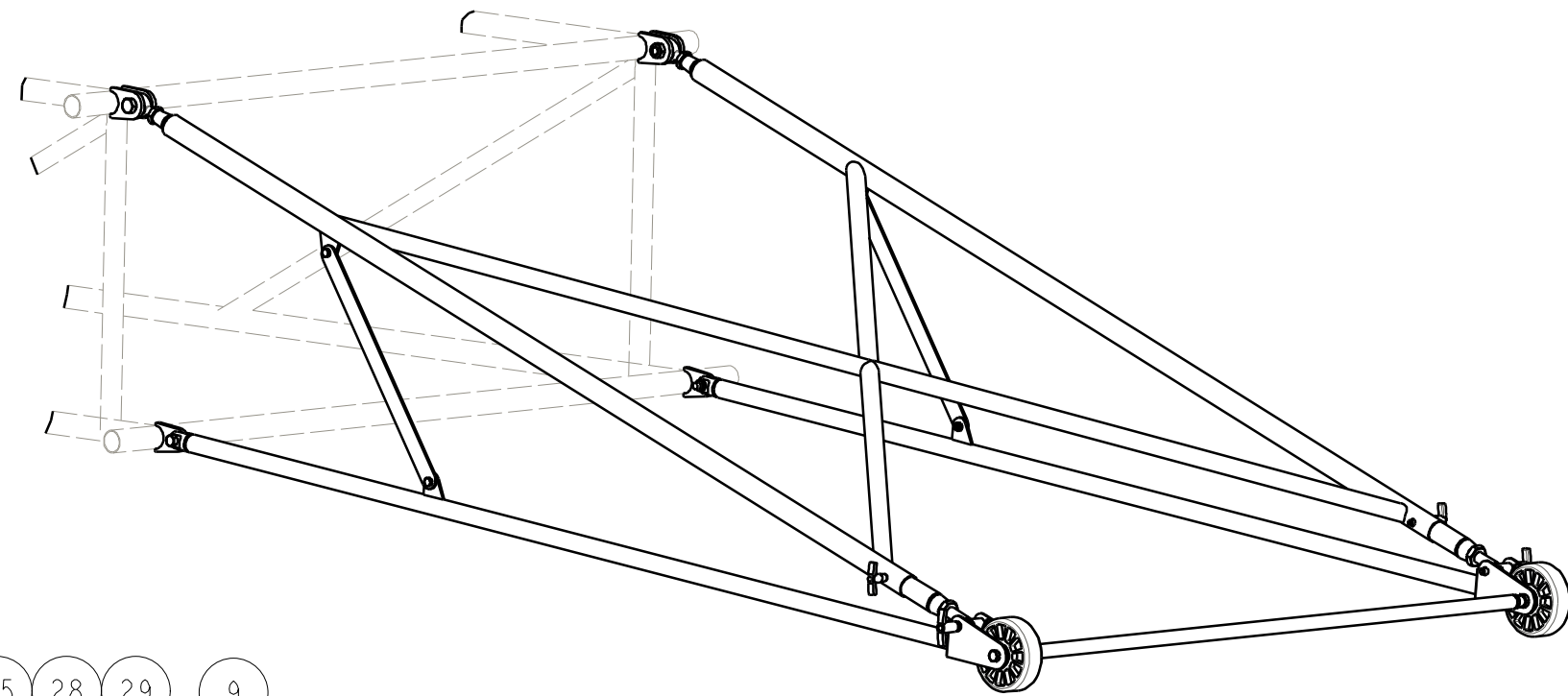


40-333-1



SECTION A-A

S & W RACE CARS
 11 MENNONITE CHURCH RD
 SPRING CITY, PA 19475

0	d d m m y y	JEB	INITIAL RELEASE
REV	DATE	DRN	DESCRIPTION
TOLERANCES: FRACTIONS $\pm 1/32$ 2 PLC DEC ± 0.01 3 PLC DEC ± 0.005 ANGLES $\pm 0.5^\circ$			FRONT WHL DRIVE WHEELIE BARS GENERAL ARRANGEMENT
MAT'L: prt.material			
PART No: 40-333			DRW No: 40-333 - 1