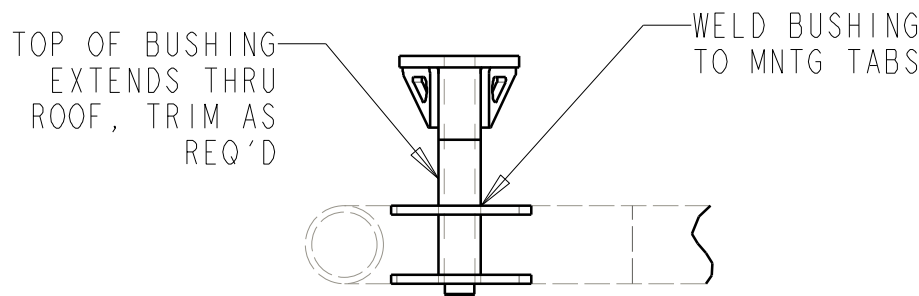
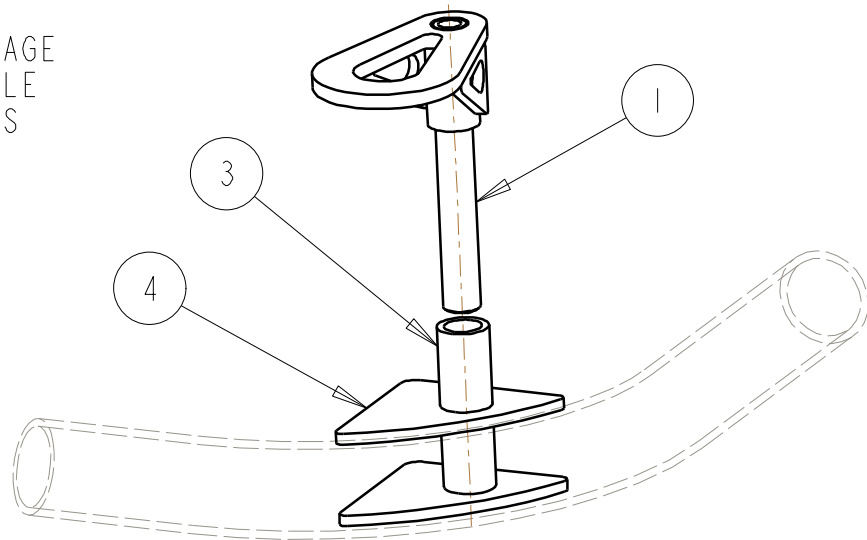


NOTE: IF YOUR CAGE IS A RUNNER STYLE WELD THESE EDGES TO TUBES

NOTE: BUSHING MAY NEED TO BE REAMED AFTER WELDING



### BILL OF MATERIALS

ITEM	QTY	PART No.	DESCRIPTION
1	1	75-810-01	PIN & EYE WELDMNT
2	2	75-810-02	MOUNTING TAB
3	1	875X120CMX3000	BUSHING

0	19MAY05	JEB	PRELIMINARY RELEASE
REV	DATE	DRN	DESCRIPTION
TOLERANCES: FRACTIONS $\pm 1/32$ 2 PLC DEC $\pm 0.01$ 3 PLC DEC $\pm 0.005$ ANGLES $\pm 0.5^\circ$			<b>TOE HOOK CAGE MOUNT GENERAL ARRANGEMENT</b>
MAT'L:			
Part No: 75-810			DWR No: 75-810 - 1

S & W RACE CARS  
 11 MENNONITE CHURCH RD  
 SPRING CITY, PA 19475