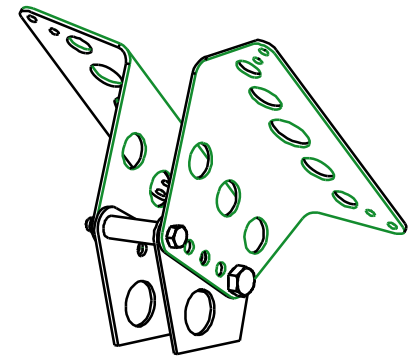
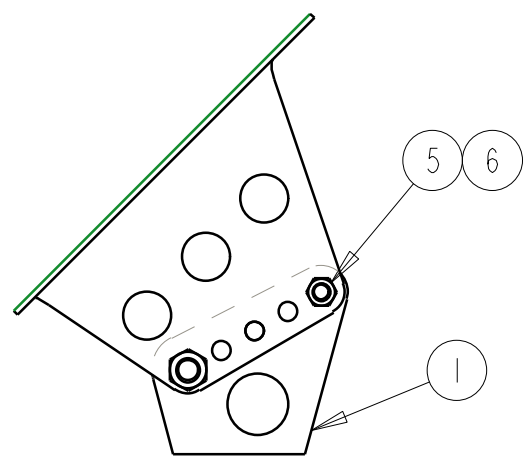
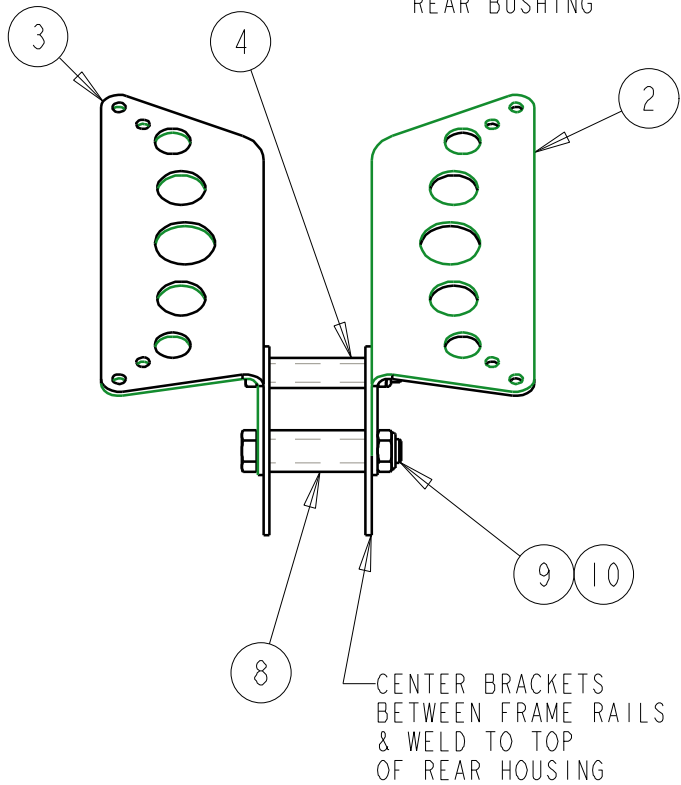


BILL of MATERIALS

ITEM	QTY	Part No:	DESCRIPTION
1	2	05-065-01	ANTI ROTATION BRKT
2	1	05-065-02	CHUTE PACK BRKT - RIGHT
3	1	05-065-03	CHUTE PACK BRKT - LEFT
4	2	625X120CMX2	3/8 ID BUSHING
5	2	65-031	3/8 X 3" LG BOLT
6	2	65-143	3/8 NYLOCK HALF NUT
7			
8	1	875X188CMX2	1/2" ID BUSHING
9	1	65-050	1/2 X 3" LG BOLT
10	1	65-145	1/2 NYLOCK HALF NUT



A	27SEP10	JEB	CHANGED SHROUD BOLT TO 1/2"
0	07MAY03	JEB	DRAW IN PRO-E
REV	DATE	DRN	DESCRIPTION
TOLERANCES:			PARACHUTE/ANTI ROTATION MNT
FRACTIONS ±1/32			
2 PLC DEC ±0.01			
3 PLC DEC ±0.005			
ANGLES ±0.5°			
MAT'L:			
Part No: 05-065		DWR No: 05-065 - 1	

S & W RACE CARS
 11 MENNONITE CHURCH RD
 SPRING CITY, PA 19475