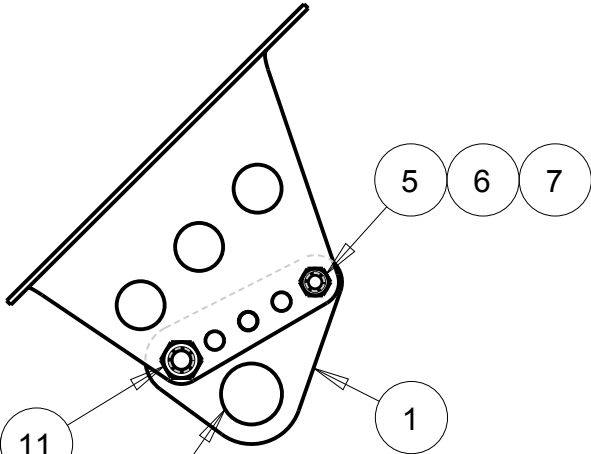
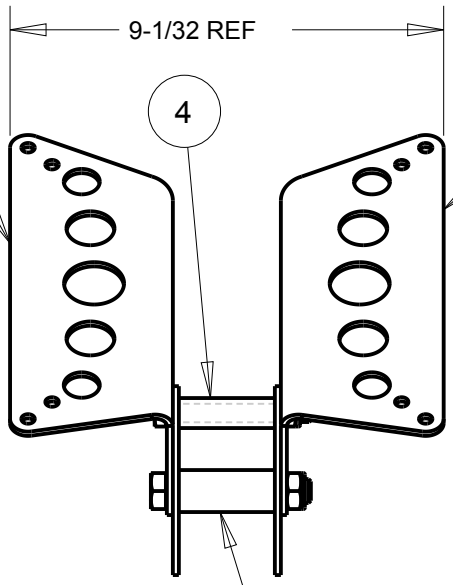
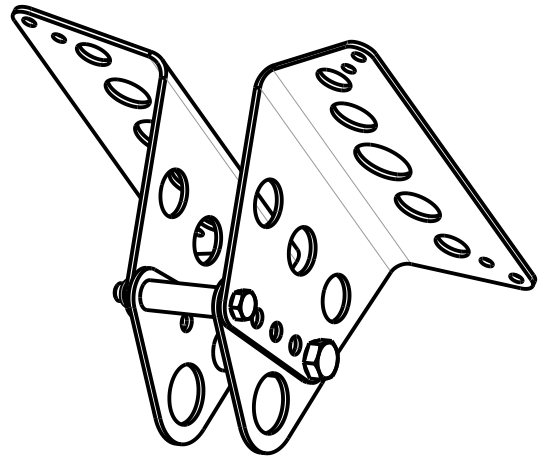


CHUTE SHROUD ATTACHES TO REAR BUSHING



WELD TO CROSSMEMBER



BILL of MATERIALS

ITEM	QTY	Part No:	DESCRIPTION
1	2	05-065-04	PARACHUTE PACK BRKT MOUNT
2	1	05-065-02	CHUTE PACK BRACKET, RIGHT
3	1	05-065-03	CHUTE PACK BRACKET, LEFT
4	1	625X120CMX2	3/8 ID BUSHING
5	1	65-031	3/8 BOLT
6	1	65-132	3/8 NYLOCK NUT
7	2	65-202	3/8 FLAT WASHER
8	1	875x188CM	1/2" ID SHROUD SPACER
9	1	65-049	1/2" BOLT
10	1	65-145	1/2" NYLOCK NUT
11	1	65-204	1/2" FLAT WASHER

0	08MAY07	JEB		INITIAL RELEASE
REV	DATE	DRN	APP'R	DESCRIPTION
TOLERANCES: FRACTIONS ± 1/32 2 PLC DEC ± 0.01 3 PLC DEC ± 0.005 ANGLES ± 0.5°			PARACHUTE MNT - 4-LINK DRAGSTER	
MAT'L:				
Part No: 05-067			DWR No: 05-067 - 1	

S & W RACE CARS
11 MENNONITE CHURCH RD
SPRING CITY, PA 19475