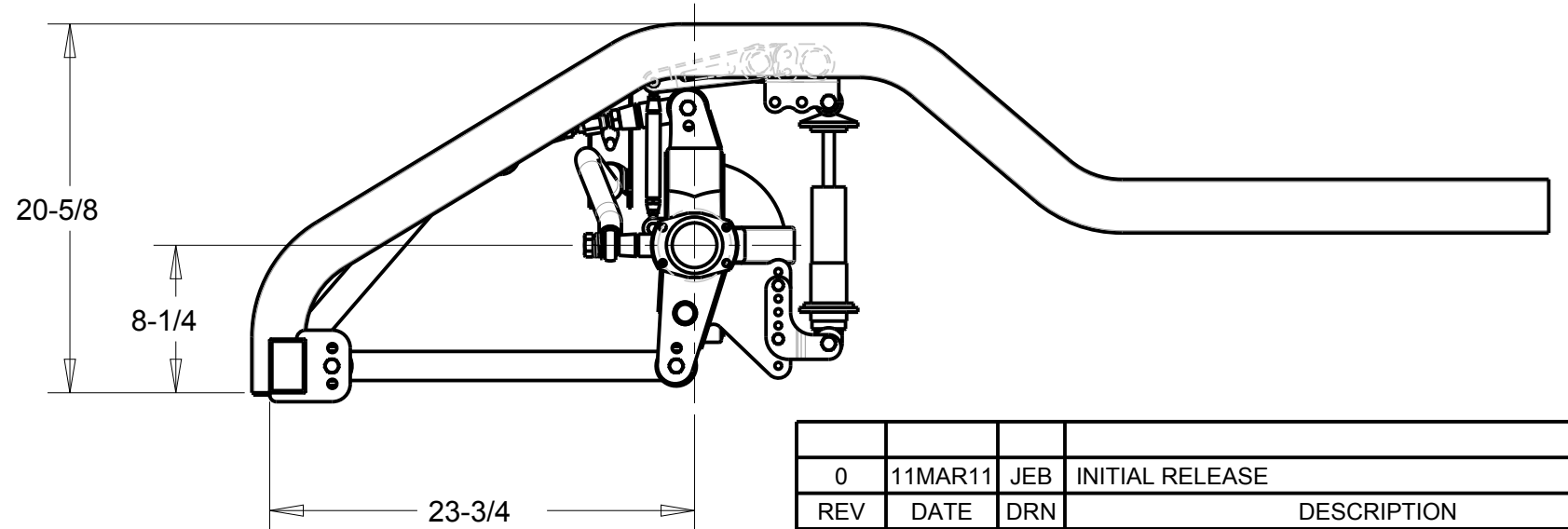
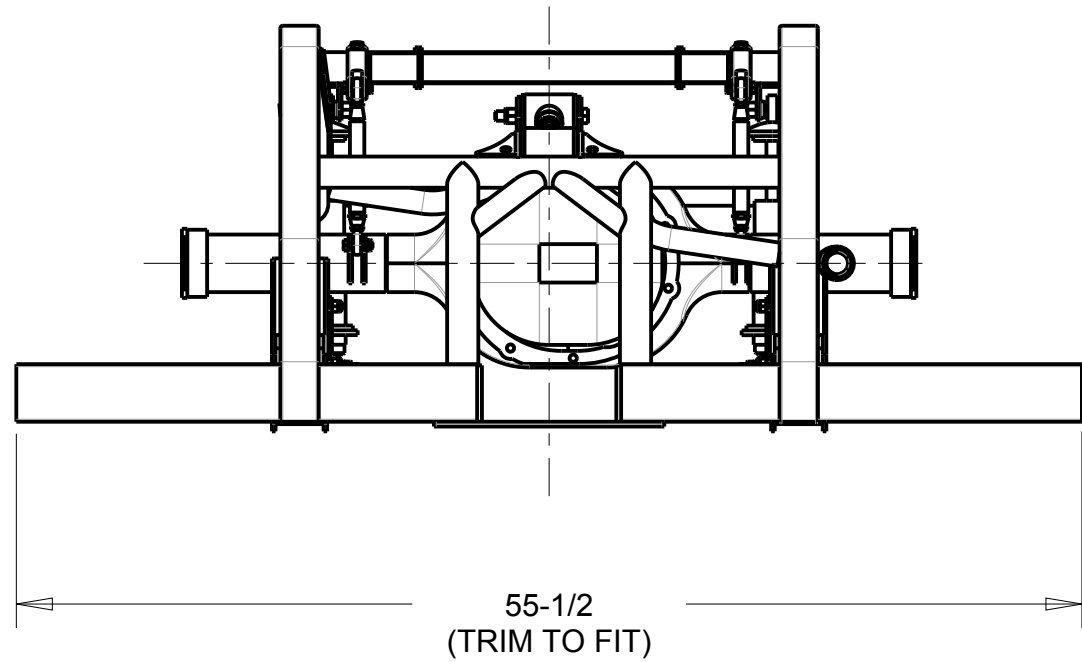
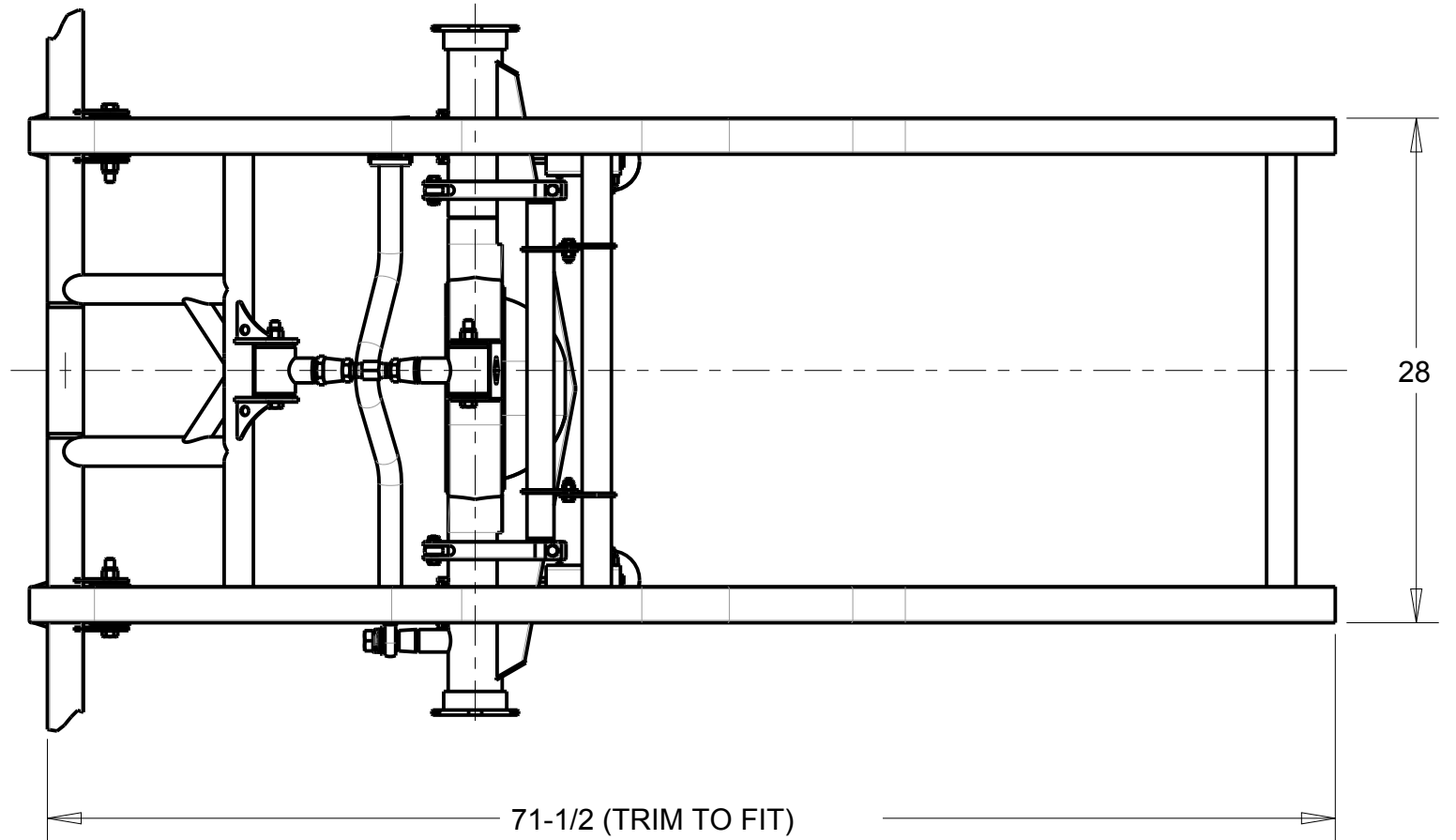
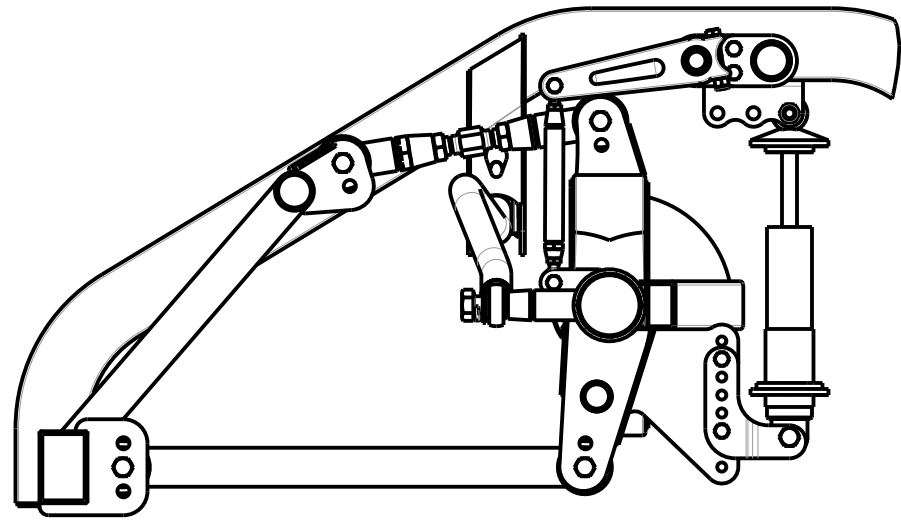
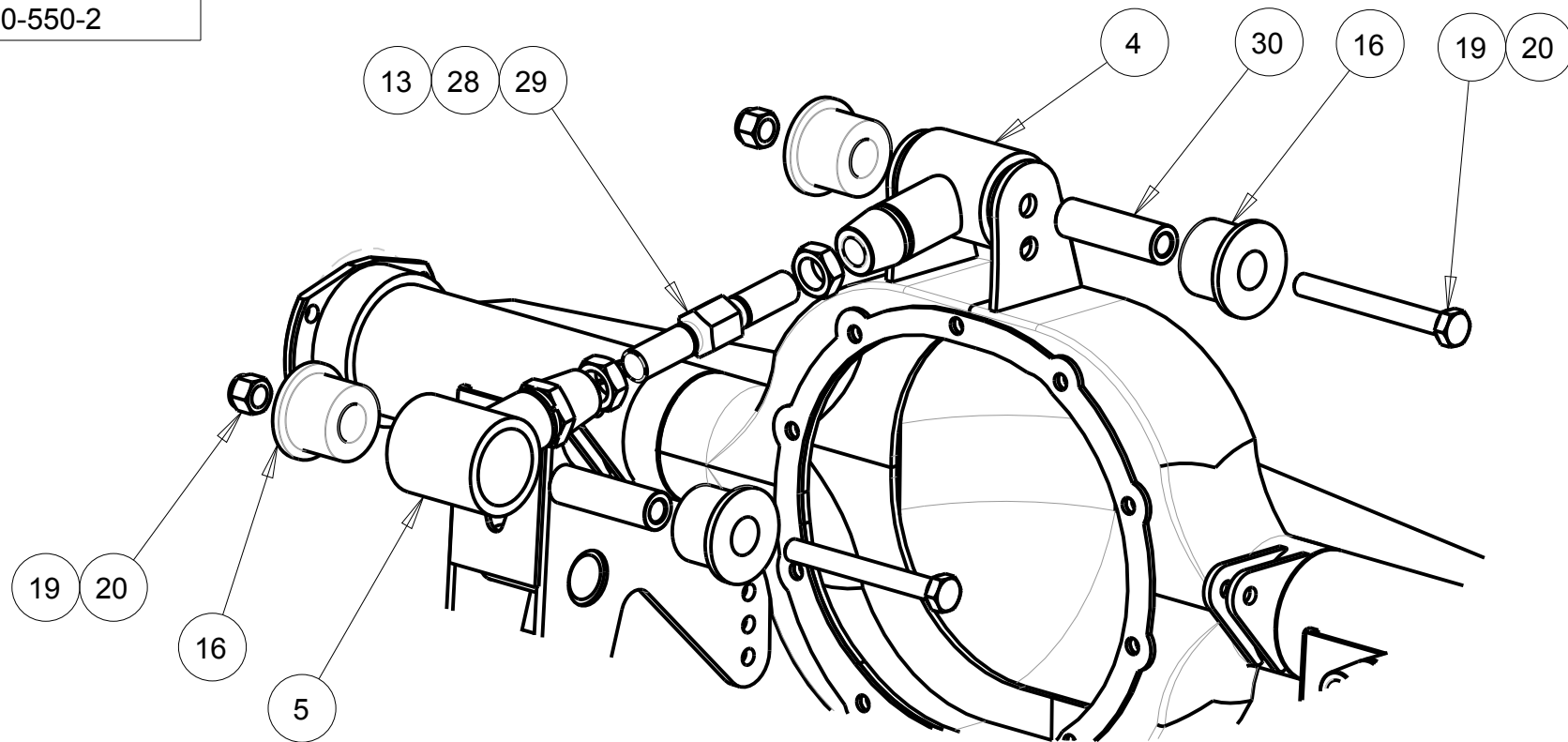


10-550-1

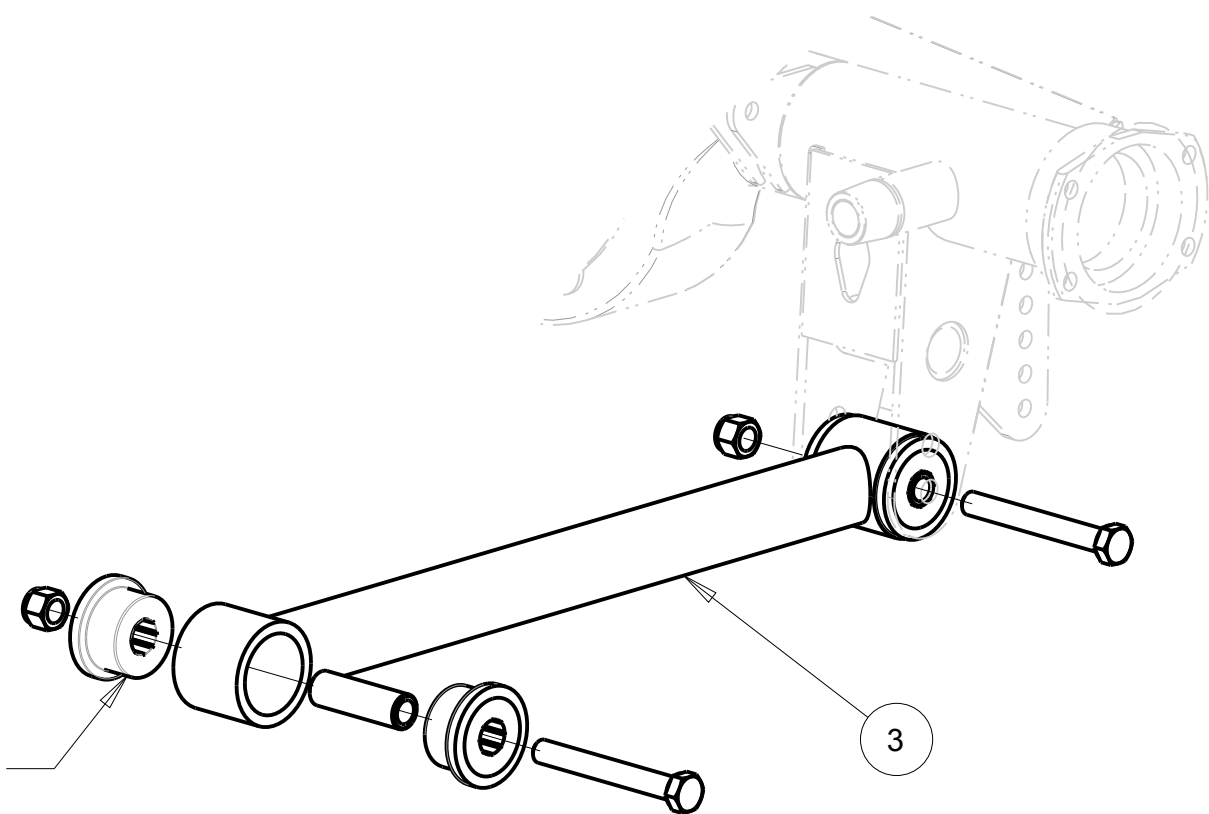


S & W RACE CARS
 11 MENNONITE CHURCH RD
 SPRING CITY, PA 19475

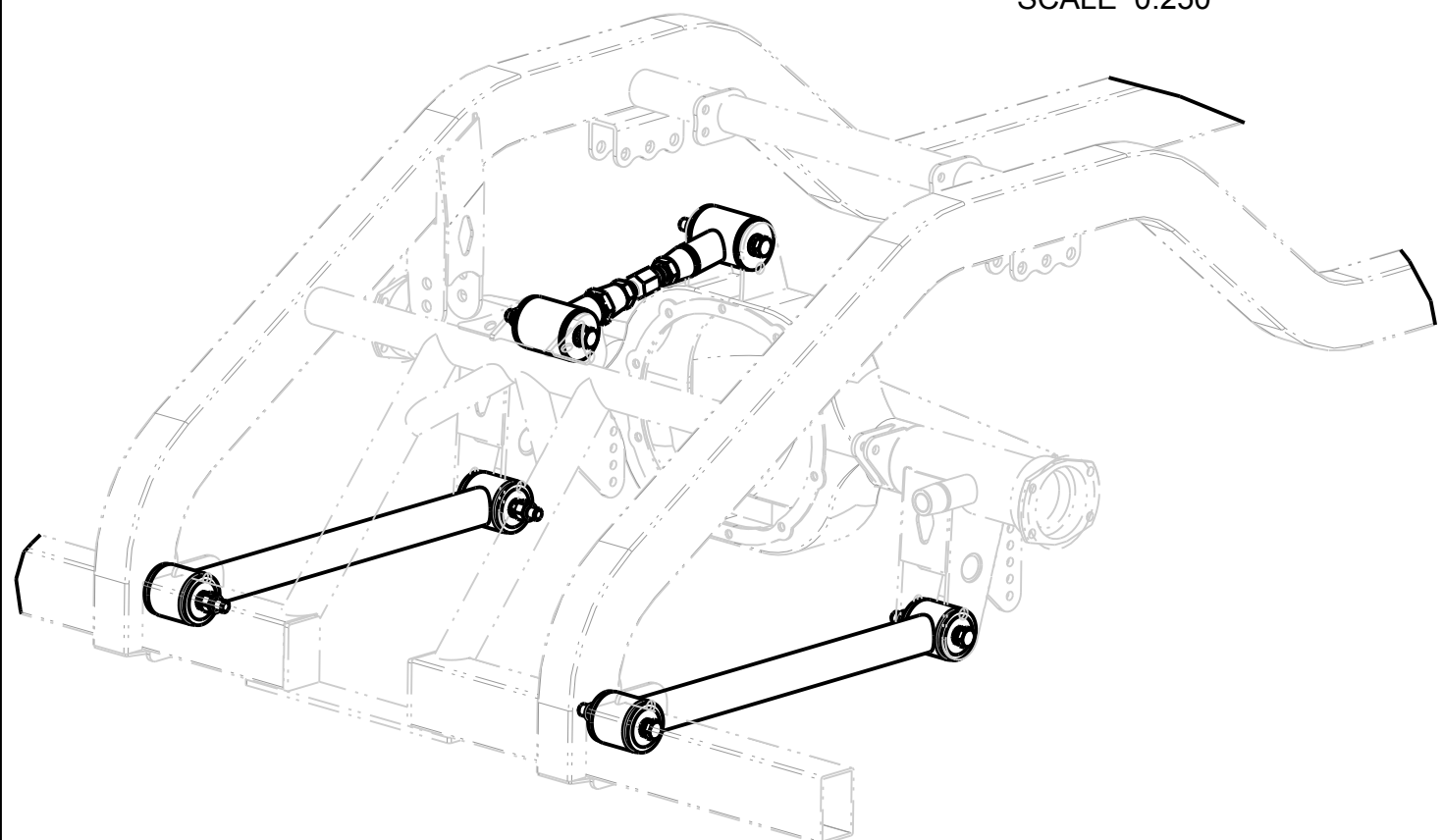
0	11MAR11	JEB	INITIAL RELEASE
REV	DATE	DRN	DESCRIPTION
TOLERANCES: FRACTIONS $\pm 1/32$ 2 PLC DEC ± 0.01 3 PLC DEC ± 0.005 ANGLES $\pm 0.5^\circ$			GENERAL ARRANGEMENT PRO TOURING FRAME KIT
MAT'L:			
PART No: 40-550			DRW No: 10-550 - 1



UPPER CONTROL ARM LINK
SCALE 0.250



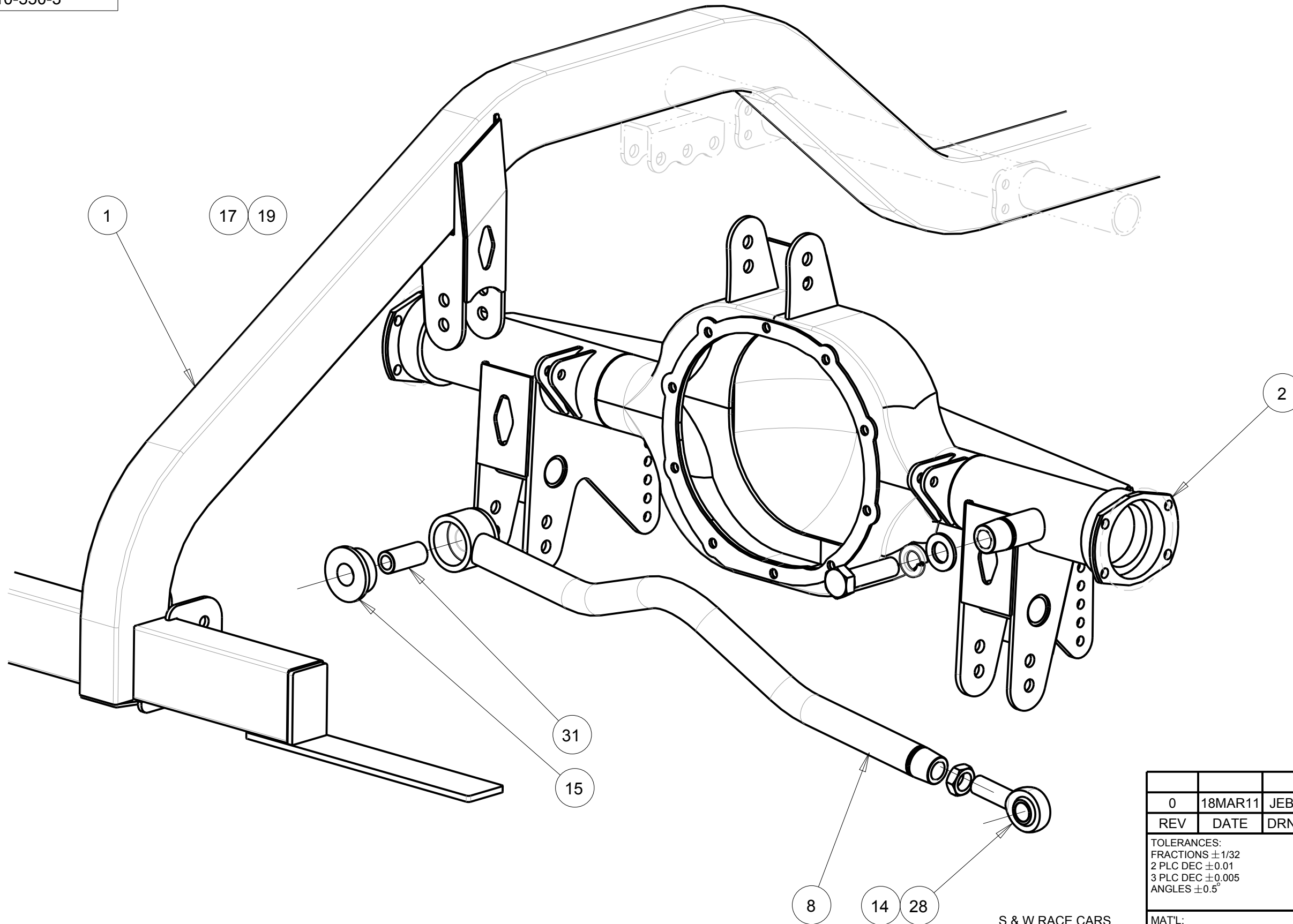
LOWER CONTROL ARM
SCALE 0.250



GREASE ID & OD OF
ALL POLY BUSHINGS

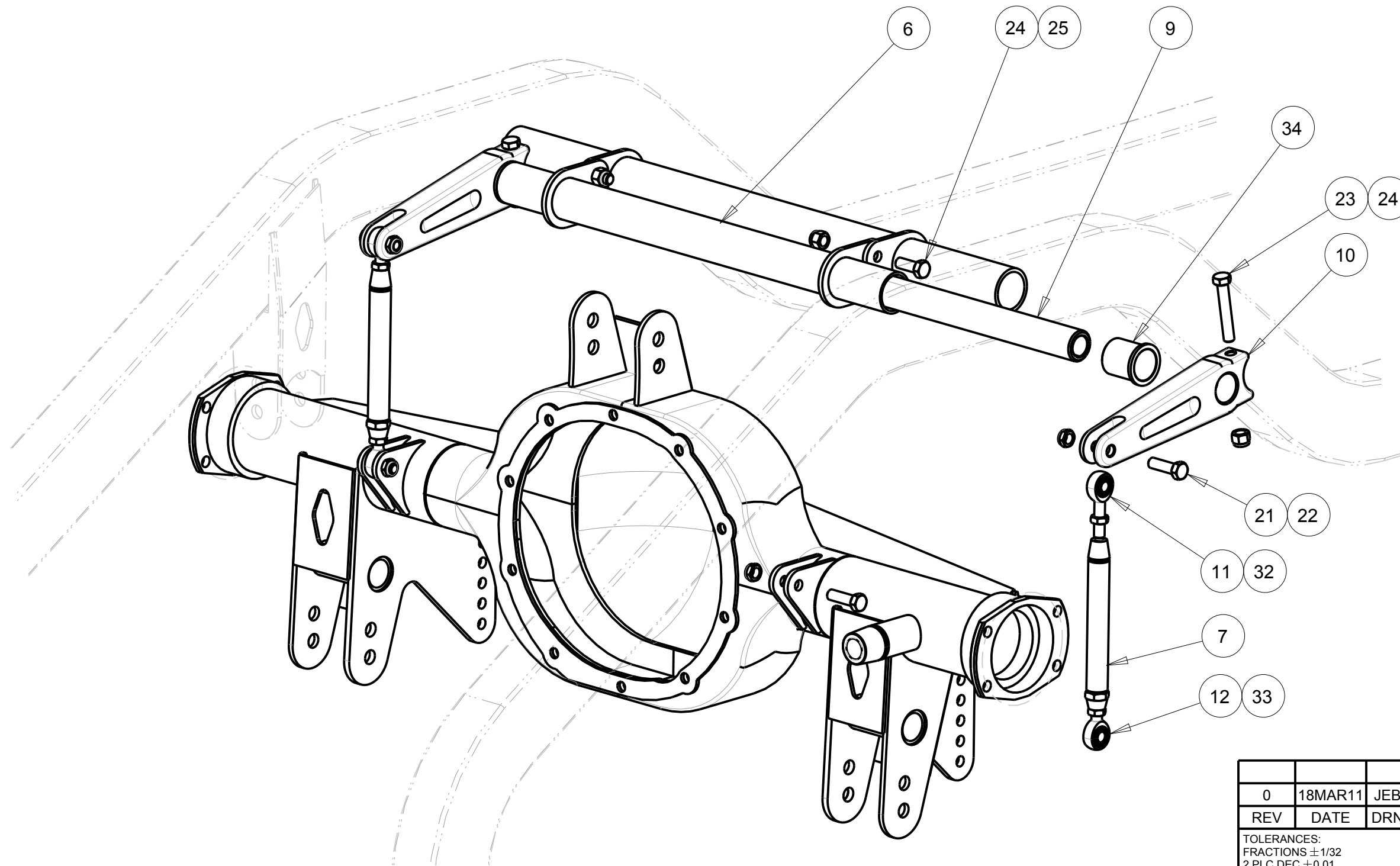
S & W RACE CARS
11 MENNONITE CHURCH RD
SPRING CITY, PA 19475

0	18MAR11	JEB	INITIAL RELEASE
REV	DATE	DRN	DESCRIPTION
TOLERANCES: FRACTIONS $\pm 1/32$ 2 PLC DEC ± 0.01 3 PLC DEC ± 0.005 ANGLES $\pm 0.5^\circ$			UPPER & LOWER CONTROL ARM GENERAL ARRANGEMENTS PRO TOURING FRAME KIT
MAT'L:			
PART No: 10-550			DRW No: 10-550 - 2



S & W RACE CARS
 11 MENNONITE CHURCH RD
 SPRING CITY, PA 19475

0	18MAR11	JEB	INITIAL RELEASE
REV	DATE	DRN	DESCRIPTION
TOLERANCES: FRACTIONS ±1/32 2 PLC DEC ±0.01 3 PLC DEC ±0.005 ANGLES ±0.5°			PANHARD BAR GENERAL ARRANGEMENT PRO TOURING FRAME KIT
MAT'L:			
PART No: 10-550			DRW No: 10-550 - 3



0	18MAR11	JEB	INITIAL RELEASE
REV	DATE	DRN	DESCRIPTION
TOLERANCES: FRACTIONS $\pm 1/32$ 2 PLC DEC ± 0.01 3 PLC DEC ± 0.005 ANGLES $\pm 0.5^\circ$			TORSION / ANTI ROLL BAR GENERAL ARRANGEMENT PRO TOURING FRAME KIT
MAT'L:			
PART No: 10-550-03			DRW No: 10-550 - 4

S & W RACE CARS
 11 MENNONITE CHURCH RD
 SPRING CITY, PA 19475