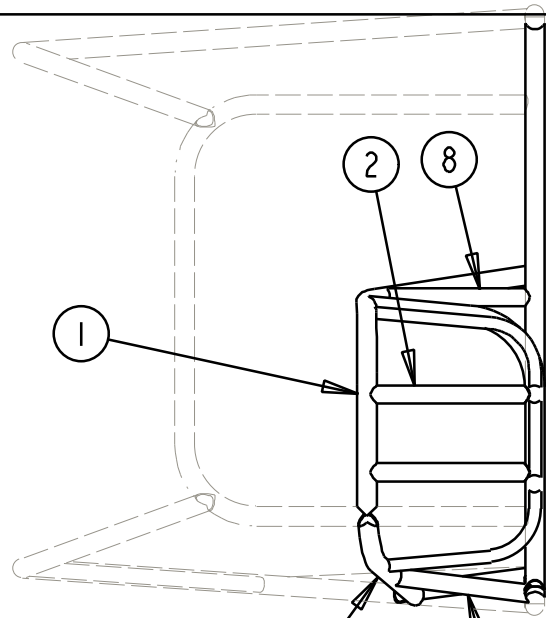
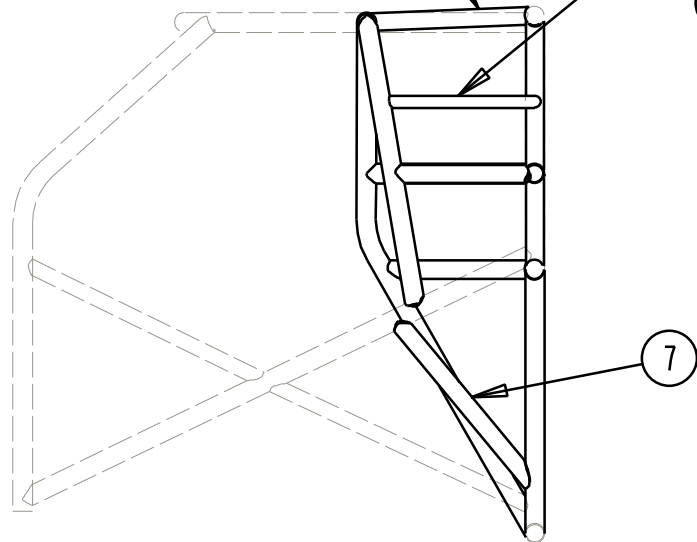


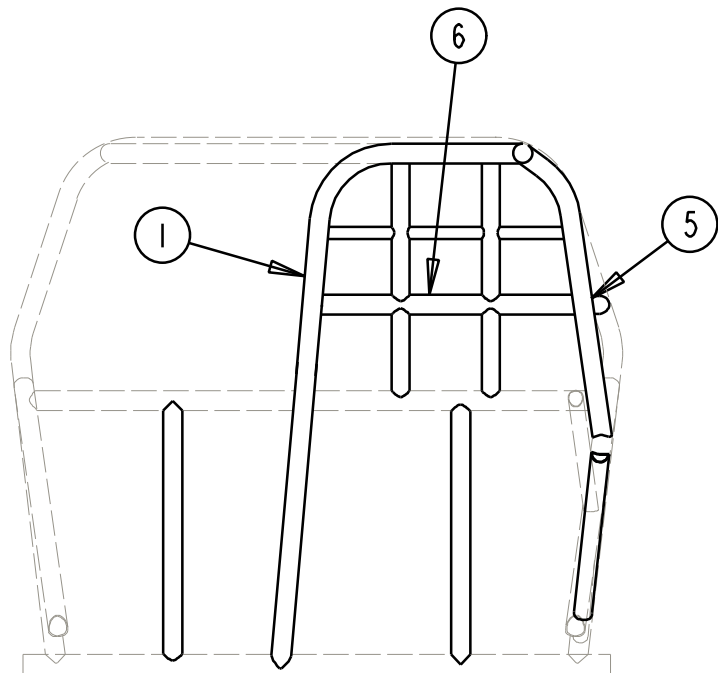
ISOMETRIC VIEW
SCALE 0.046



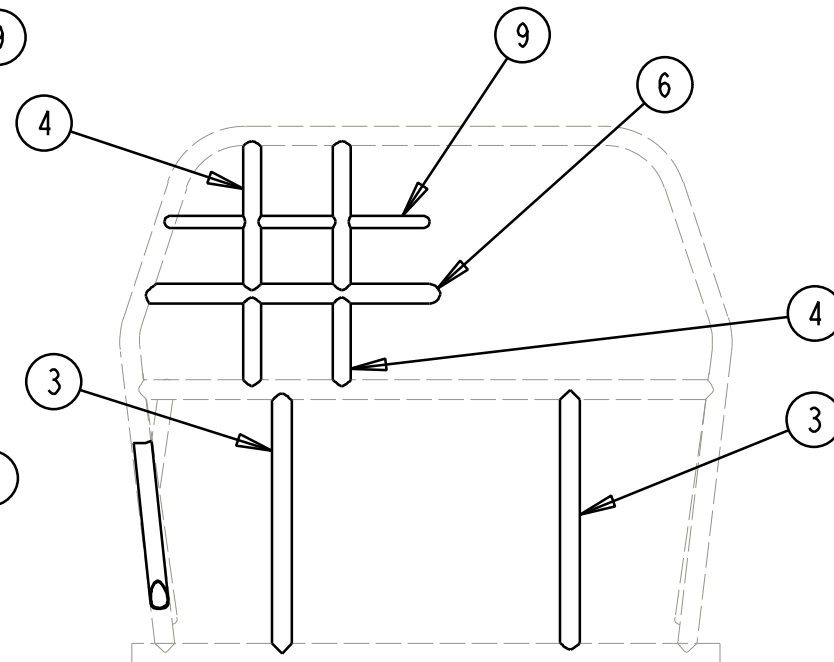
5 2 8



SIDE VIEW
SOME TUBES NOT SHOWN



FRONT VIEW
SOME TUBES NOT SHOWN



REAR VIEW
SOME TUBES NOT SHOWN

BILL OF MATERIALS			
ITEM	QTY		DESCRIPTION
1	1	1 5/8"Ø BENT	FUNNY CAR CAGE FRONT HOOP
2	2	1 1/2"Ø x 18"	TOP HELMET TUBE
3	2	1 1/2"Ø x 32"	VERTICAL BRACE
4	2	1 1/2"Ø x 25"	REAR HELMET TUBE
5	1	1 5/8"Ø BENT	OUTSIDE HELMET TUBE
6	1	1 5/8"Ø x BENT	HORZ HELMET TUBE
7	1	1 1/2"Ø x 36"	KIDNEY TUBE
8	2	1 1/2"Ø x 24"	HORZ SIDE BAR
9	2	1"Ø BENT	HELEMT TUBES

NOTE:
THE MOST IMPORTANT REQUIREMENT FOR A SUCCESSFUL
INSTALATION OF THIS S&W CHASSIS COMPONENT IS THAT
YOU TAKE YOUR TIME AND USE COMMON SENSE. CHECK AND
RECHECK ALL MEASUREMENTS BEFORE CUTTING AND WELDING.
IF DURING THE INSTALLATION YOU HAVE ANY QUESTIONS
- STOP - AND CALL THE OUR TECH LINE AT 610-948-7303.
WE WILL EXPLANE IN MORE DETAIL ANY INSTALLATION STEP.

THIS ROLL CAGE IS DESIGNED SPECIFICALLY FOR DRAG
RACING. S & W RECOMMENDS CHECKING WITH THE
APPROPRIATE SANCTIONING BODY FOR INSTALLATION, AND
WELDING REQUIREMENTS AND GENERAL SPECIFICATIONS.

B	17JAN12	JEB	ADDED 1" HELMET TUBES
A	09OCT07	JEB	ADDED KIDNEY TUBE
0	29DEC00	JEB	INITIAL RELEASE
REV	DATE	DRN	DESCRIPTION
TOLERANCES:			13-362 MIDL STEEL 13-363 CHROME MOLY FUNNY CAR ROLL CAGE CONVERSION GENERAL ARRANGEMENT DRAWING
FRACTIONS ±1/64 2 PLC DEC ±0.01 3 PLC DEC ±0.005 ANGLES ±1°			
MAT'L:			
PART No:			DRW No: DWR No: 13-362-1

S & W RACE CARS
11 MENNONITE CHURCH RD
SPRING CITY, PA 19475