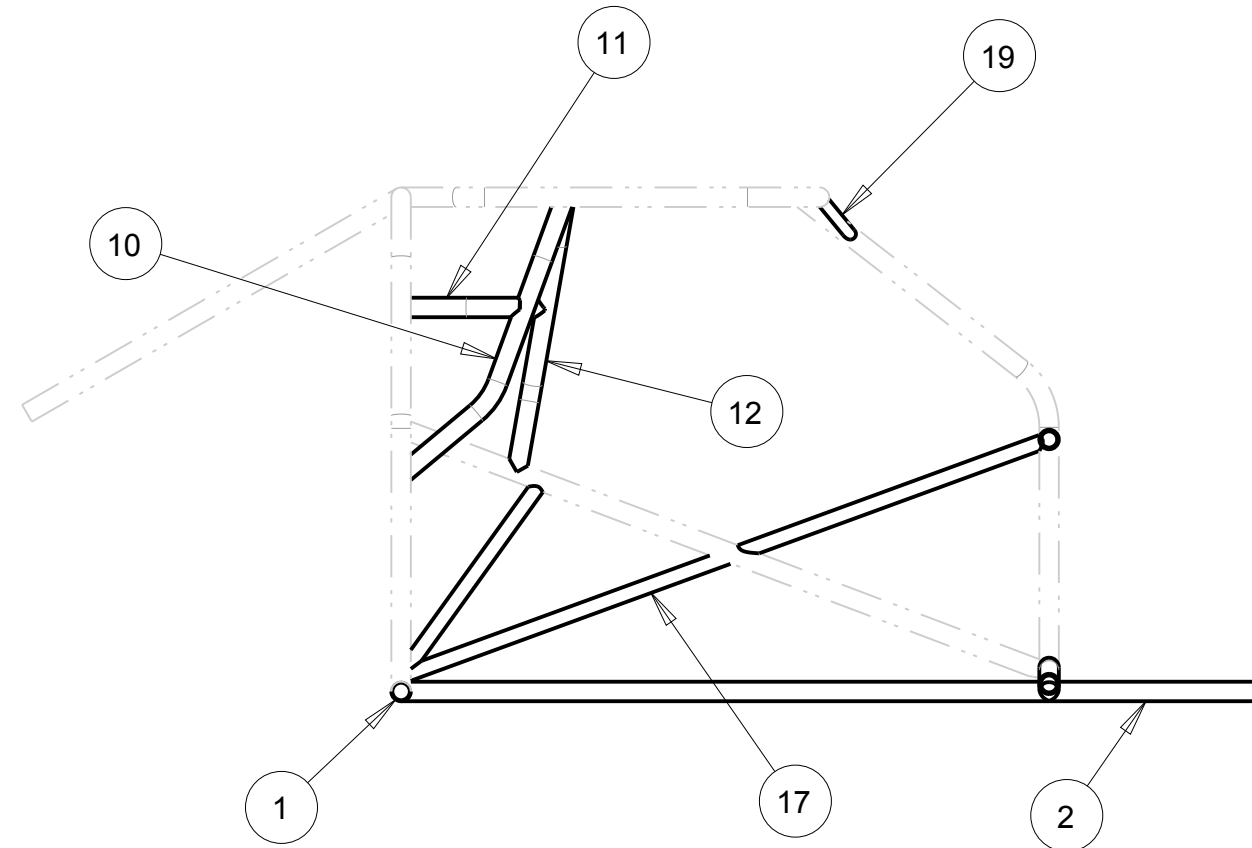
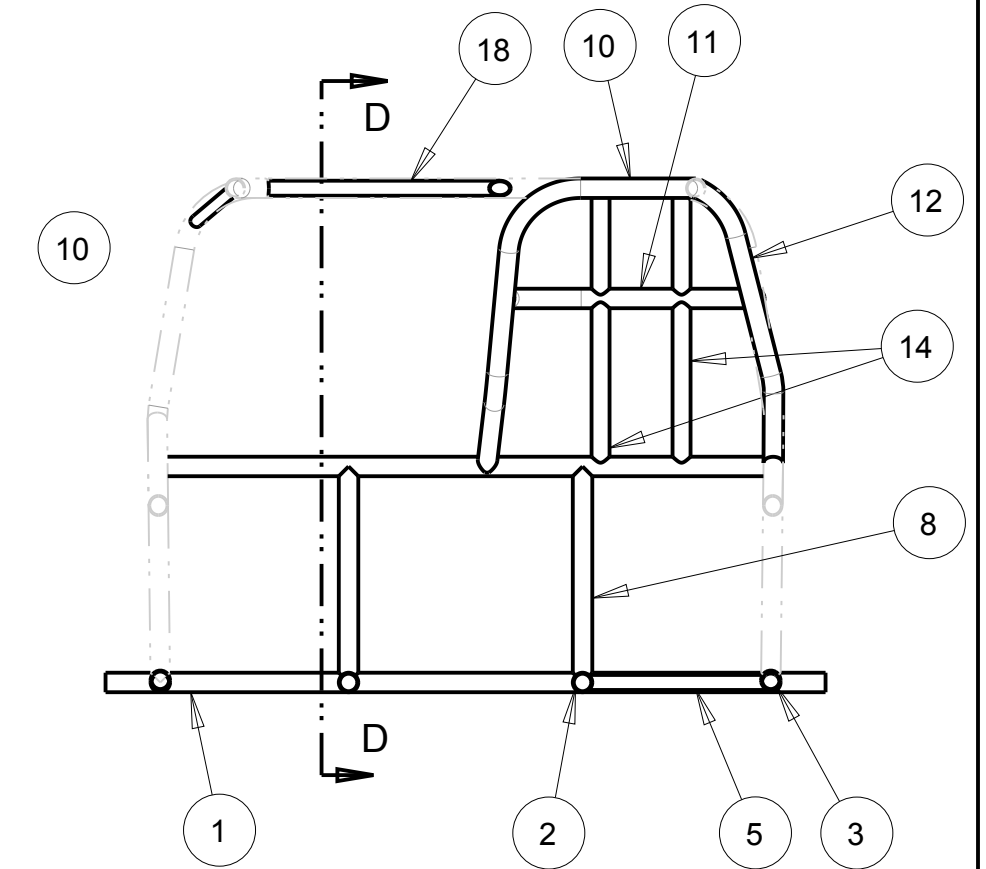


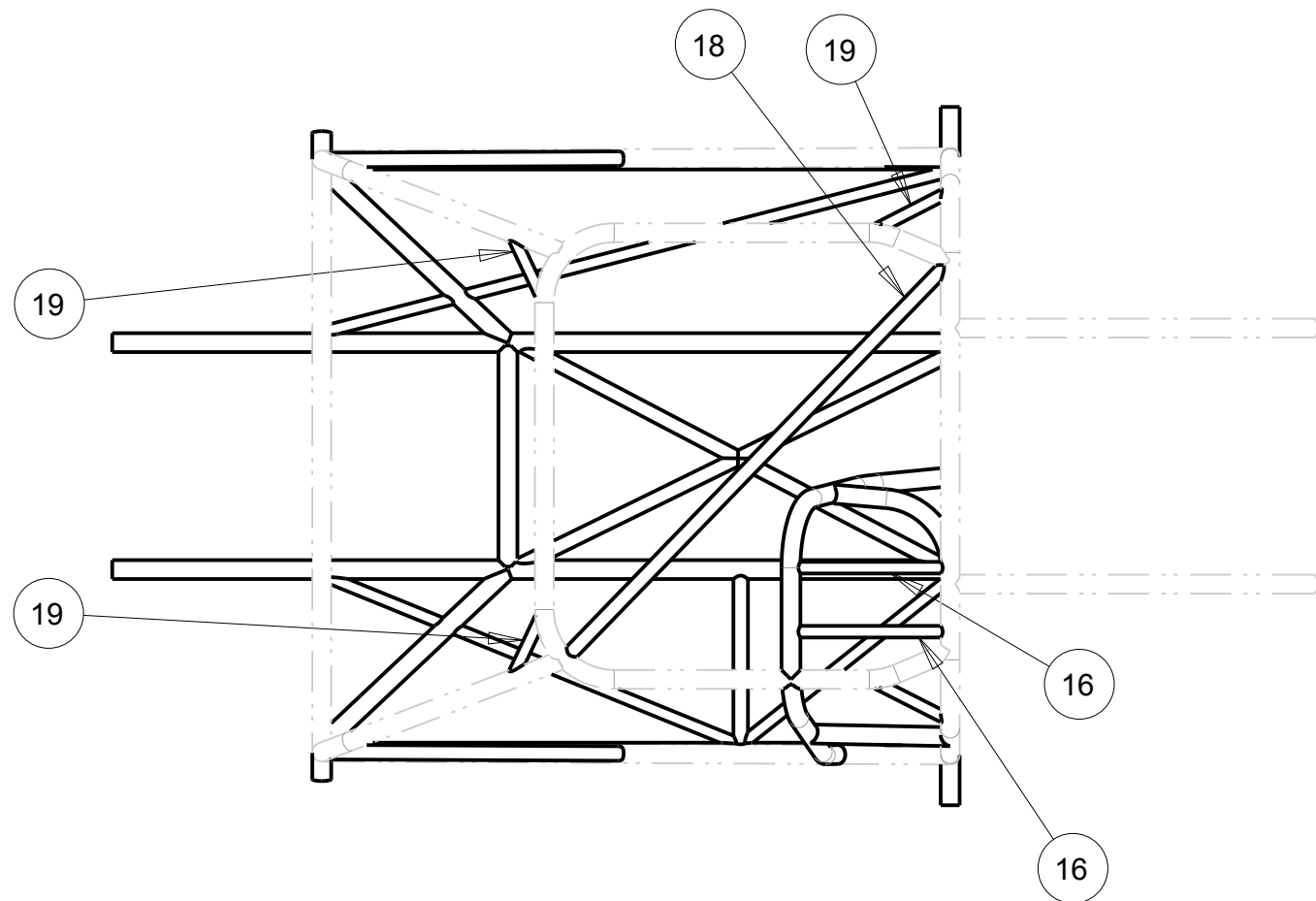
SECTION A-A  
SCALE 0.062



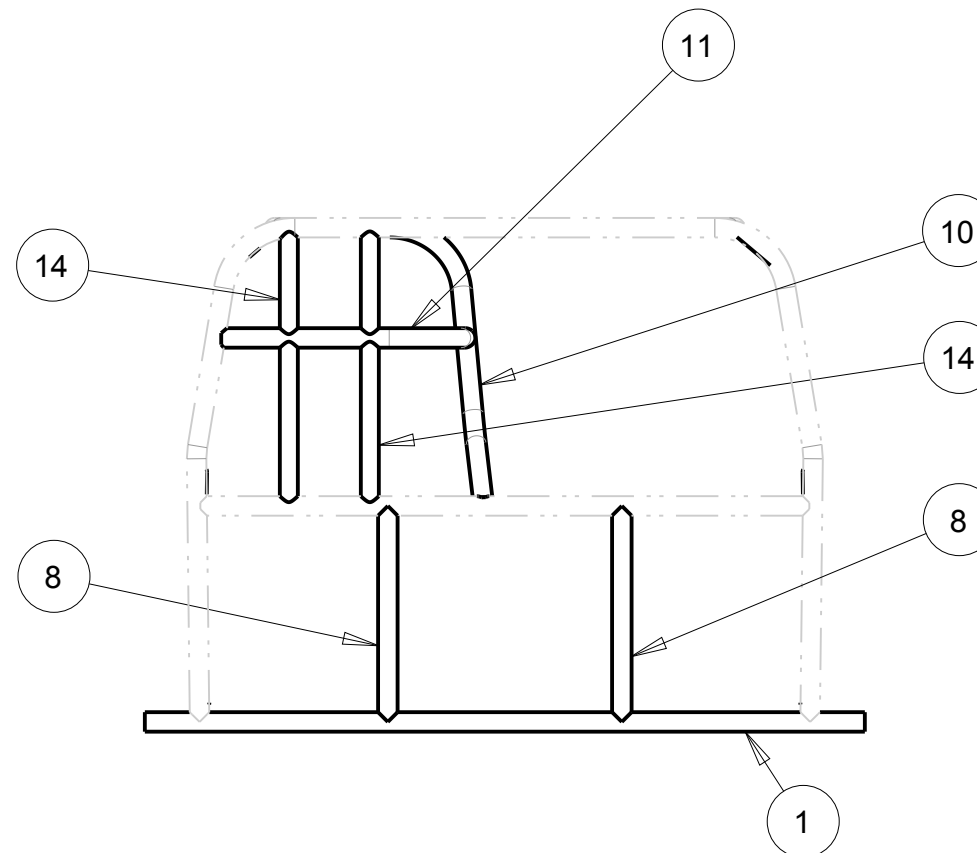
SECTION D-D



SECTION C-C  
SCALE 0.062



DRIVER SIDE VIEW



NOTE:  
1) REFER TO THE CONSTRUCTION NOTES AND SFI SPECIFICATIONS FOR COMPONENT LOCATIONS.  
2) SOME TUBE ARE NOT SHOWN IN ALL VIEWS.

REV	DATE	DRN	DESCRIPTION
C	03JUL13	JEB	REV F/C CAGE
B	07JAN04	JEB	ADD ITEM 22, REV FRT OUTRIGGERS
A	22OCT02	JEB	ADD ITEM 20 & 21
0	09FEB00	JEB	INITIAL RELEASE
			SFI 25-1E UPGRADE KIT ARRANGEMENT & SECTION VIEWS

S & W RACE CARS  
11 MENNONITE CHURCH RD  
SPRING CITY, PA 19475

PART No: 13-364

Drw No:13-364-2