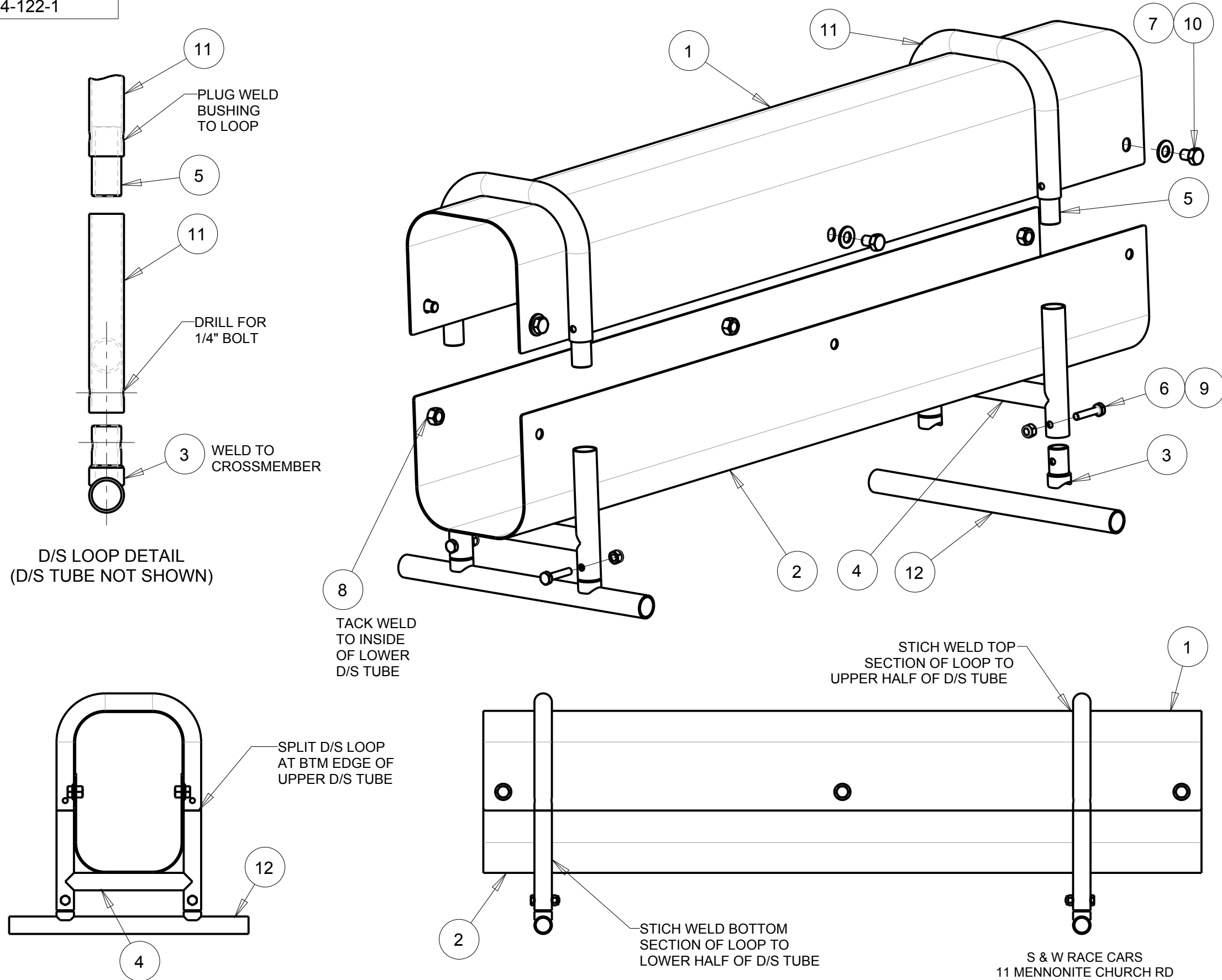


14-122-1



BILL OF MATERIALS

ITEM	QTY	PART No.	DESCRIPTION
1	1	14-122MS-01	DRIVE SHAFT TUBE - UPPER
2	1	14-122MS-02	DRIVE SHAFT TUBE - LOWER
3	4	14-117-03	DRIVE SHAFT LOOP STUD
4	2	14-117-04	DRIVE SHAFT LOOP CROSSMEMBER
5	4	14-117-05	DRIVE SHAFT LOOP BUSHING
6	4	65-006	1/4 X 1-1/4" BOLT
7	6	65-021	3/8 X 1/2" BOLT
8	6	65-102	3/8 HEX NUT
9	4	65-130	1/4-28 NYLOCK HEX NUT
10	6	65-202	3/8 FLAT WASHER
11	2	95-362	DRIVE SHAFT LOOP
12	2	1X095DOM	1" X 0.095 CROSSMEMBER

A	11APR17	JEB	CHANGED CROSSMEMBER (#12) WAS 083 WALL
0	22DEC16	JEB	INITIAL RELEASE
REV	DATE	DRN	DESCRIPTION
TOLERANCES: FRACTIONS ±1/32 2 PLC DEC ±0.01 3 PLC DEC ±0.005 ANGLES ±0.5°			DRIVE SHAFT TUBE GENERAL ARRANGEMENT
MAT'L:			
PART No: 14-122MS		DRW No: 14-122 - 1	

S & W RACE CARS
11 MENNONITE CHURCH RD
SPRING CITY, PA 19475