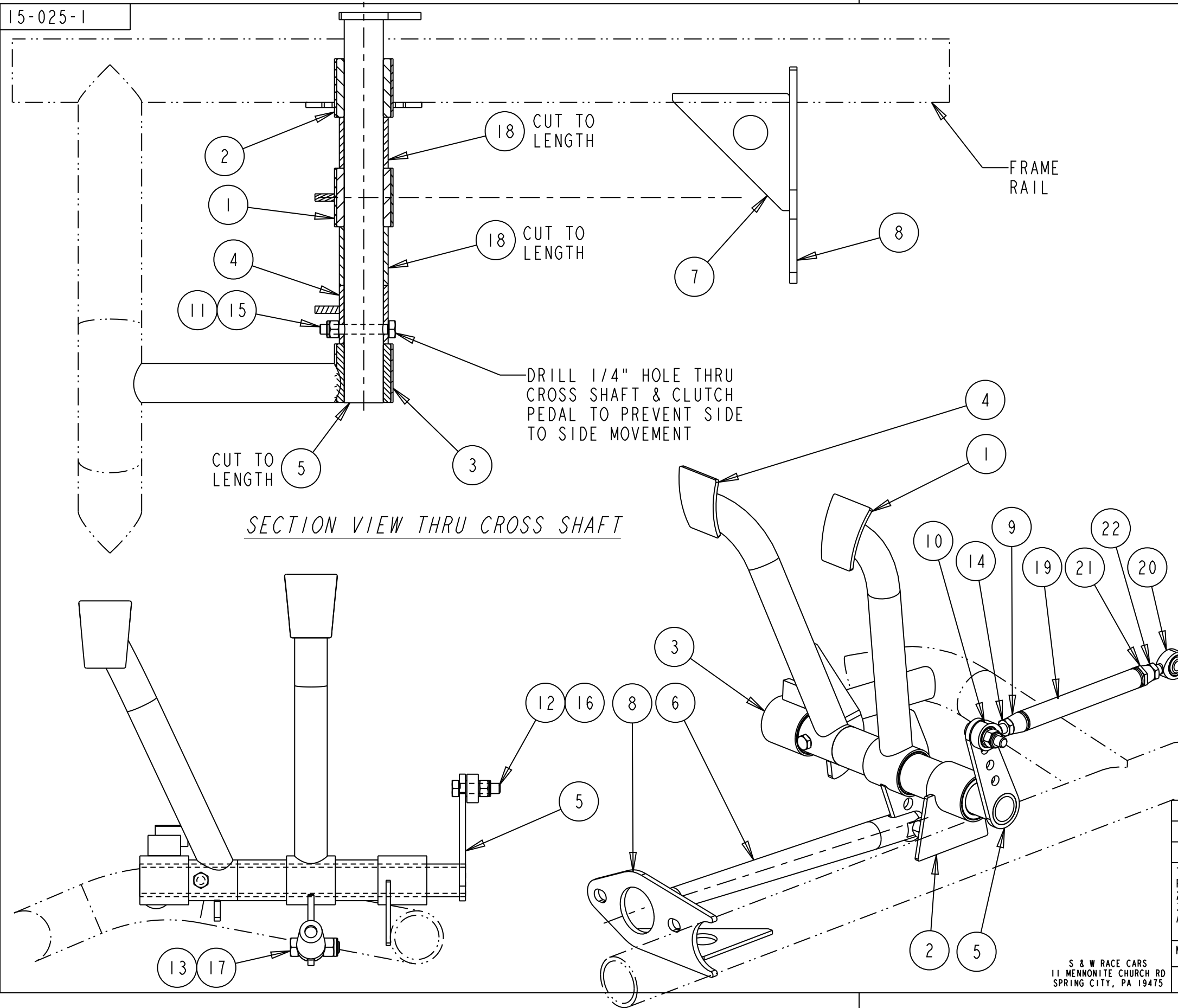


15-025-1



BILL OF MATERIALS

ITEM	QTY	PART No.	DESCRIPTION
1	1	15-0261	BRAKE PEDAL
2	1	15-0264	CROSS SHAFT SUPPORT
3	1	15-0265	CROSS SHAFT SUPPORT w/TUBE
4	1	15-0270	CLUTCH PEDAL
5	1	15-0271	CLUTCH PEDAL CROSS SHAFT
6	1	15-0276	BRAKE PEDAL LINK
7	1	60-326-02	GUSSET - MASTER CYL MNT
8	1	SEE NOTE	MASTER CYLINDER MNT
9	1	63-092	THREADED TUBE END RH
10	1	64-105	5/16 RHM STD ROD END
11	1	65-008	1/4 X 1-3/4" BOLT
12	1	65-014	5/16 X 1-1/4" BOLT
13	1	65-025	3/8 X 1 1/4" BOLT
14	1	65-111	5/16 JAM NUT RH
15	1	65-130	1/4-28 NYLOCK HEX NUT
16	1	65-131	5/16 NYLOCK NUT
17	1	65-132	3/8 NYLOCK NUT
18	1	1250X120DOMX4	SPACER TUBE
19	1	625X058CM	CLUTCH LINKAGE TUBE (CUT TO LT)
20	1	65-305	5/16 LHM STD ROD END
21	1	63-093	THREADED TUBE END LH
22	1	65-124	5/16 JAM NUT LH

NOTE: KIT SUPPLIED WITH MASTER CYLINDER MOUNTING BRACKET 60-326-01 FOR RECTANGULAR FRAME RAILS. SHOWN WITH MASTER CYLINDER MOUNT FOR ROUND TUBE. FOR ROUND TUBE USE OPTIONAL BRACKET; 60-327T FOR 1-1/4"Ø 60-390 FOR 1-5/8"Ø

A	05NOV13	JEB	ADDED LH HARDWARE
0	03AUG11	JEB	INITIAL RELEASE
REV	DATE	DRN	DESCRIPTION
TOLERANCES: FRACTIONS ±1/32 2 PLC DEC ±0.01 3 PLC DEC ±0.005 ANGLES ±0.5°			CLUTCH & BRAKE PEDAL KIT GENERAL ARRANGEMENT
MAT'L:			
PART No: 15-025			DRW No: 15-025 - 1

S & W RACE CARS  
11 MENNONITE CHURCH RD  
SPRING CITY, PA 19475