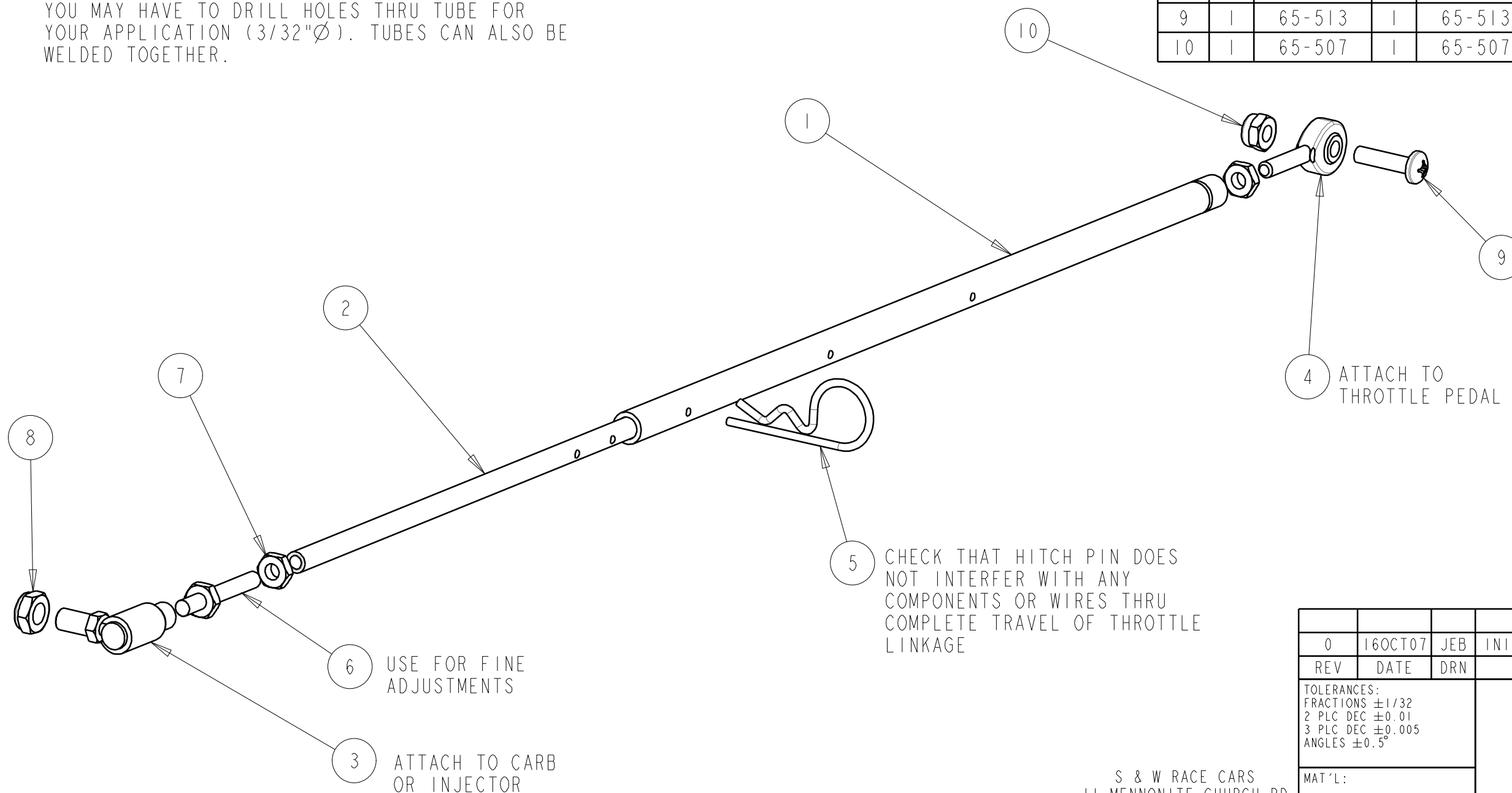


15-043-1

INSTALLATION NOTES:  
 THREAD ROD END INTO OUTER TUBE SO THAT APPX. 1/2 OF THE THREAD IS ENGAGED IN TUBE. ASSEMBLE BALL JOINT, THREADED ROD, HEX NUTS & INNER TUBE SO THAT APPX 1/2" OF THREADED IS SHOWING BETWEEN HEX NUTS.  
 SLIP TUBES TOGETHER AND ATTACH TO PEDAL AND CARB (OR INJECTOR).  
 USE ROD END & THREADED ROD TO ALIGN HOLES IN INNER & OUTER TUBES.  
 YOU MAY HAVE TO DRILL HOLES THRU TUBE FOR YOUR APPLICATION (3/32"Ø). TUBES CAN ALSO BE WELDED TOGETHER.

		15-042	15-043		
ITEM	QTY	PART No.	QTY	PART No.	DESCRIPTION
1	1	15-043-01	1	15-043-01	OUTER TUBE WELDMENT
2	1	95-702-01	1	95-702-01	SLIDER TUBE
3	1	70-500	1	70-501	CABLE QUICK DISCONNECT
4	1	64-103	1	64-103	3/16 ROD END
5	1	HPC102	1	HPC102	HITCH PIN
6	1	65-703	1	65-XYZ	10-32 THREADED ROD
7	3	65-508	3	65-508	10-32 HEX NUT
8	1	65-507	1	65-141	NYLOCK HEX NUT
9	1	65-513	1	65-513	10-32 X 3/4" SCREW
10	1	65-507	1	65-507	10-32 NYLOCK NUT



5 CHECK THAT HITCH PIN DOES NOT INTERFERE WITH ANY COMPONENTS OR WIRES THRU COMPLETE TRAVEL OF THROTTLE LINKAGE

4 ATTACH TO THROTTLE PEDAL

6 USE FOR FINE ADJUSTMENTS

3 ATTACH TO CARB OR INJECTOR

0	16OCT07	JEB	INITIAL RELEASE
REV	DATE	DRN	DESCRIPTION
TOLERANCES: FRACTIONS ±1/32 2 PLC DEC ±0.01 3 PLC DEC ±0.005 ANGLES ±0.5°			ADJUSTABLE THROTTLE LINKAGE GENERAL ARR'G'T
MAT'L:			
PART No: 15-043			DRW No: 15-043 - 1

S & W RACE CARS  
 11 MENNONITE CHURCH RD  
 SPRING CITY, PA 19475