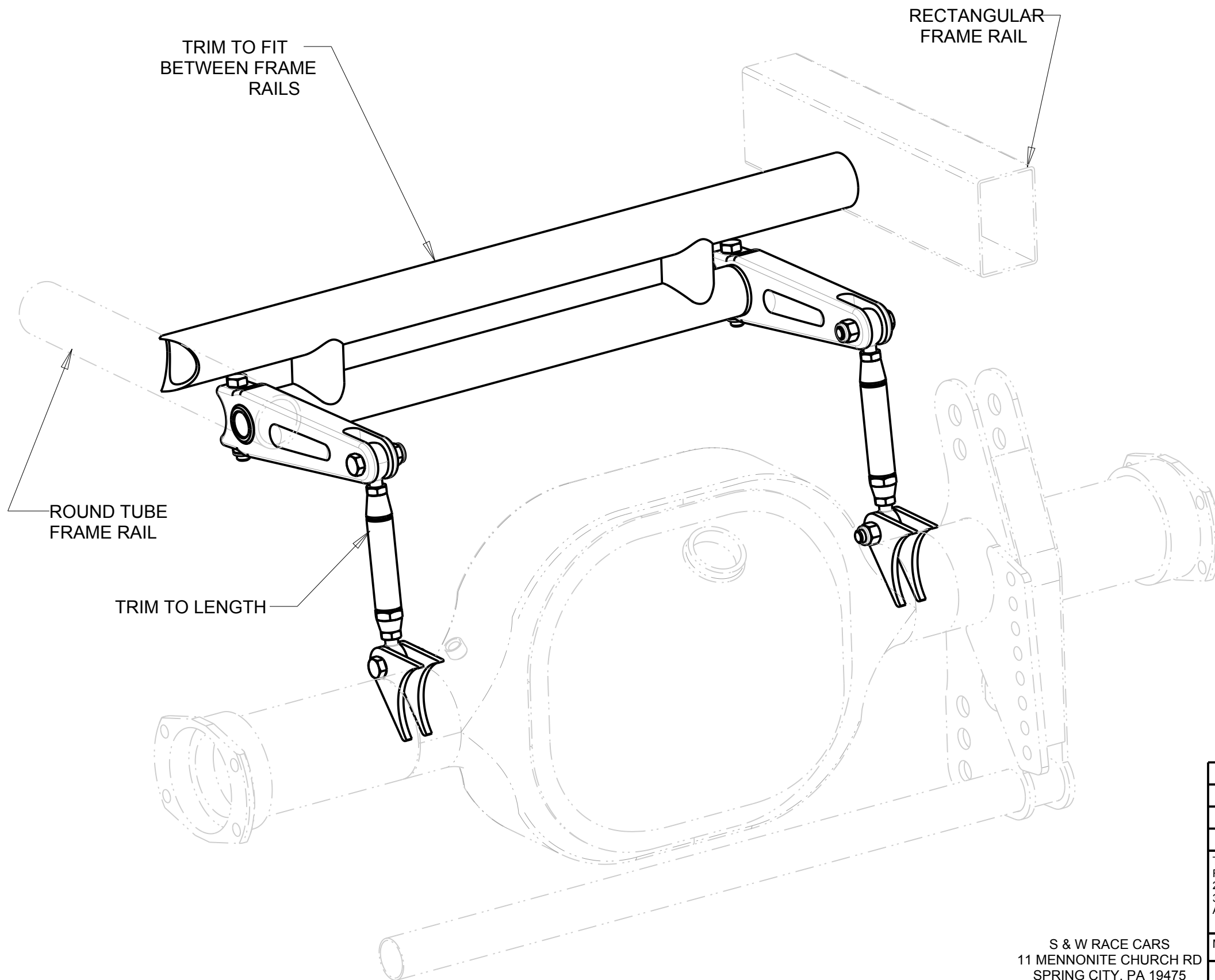


40-090-1



BILL OF MATERIALS

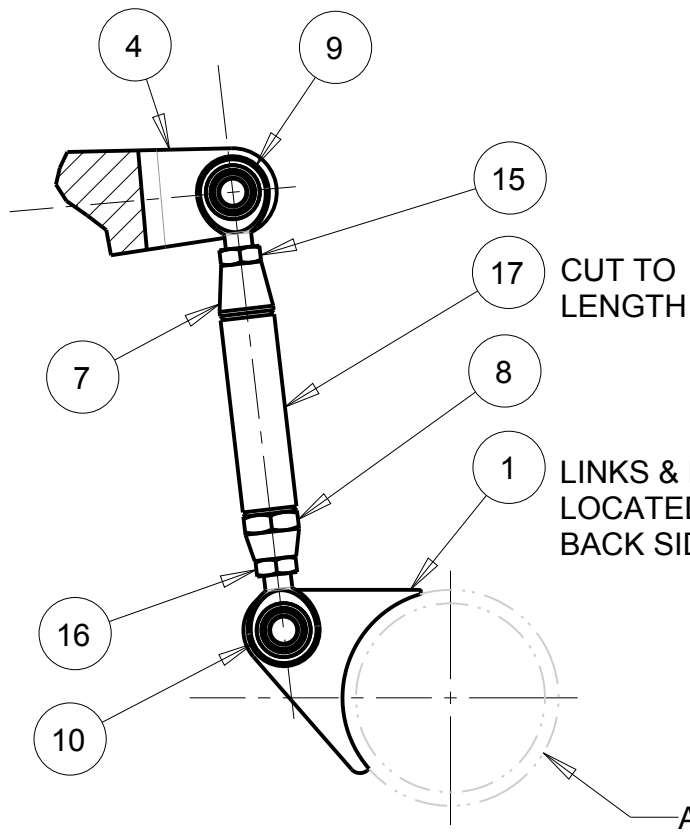
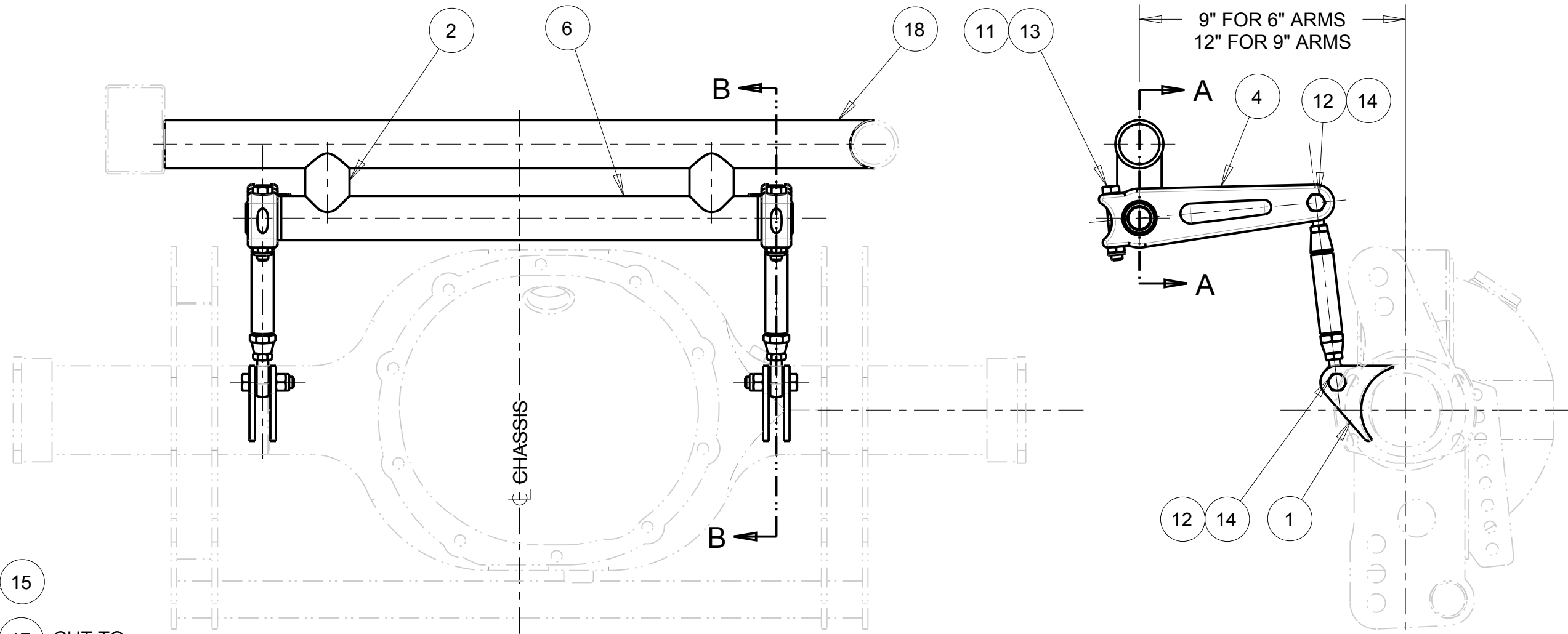
ITEM	QTY	PART No.	DESCRIPTION
1	4	60-348	AXLE TUBE BRKT (SEE NOTE 1)
2	2	40-907-02	TUBE STUB
3	1	40-900-XX	TORSION BAR
4	2	(SEE NOTE 2)	6" X 1 1/8" TORSION ARM
5	2	40-902	TORSION BAR BUSHING
6	1	1500X095CMX__	TORSION BAR TUBE
7	2	63-080	THREADED TUBE END
8	2	63-081	THREADED TUBE END, LH
9	2	64-106	3/8 RHM STD ROD END
10	2	64-306	3/8 LHM STD ROD END
11	2	65-143	3/8 NYLOCK HALF NUT
12	4	65-026	3/8 X 1 1/2" BOLT
13	2	65-029	3/8 X 2 1/4" LG BOLT
14	4	65-132	3/8 NYLOCK NUT
15	2	65-112	3/8 JAM NUT
16	2	65-113	3/8 JAM NUT, LH
17	2	750X058CMX12	3/4"Ø X 0.058 TUBING
18	1	1625X134	1 5/8"Ø X 0.134 TUBING

NOTE:

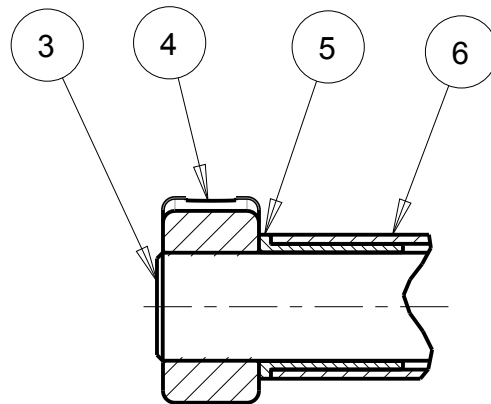
1. AXLE TUBE BRACKETS MAY BE ATTACHED TO FRONT OR REAR SIDE OF AXLE TUBES.
2. 6" TORSION BAR ARM PART No 40-015.
9" TORSION BAR ARM PART No 40-014.

B	10MAY17	JEB	ADDED NOTE 1 & 2.
A	25JUN14	JEB	REVISED AXLE TUBE BRKT'S
0	19MAY09	JEB	INITIAL RELEASE
REV	DATE	DRN	DESCRIPTION
TOLERANCES: FRACTIONS ±1/32 2 PLC DEC ±0.01 3 PLC DEC ±0.005 ANGLES ±0.5°			ANTI-ROLL BAR KIT GENERAL ARRANGEMENT 40-090, 40-091, 40-092, 40-097 & 40-614
MAT'L:			
PART No:			DRW No: 40-090 - 1

S & W RACE CARS
11 MENNONITE CHURCH RD
SPRING CITY, PA 19475



SECTION B-B
SCALE 0.375



SECTION A-A
SCALE 0.500

REV	DATE	DRN	DESCRIPTION
B	10MAY17	JEB	ADDED NOTES
A	25JUN14	JEB	REVISED THE AXLE TABS
0	19MAY09	JEB	INITIAL RELEASE
TOLERANCES: FRACTIONS ±1/32 2 PLC DEC ±0.01 3 PLC DEC ±0.005 ANGLES ±0.5°			ANTI-ROLL BAR KIT SECTION & DETAIL VIEWS PART No: 40-003 & 40-907
MAT'L:			

S & W RACE CARS
11 MENNONITE CHURCH RD
SPRING CITY, PA 19475