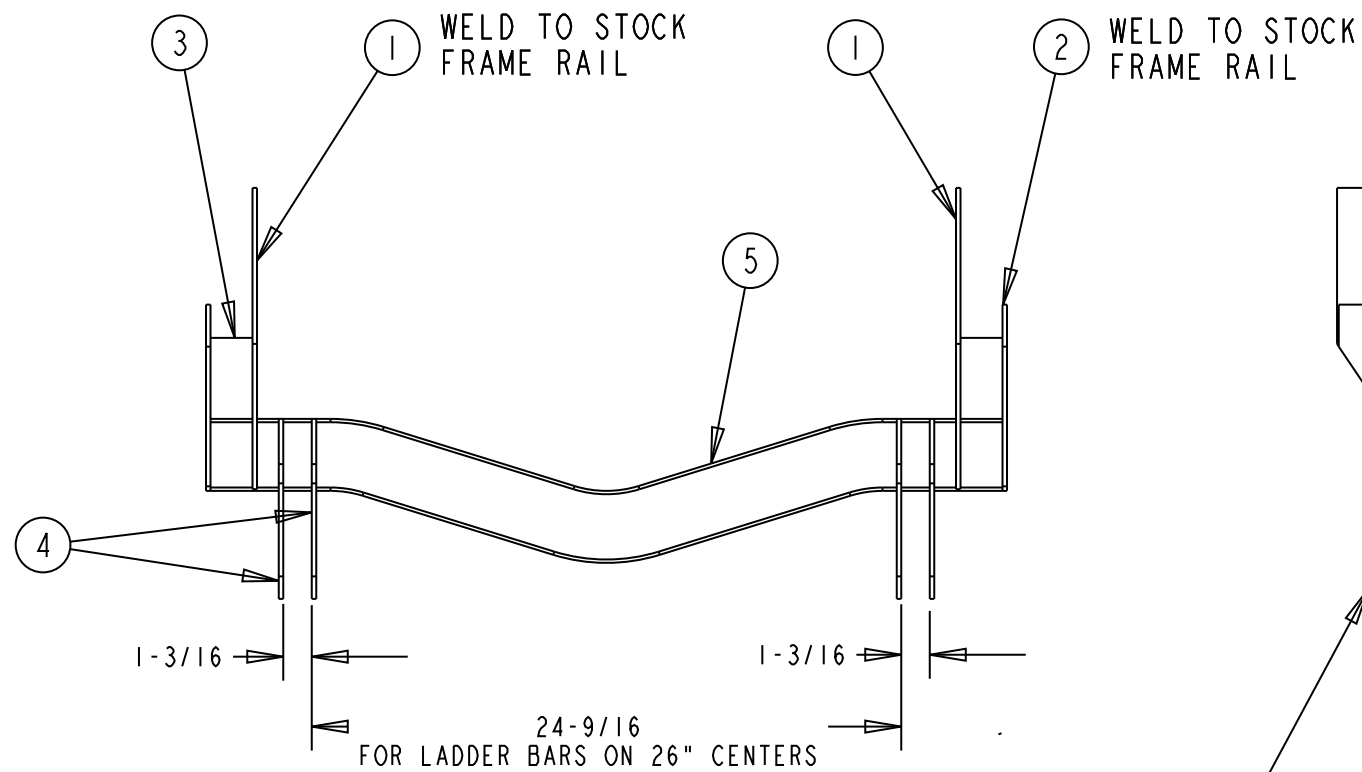
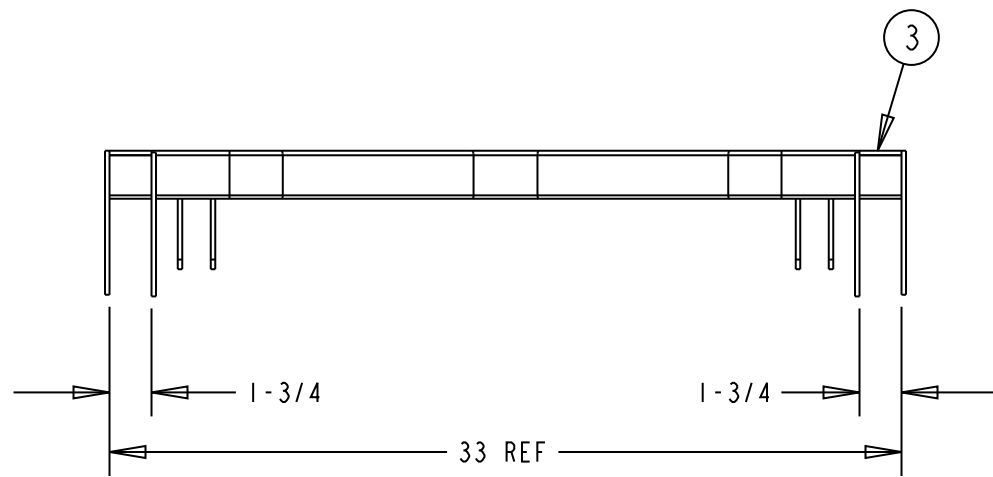
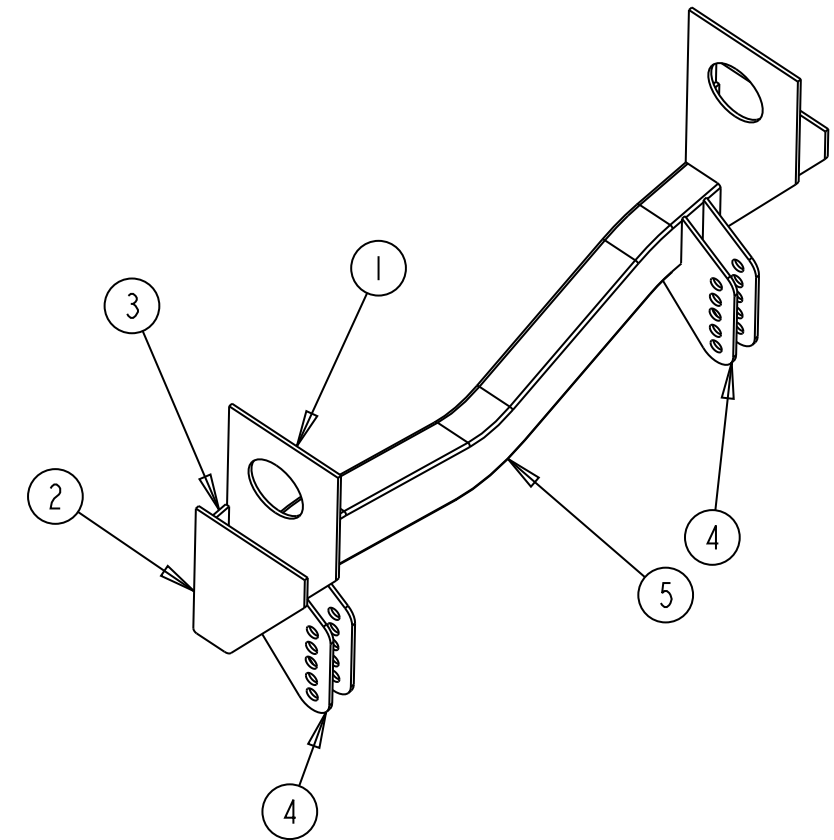
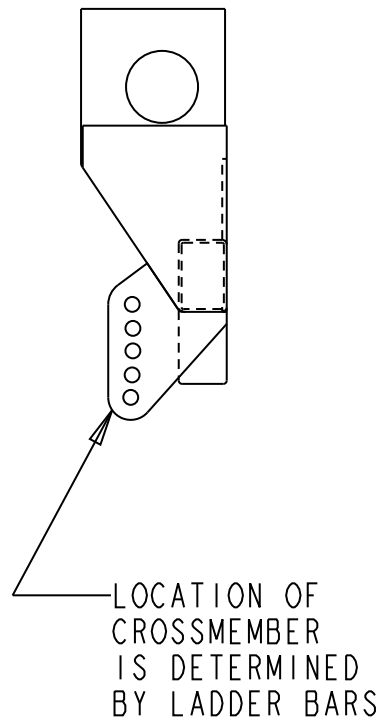


40-207-1



CROSSMEMBER ASSEMBLY
REAR VIEW



ITEM	QTY	DESCRIPTION
1	2	INNER FRAME BRACKET
2	2	OUTER FRAME BRACKET
3	2	FRAME BRACKET CAP PLATE
4	4	LADDER BAR BRACKETS, FRONT
5	1	CROSSMEMBER, 2 X 3, BENT
6	1	SHOCK CROSSMEMBER (NOT SHOWN)

REV	DATE	DRN	DESCRIPTION
C	14NOV13	JEB	REV C 'MEM WIDTH, WAS 33-1/4"
B	04FEB11	JEB	ADDED CROSSMEMBER #6 TO BOM
A	08MAR06	JEB	CHANGE SHT SIZE TO "B", ADDED NOTES
0	09DEC98	JEB	INITIAL RELEASE

TOLERANCES: FRACTIONS ±1/32 2 PLC DEC ±0.01 3 PLC DEC ±0.005 ANGLES ±0.5°		LADDER BAR CROSSMEMBER FORD RANGER GENERAL ARRANGEMENT	
---	--	--	--

S & W RACE CARS
11 MENNONITE CHURCH RD
SPRING CITY, PA 19475

PART No: 40-207

DRW No: 40-207 - 1