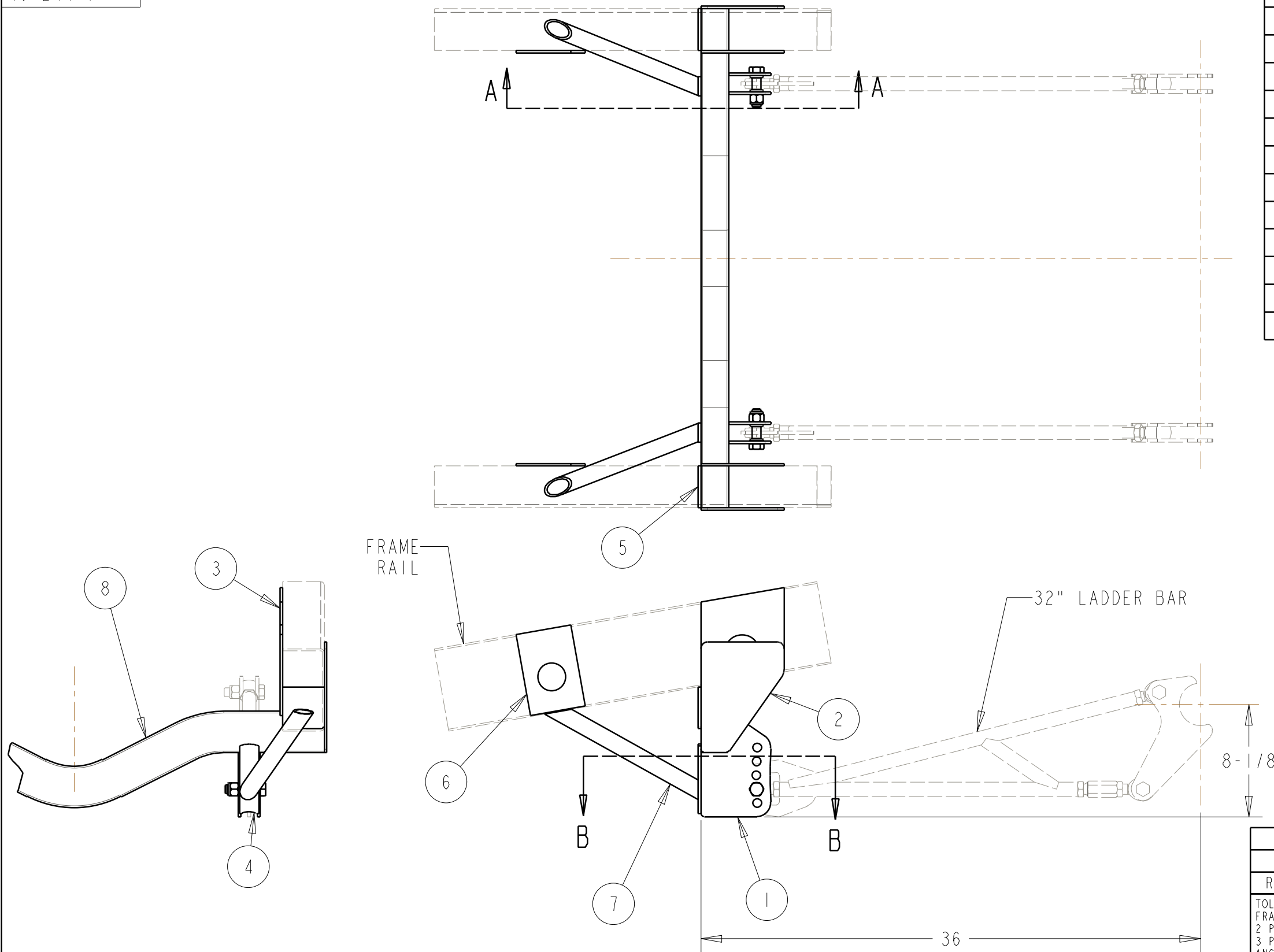


40-244-1

BILL OF MATERIALS

ITEM	QTY	PART No.	DESCRIPTION
1	4	40-244-01	LADDER BAR BRACKET
2	2	40-244-02	CROSSMEMBER END MNTG PLATE
3	2	40-244-03	CROSSMEMBER INNER MNTG PLATE
4	2	40-244-04	LADDER BAR CAP PLATE
5	2	40-244-05	MOUNTING PLATE CAP PLATE
6	2	40-244-06	FRAME BOXING PLATE
7	1	1250X120DOMX36	DIAGONAL TUBE
8	1	40-209-4	4" DROPPED CROSSMEMBER
9	2	63-075	5/8" HALF MOON
10	2	65-063	5/8 X 2-1/2" BOLT
11	2	65-137	5/8 NYLOCK NUT

NOTE: WELD ALL JOINTS BOTH SIDES & ALL ROUND AS COMPLETELY AS POSSIBLE.



0	18JAN08	JEB	INITIAL RELEASE
REV	DATE	DRN	DESCRIPTION
TOLERANCES: FRACTIONS ±1/32 2 PLC DEC ±0.01 3 PLC DEC ±0.005 ANGLES ±0.5°			TRUCK LADDER BAR CROSSMEMBER KIT GENERAL ARRANGEMENT
MAT'L:			
PART No: 40-244			DRW No: 40-244 - 1

S & W RACE CARS
11 MENNONITE CHURCH RD
SPRING CITY, PA 19475