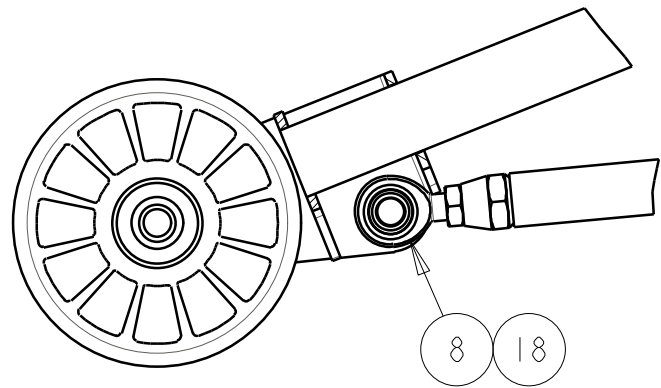
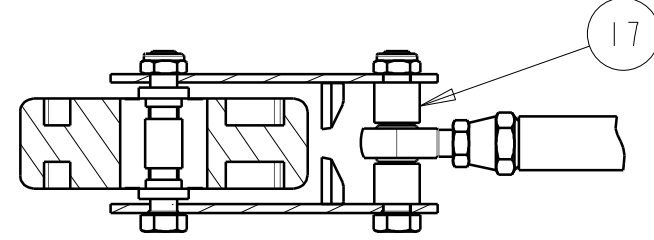


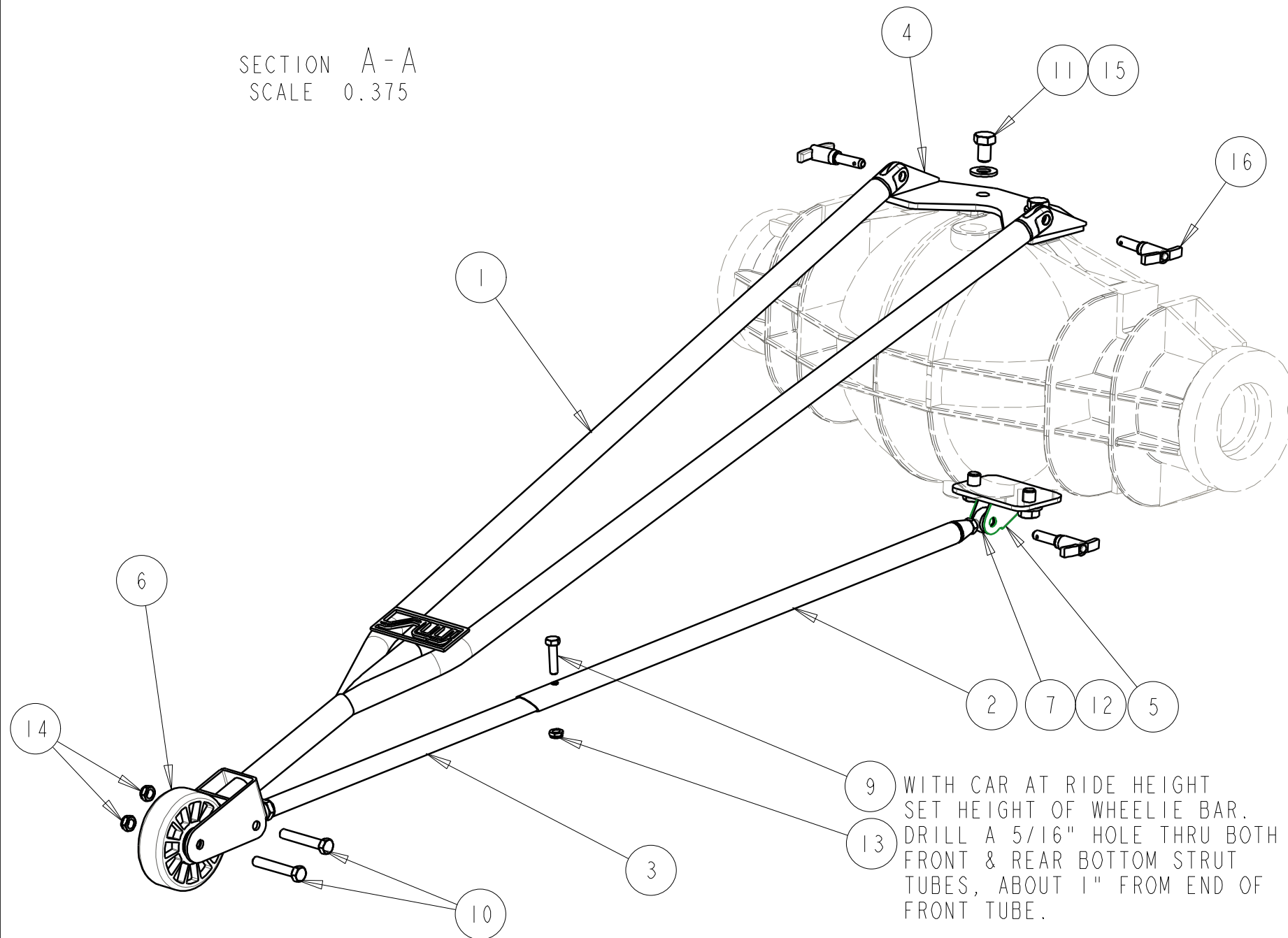
40-306-1



SECTION A-A
SCALE 0.375



SECTION B-B
SCALE 0.375



9 WITH CAR AT RIDE HEIGHT
SET HEIGHT OF WHEELIE BAR.
13 DRILL A 5/16" HOLE THRU BOTH
FRONT & REAR BOTTOM STRUT
TUBES, ABOUT 1" FROM END OF
FRONT TUBE.

BILL OF MATERIALS

ITEM	QTY	PART No.	DESCRIPTION
1	1	40-306-01	TOP STRUT WELDMENT
2	1	40-306-02	BOTTOM STRUT - FRONT
3	1	40-306-03	BOTTOM STRUT - REAR
4	1	40-306-04	TOP MOUNTING BRACKET
5	1	40-306-05	WHEELIE BAR MOUNT - BTM
6	1	40-350-1	WHEELIE BAR WHEEL ASSY
7	1	64-106	3/8 RHM STD ROD END
8	1	64-306	3/8 LHM STD ROD END
9	1	65-014	5/16 X 1-1/4" BOLT
10	2	65-029	3/8 X 2 1/4" LG BOLT
11	4	65-042	1/2 X 3/4" HH BOLT
12	1	65-112	3/8 JAM NUT
13	1	65-142	5/16 NYLOCK HALF NUT
14	2	65-143	3/8 NYLOCK HALF NUT
15	4	65-204	1/2 FLAT WASHER
16	3	66-008	3/8 X 1" QUICK PIN
17	2	625X120CMX056	SPACER
18	1	65-113	3/8 LH JAM NUT

0	28SEP10	JEB	INITIAL RELEASE
REV	DATE	DRN	DESCRIPTION
TOLERANCES: FRACTIONS ±1/32 2 PLC DEC ±0.01 3 PLC DEC ±0.005 ANGLES ±0.5°			48" SINGLE WHEELIE BAR GENERAL ARRANGEMENT
MAT'L:			
PART No: 40-306			DRW No: 40-306 - 1

S & W RACE CARS
11 MENNONITE CHURCH RD
SPRING CITY, PA 19475