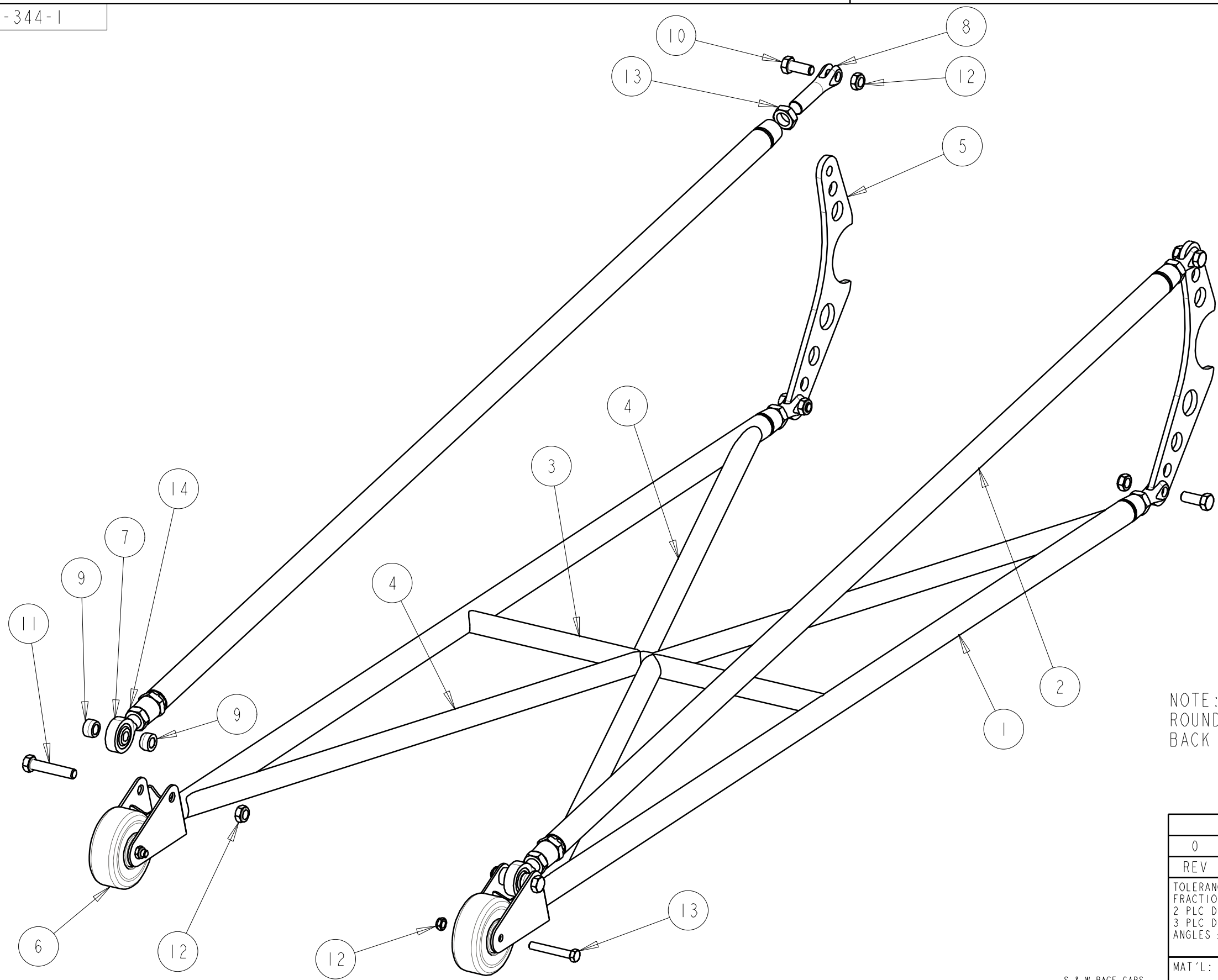


40-344-1



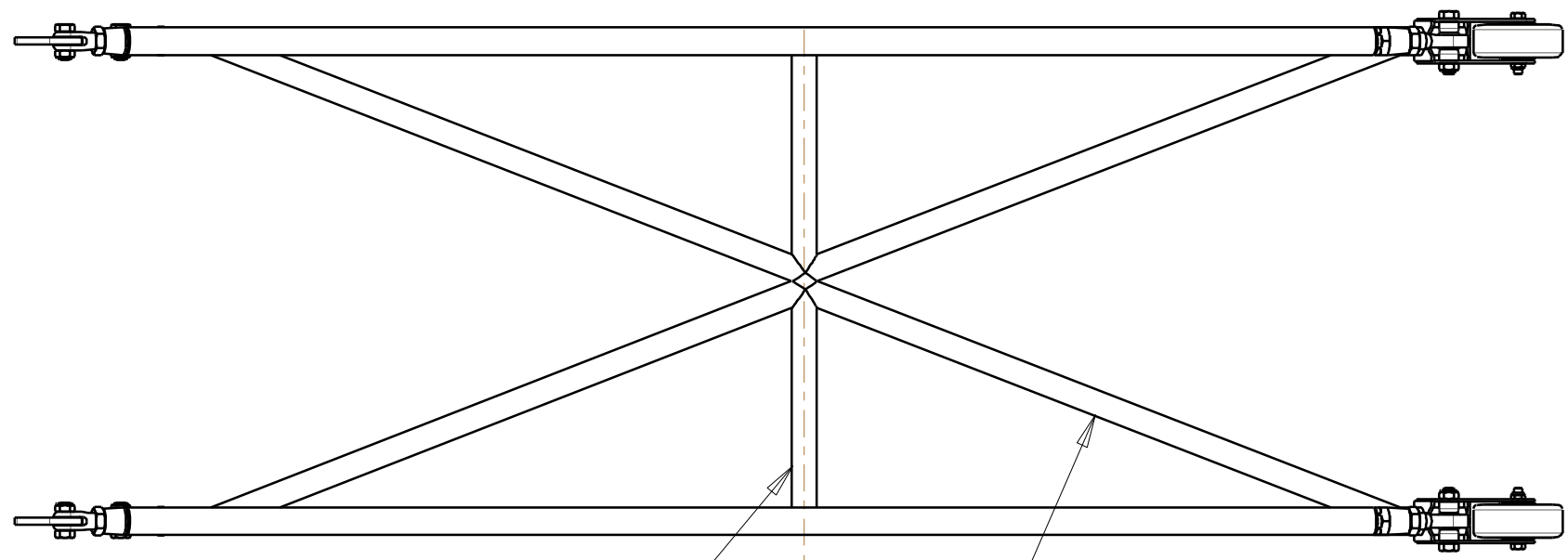
BILL OF MATERIALS			
ITEM	QTY	PART No.	DESCRIPTION
1	2	40-344-01	LOWER STRUT WELDMNT
2	2	40-344-02	TOP STRUT WELDMNT
3	1	40-344-T1	CROSSMEMBER
4	4	40-344-T2	X-MEMBER
5	2	SEE NOTE	WHL BAR HSG BRKT
6	2	40-315-0	WHEELIE BAR WHEEL
7	2	64-812	SHPERICAL ROD END
8	4	64-811	CLEVIS, 1/2 X 3/4
9	4	63-070	1/2" ROD END SPACER
10	4	65-044	1/2 X 1-1/4" HH BOLT
11	2	65-049	1/2 X 2-1/2" LG BOLT
12	6	65-145	1/2" NYLOCK HALF NUT
13	4	65-120	3/4 JAM NUT
14	2	65-121	3/4 JAM NUT, LH
15	2	65-143	3/8 NYLOCK HALF NUT
16	2	65-030	3/8 X 2 1/2" LG BOLT

NOTE:
 ROUND TUBE HOUSING BRACKET 40-3442 (SHOWN)
 BACK BRACE HOUSING BRACKET 40-3452 (NOT SHOWN)

0	27DEC10	JEB	INITIAL RELEASE
REV	DATE	DRN	DESCRIPTION
TOLERANCES: FRACTIONS ±1/32 2 PLC DEC ±0.01 3 PLC DEC ±0.005 ANGLES ±0.5°			UNWELDED 68" TUBULAR WHEELIE BAR KITS GENERAL ARRANGEMENT VIEW
MAT'L:			40-344 ROUND TUBE HSG BRKT 40-345 SQ BACK BRACE HSG BRKT
PART No: 40-344			DRW No: 40-344 - 1

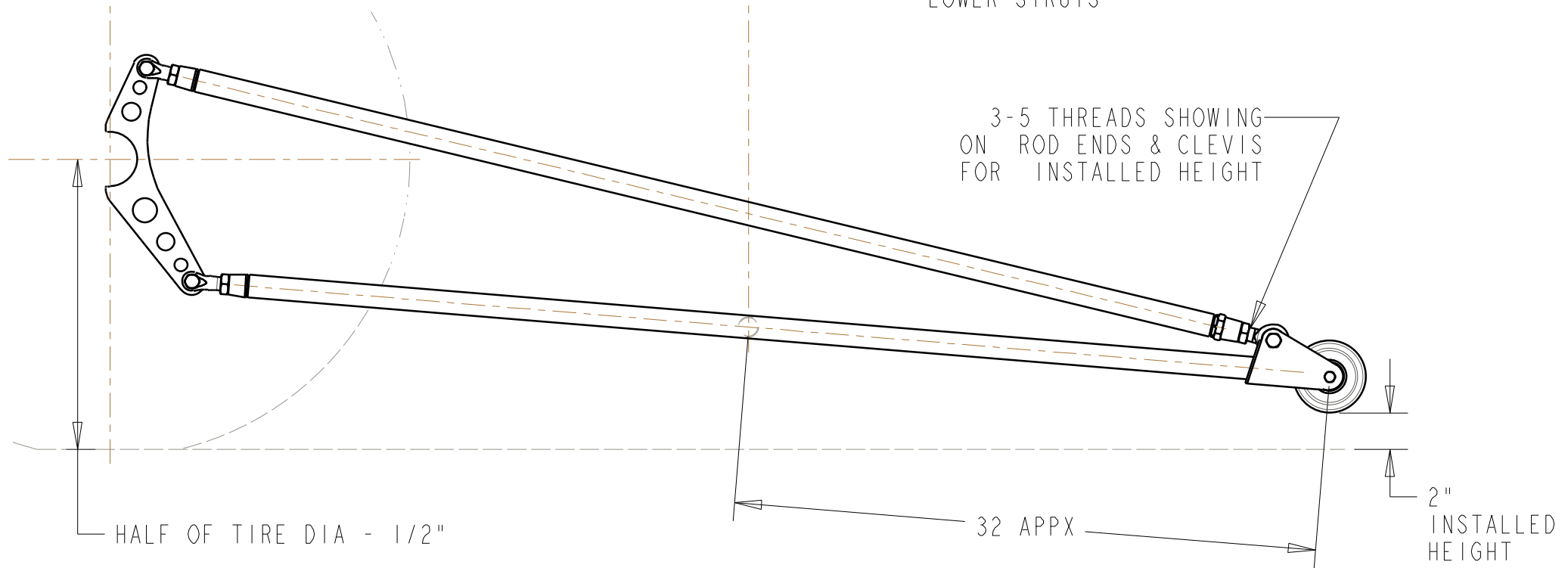
S & W RACE CARS
 11 MENNONITE CHURCH RD
 SPRING CITY, PA 19475

40-344-2



CROSSMEMBER WELDED BETWEEN LOWER STRUTS

X-MEMBERS WELDED TO CROSSMEMBER & LOWER STRUTS

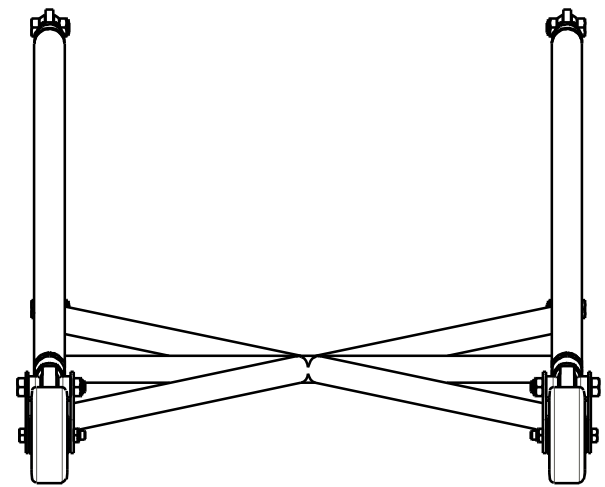


3-5 THREADS SHOWING ON ROD ENDS & CLEVIS FOR INSTALLED HEIGHT

HALF OF TIRE DIA - 1/2"

32 APPX

2" INSTALLED HEIGHT



0	27DEC10	JEB	INITIAL RELEASE
REV	DATE	DRN	DESCRIPTION
TOLERANCES: FRACTIONS ±1/32 2 PLC DEC ±0.01 3 PLC DEC ±0.005 ANGLES ±0.5°			UNWELDED 68" WHEELIE BAR KIT SIDE, TOP & REAR VIEWS
MAT'L:			
PART No: 40-344			DRW No: 40-344 - 2

S & W RACE CARS
11 MENNONITE CHURCH RD
SPRING CITY, PA 19475