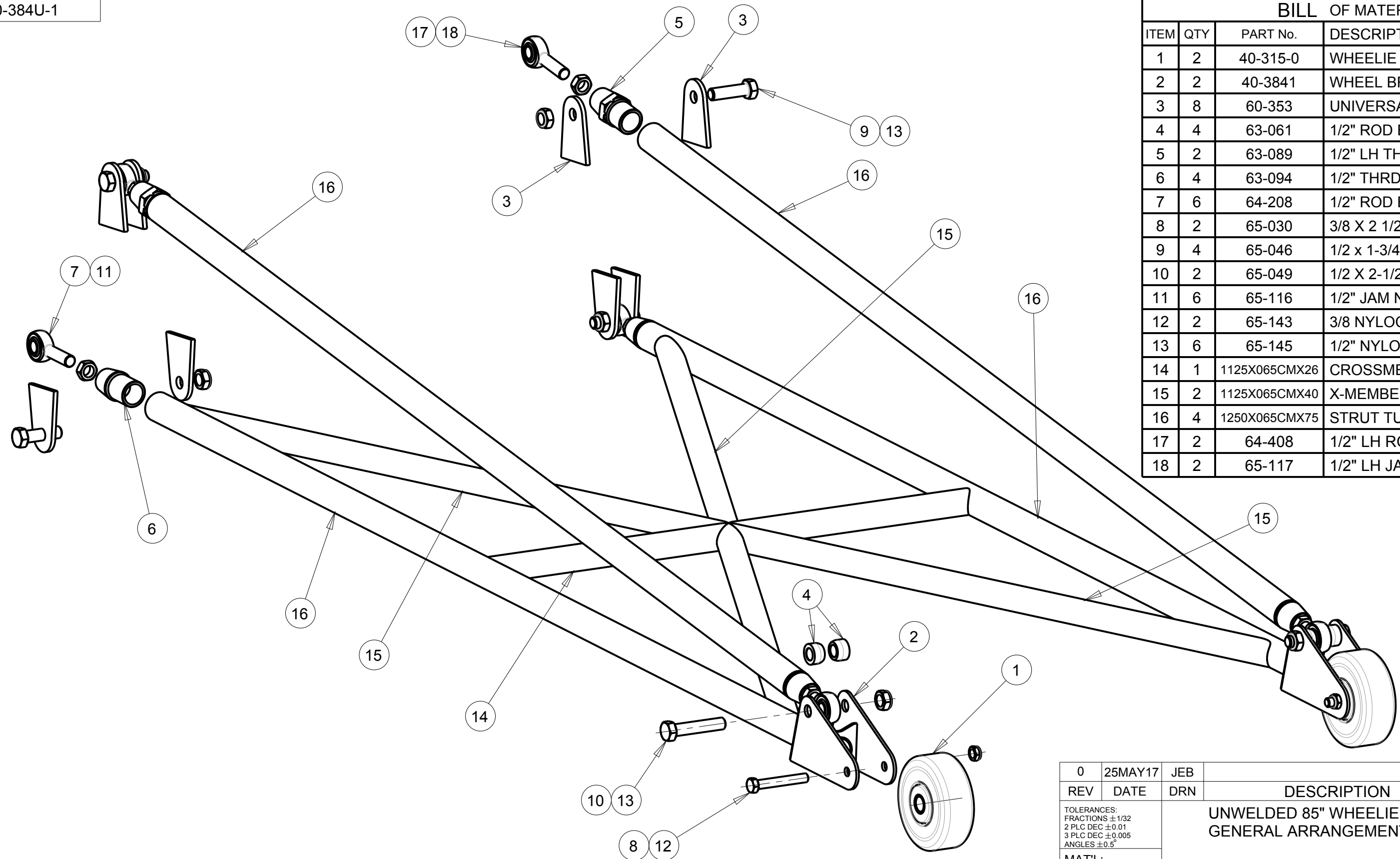


40-384U-1



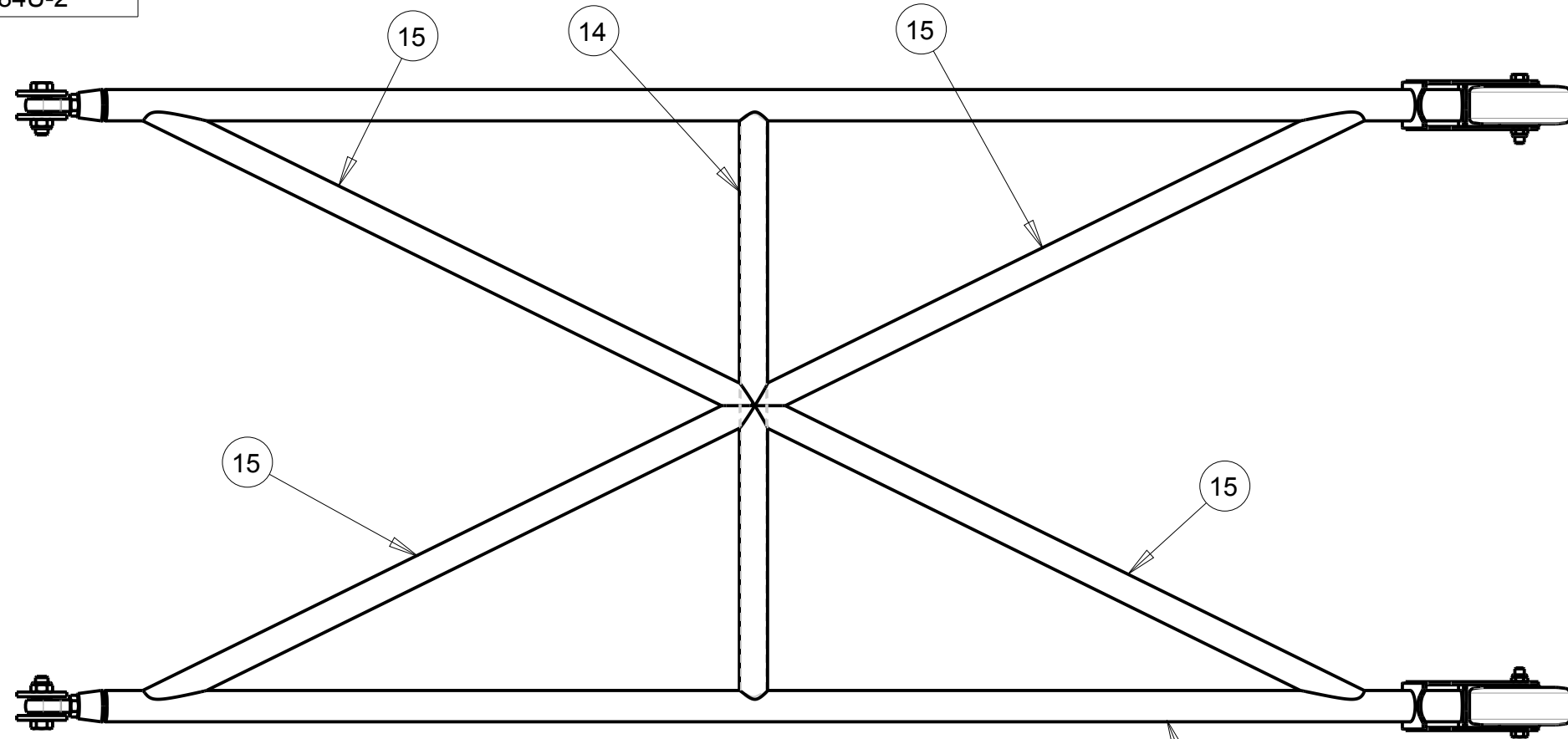
BILL OF MATERIALS

ITEM	QTY	PART No.	DESCRIPTION
1	2	40-315-0	WHEELIE BAR WHEEL
2	2	40-3841	WHEEL BRACKET WELDMENT
3	8	60-353	UNIVERSAL TAB
4	4	63-061	1/2" ROD END SPACER
5	2	63-089	1/2" LH THRD TUBE END
6	4	63-094	1/2" THRD TUBE END
7	6	64-208	1/2" ROD END
8	2	65-030	3/8 X 2 1/2" LG BOLT
9	4	65-046	1/2 X 1-3/4" BOLT
10	2	65-049	1/2 X 2-1/2" LG BOLT
11	6	65-116	1/2" JAM NUT
12	2	65-143	3/8 NYLOCK HALF NUT
13	6	65-145	1/2" NYLOCK HALF NUT
14	1	1125X065CMX26	CROSSMEMBER
15	2	1125X065CMX40	X-MEMBER
16	4	1250X065CMX75	STRUT TUBE
17	2	64-408	1/2" LH ROD END
18	2	65-117	1/2" LH JAM NUT

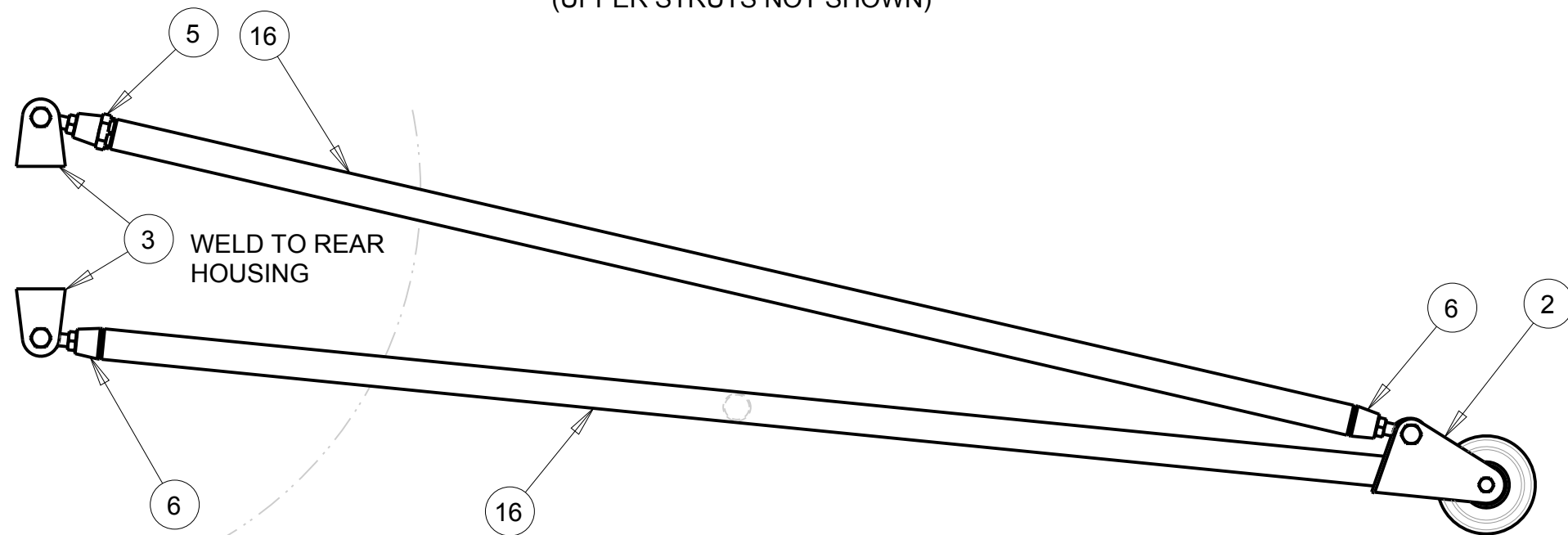
S & W RACE CARS
 11 MENNONITE CHURCH RD
 SPRING CITY, PA 19475

0	25MAY17	JEB	
REV	DATE	DRN	DESCRIPTION
TOLERANCES: FRACTIONS ±1/32 2 PLC DEC ±0.01 3 PLC DEC ±0.005 ANGLES ±0.5°			UNWELDED 85" WHEELIE BAR KIT GENERAL ARRANGEMENT
MAT'L:			
		PART No: 40-384	DRW No: 40-384U - 1

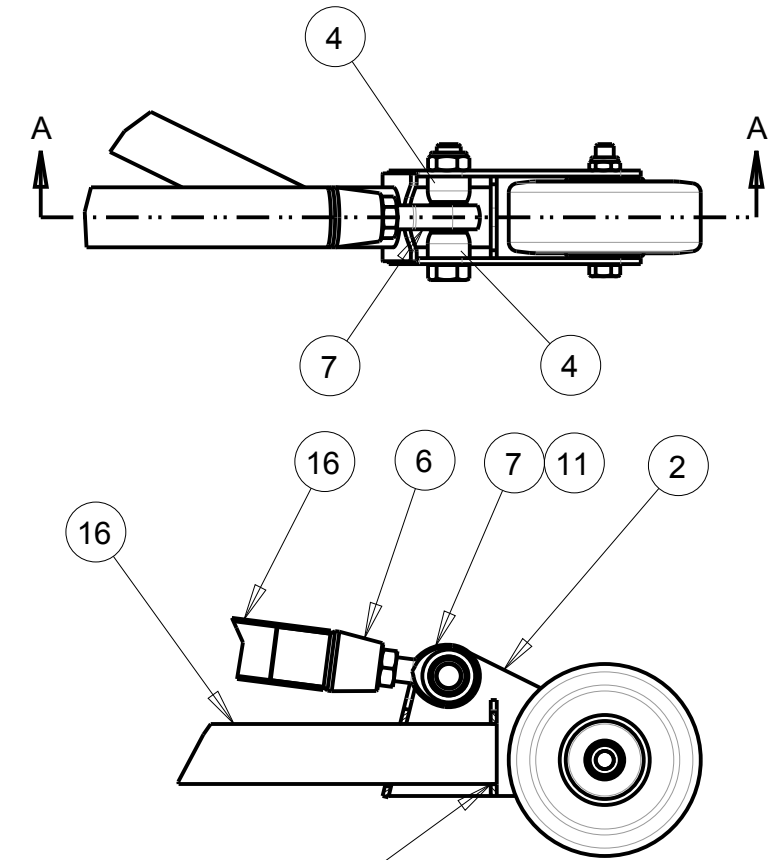
40-384U-2



BOTTOM STRUT ARRANGEMENT
(UPPER STRUTS NOT SHOWN)



WELD TO REAR HOUSING



ALIGN END OF TUBE WITH INNER BRACKET

SECTION A-A

S & W RACE CARS
11 MENNONITE CHURCH RD
SPRING CITY, PA 19475

0	25MAY17	JEB	
REV	DATE	DRN	DESCRIPTION
TOLERANCES: FRACTIONS $\pm 1/32$ 2 PLC DEC ± 0.01 3 PLC DEC ± 0.005 ANGLES $\pm 0.5^\circ$			UNWELDED 85" WHEELIE BAR KIT SECTIONS & DETAILS
MAT'L:			
		PART No: 40-384	DRW No: 40-384U - 2