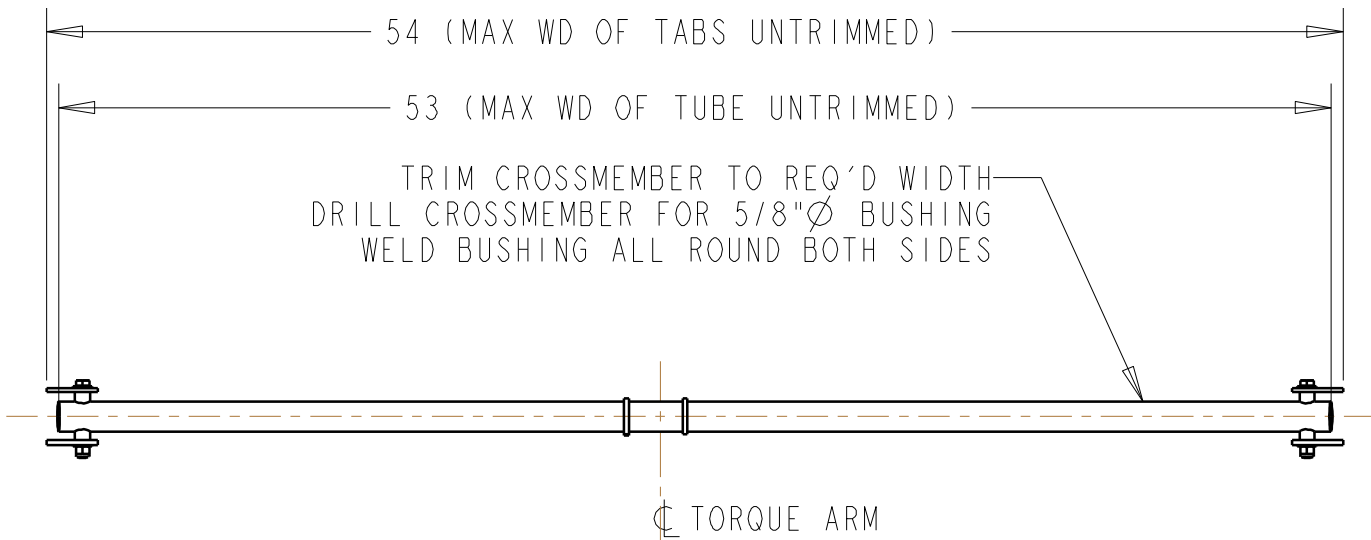
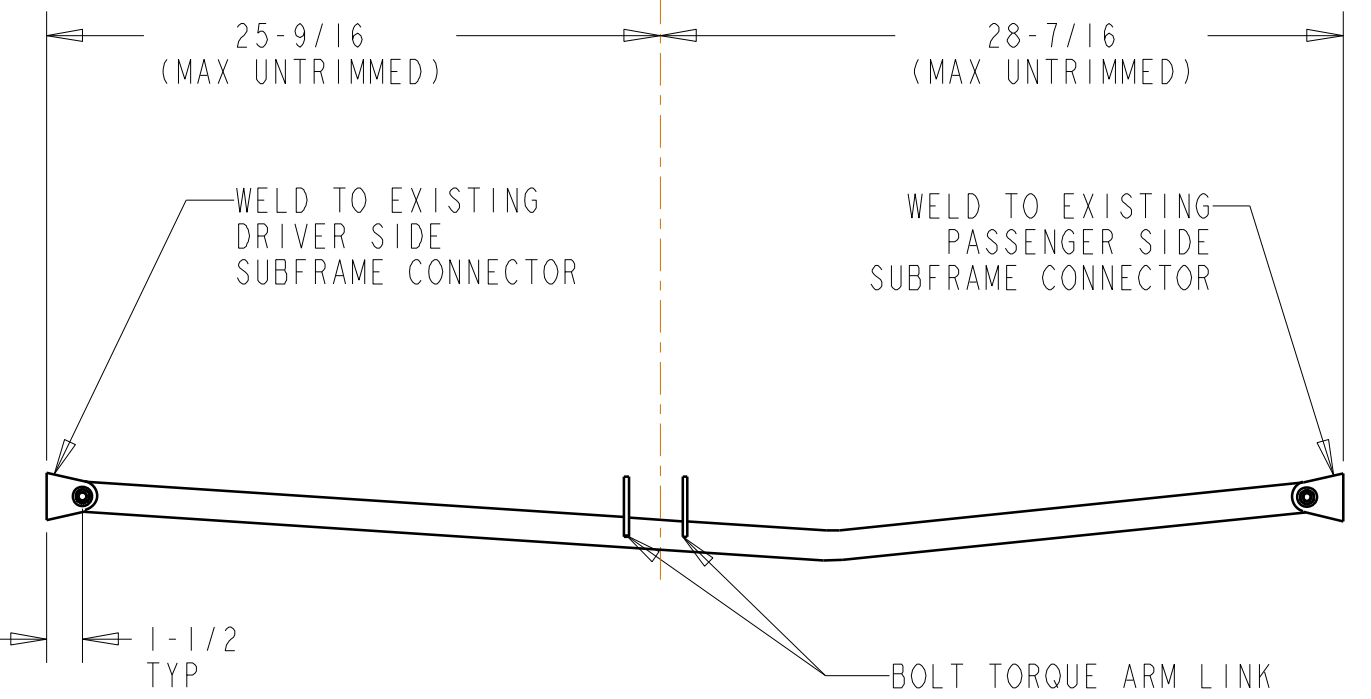


40-604-1

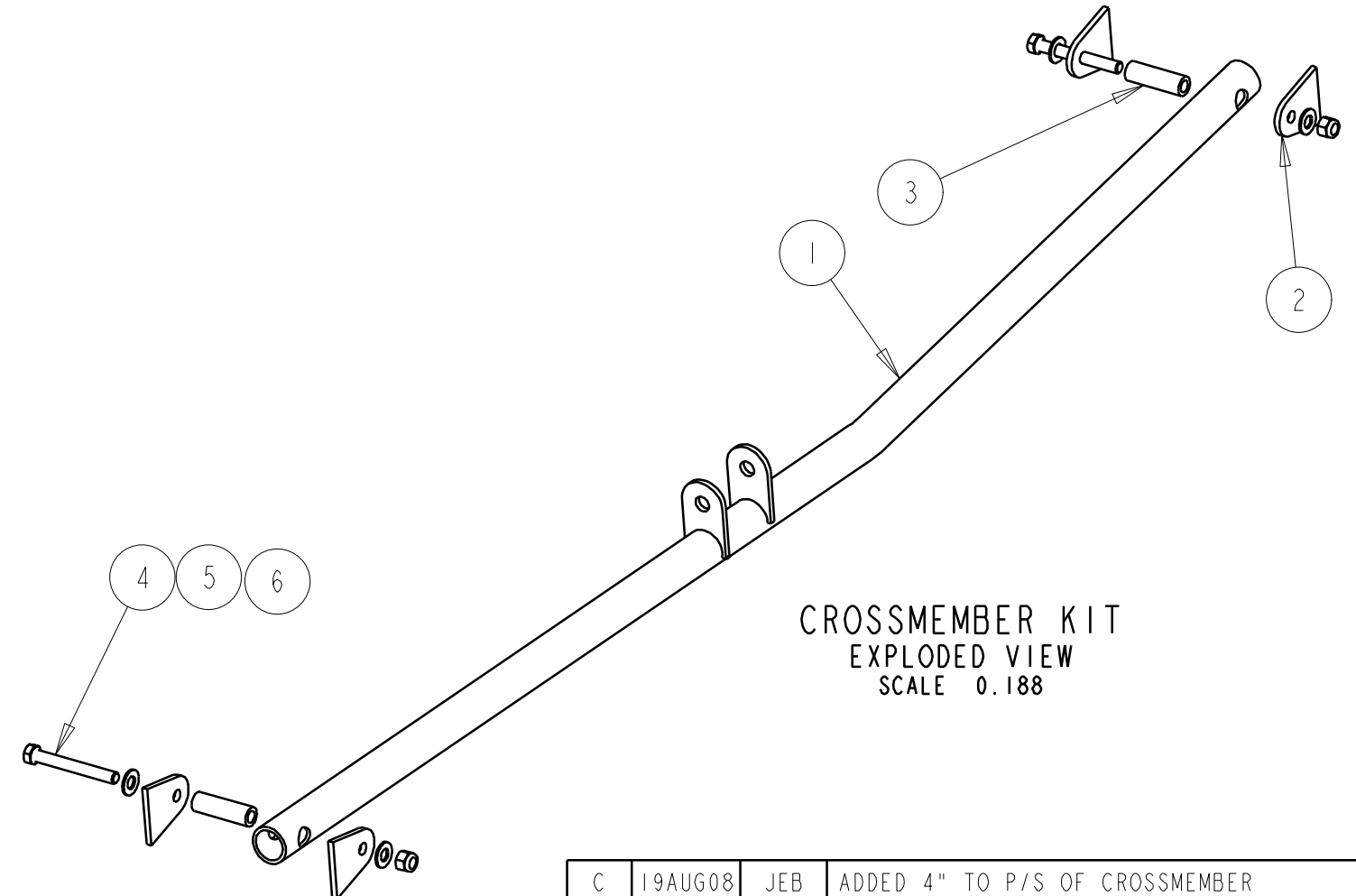


TOP VIEW



VIEW FROM BACK (LOOKING TOWARDS FRONT)  
SCALE 0.125

BILL OF MATERIALS			
ITEM	QTY	PART No.	DESCRIPTION
1	1	40-604	CROSSMEMBER WELDMENT
2	4	40-604-02	MOUNTING BRKT
3	2	625X120CMX2	BUSHING
4	2	65-031	3/8 X 3" BOLT
5	2	65-132	3/8 NYLOCK NUT
6	4	65-202	3/8 FLAT WASHER



REV	DATE	DRN	DESCRIPTION
C	19AUG08	JEB	ADDED 4" TO P/S OF CROSSMEMBER
B	25JAN06	JEB	ADDED DIM & NOTES
A	07FEB01	JEB	SHOWN W/WIDER CROSSMEMBER
0	03MAY00	JEB	INITIAL RELEASE

TOLERANCES: FRACTIONS ±1/32 2 PLC DEC ±0.01 3 PLC DEC ±0.005 ANGLES ±0.5°		ASSEMBLY DRAWING UNIVERSAL CROSSMEMBER KIT FOR 82-92 CAMARO TORQUE ARM KIT	
MAT'L:		PART No: 40-604	DRW No: 40-604 - 1

S & W RACE CARS  
11 MENNONITE CHURCH RD  
SPRING CITY, PA 19475