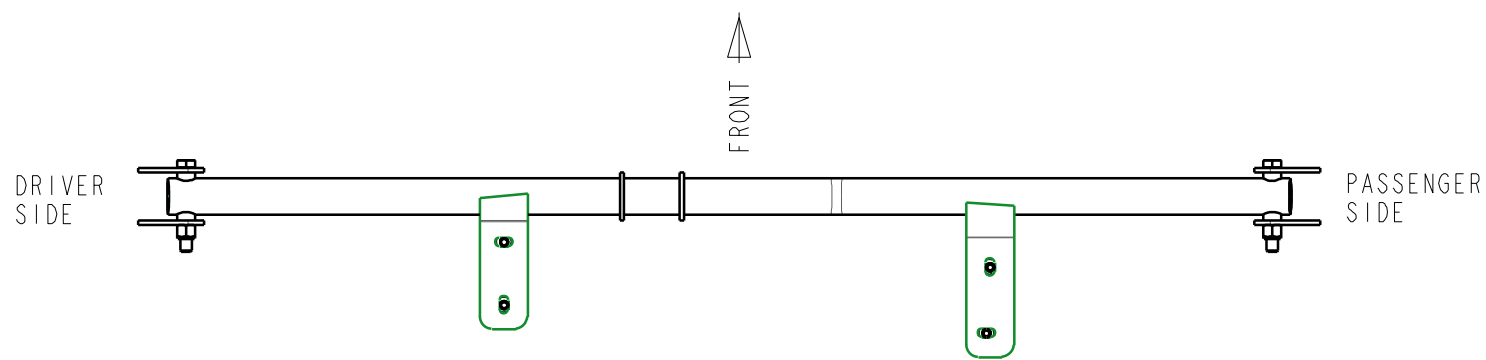


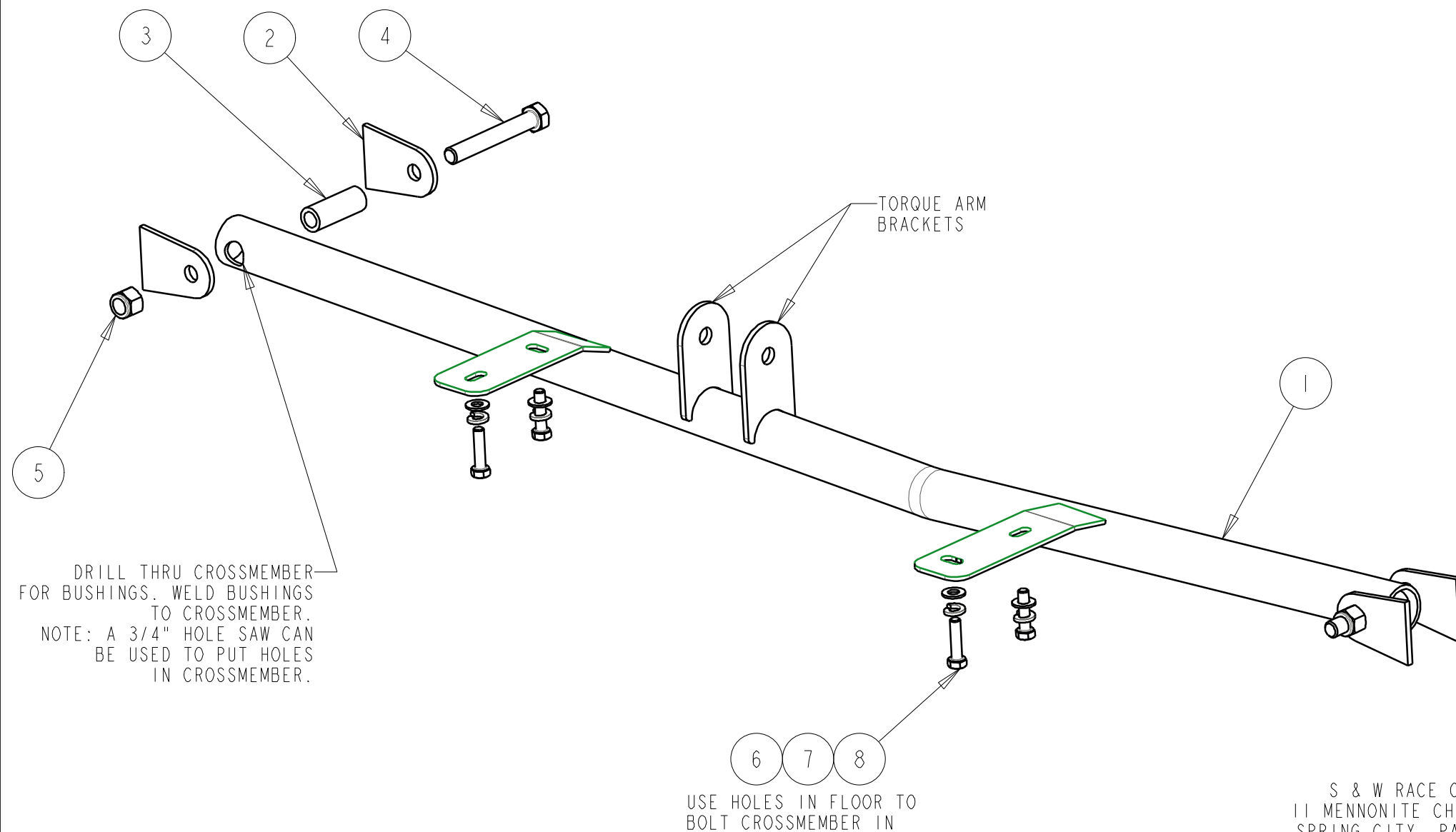
40-611-1



TOP VIEW OF CROSSMEMBER  
SCALE 0.125

BILL of MATERIALS

ITEM	QTY	Part No:	DESCRIPTION
1	1	40-611-01	CROSSMEMBER WELDMENT
2	4	60-353	MOUNTING TABS
3	2	750X120X2	BUSHING
4	2	65-051	1/2 X 3 1/2" BOLT
5	2	65-135	1/2 NYLOCK NUT
6	4	65-020	5/16 X 3/4 BOLT
7	4	65-201	5/16 FLAT WASHER
8	4	65-211	5/16 LOCK WASHER



S & W RACE CARS  
11 MENNONITE CHURCH RD  
SPRING CITY, PA 19475

A	30MAY06	JEB	REV DESIGN, DROPPED CROSSMEMBER
REV	DATE	DRN	DESCRIPTION
TOLERANCES: FRACTIONS ±1/32 2 PLC DEC ±0.01 3 PLC DEC ±0.005 ANGLES ±0.5°			93-03 CAMARO WELD-IN CROSSMEMBER GENERAL ARRANGEMENT
MAT'L: prt.material			
PART No: 40-611_A			DRW No: 40-611 - 1