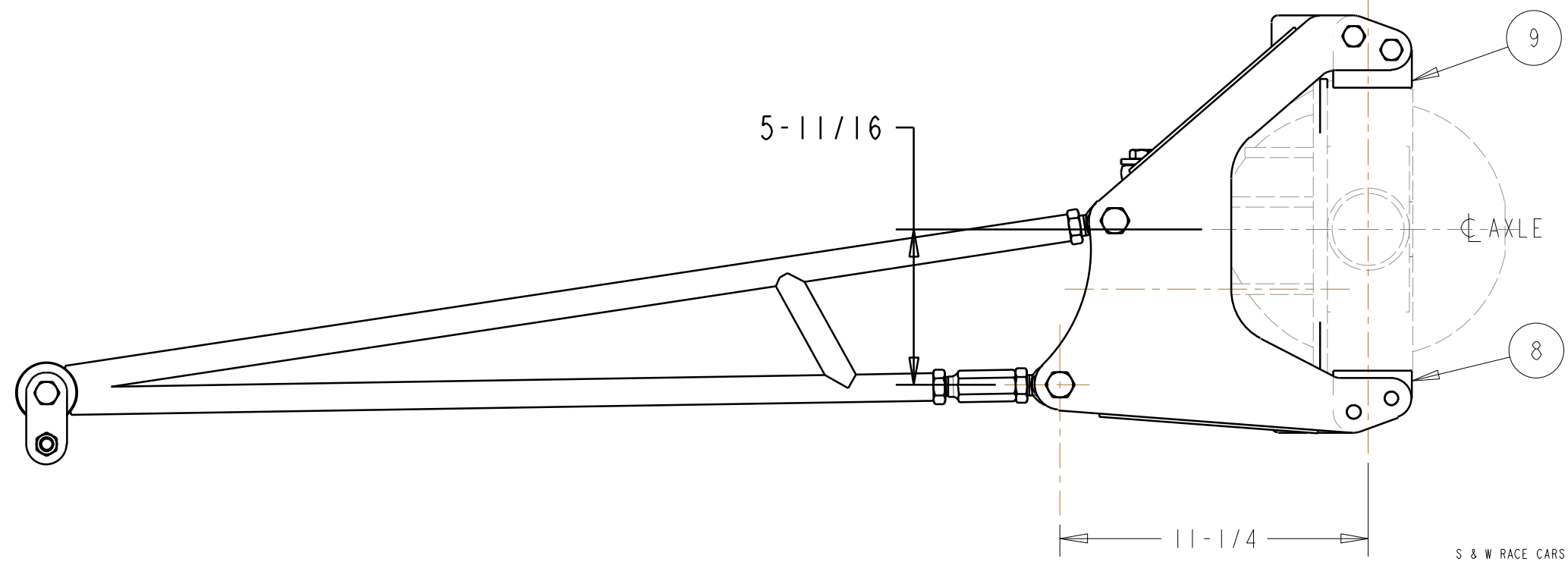
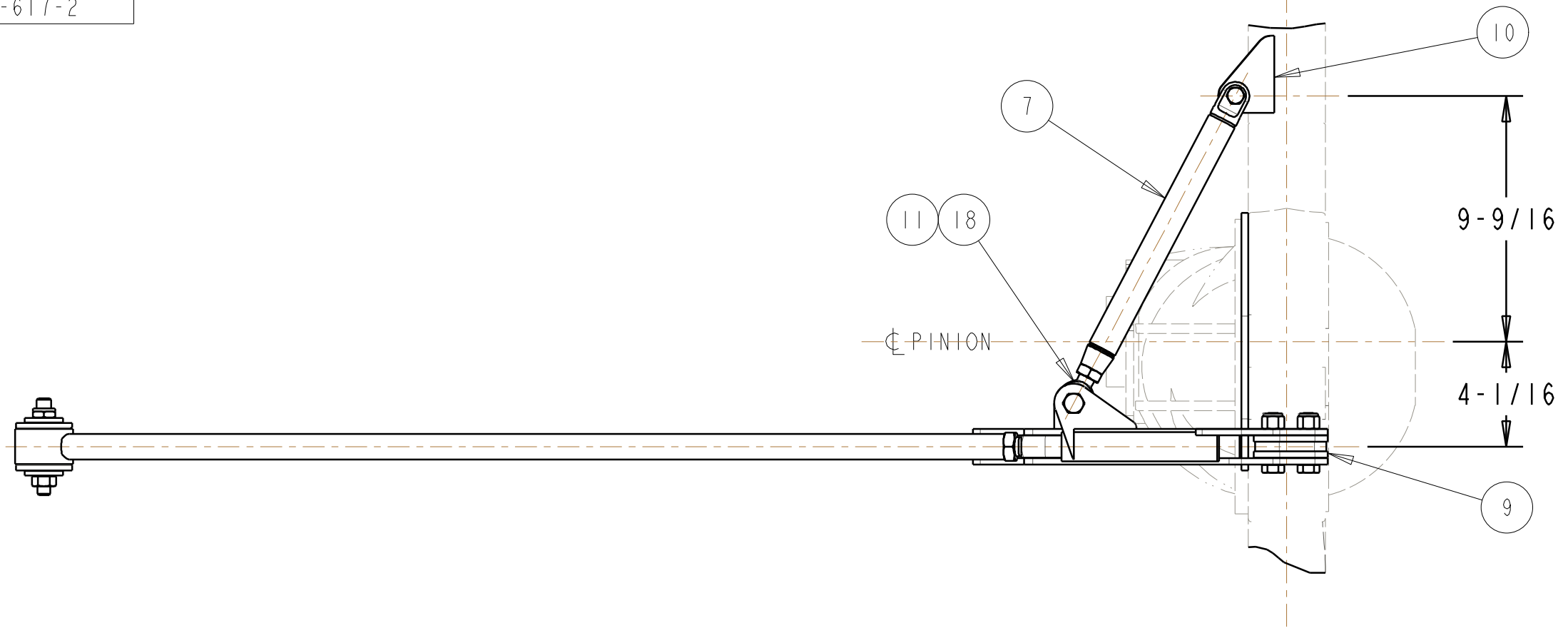


40-617-2



0	30SEP10	JEB	INITIAL RELEASE
REV	DATE	DRN	DESCRIPTION
TOLERANCES: FRACTIONS ±1/32 2 PLC DEC ±0.01 3 PLC DEC ±0.005 ANGLES ±0.5°			FORD 9" TORQ ARM REAR LAYOUT
MAT'L:			
PART No: 40-617			DRW No: 40-617 - 2

S & W RACE CARS  
11 MENNONITE CHURCH RD  
SPRING CITY, PA 19475