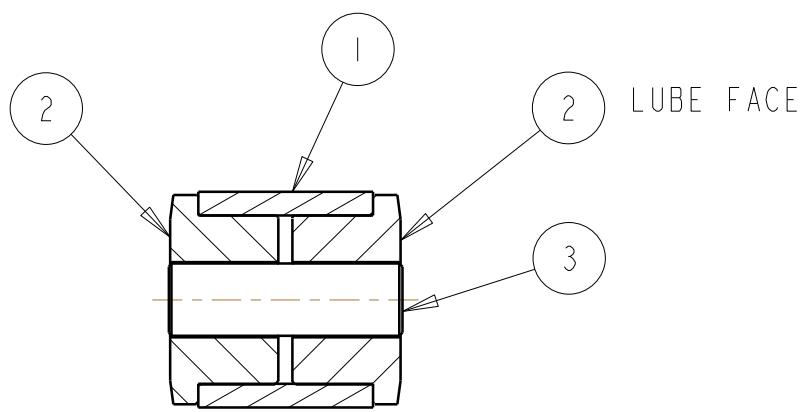


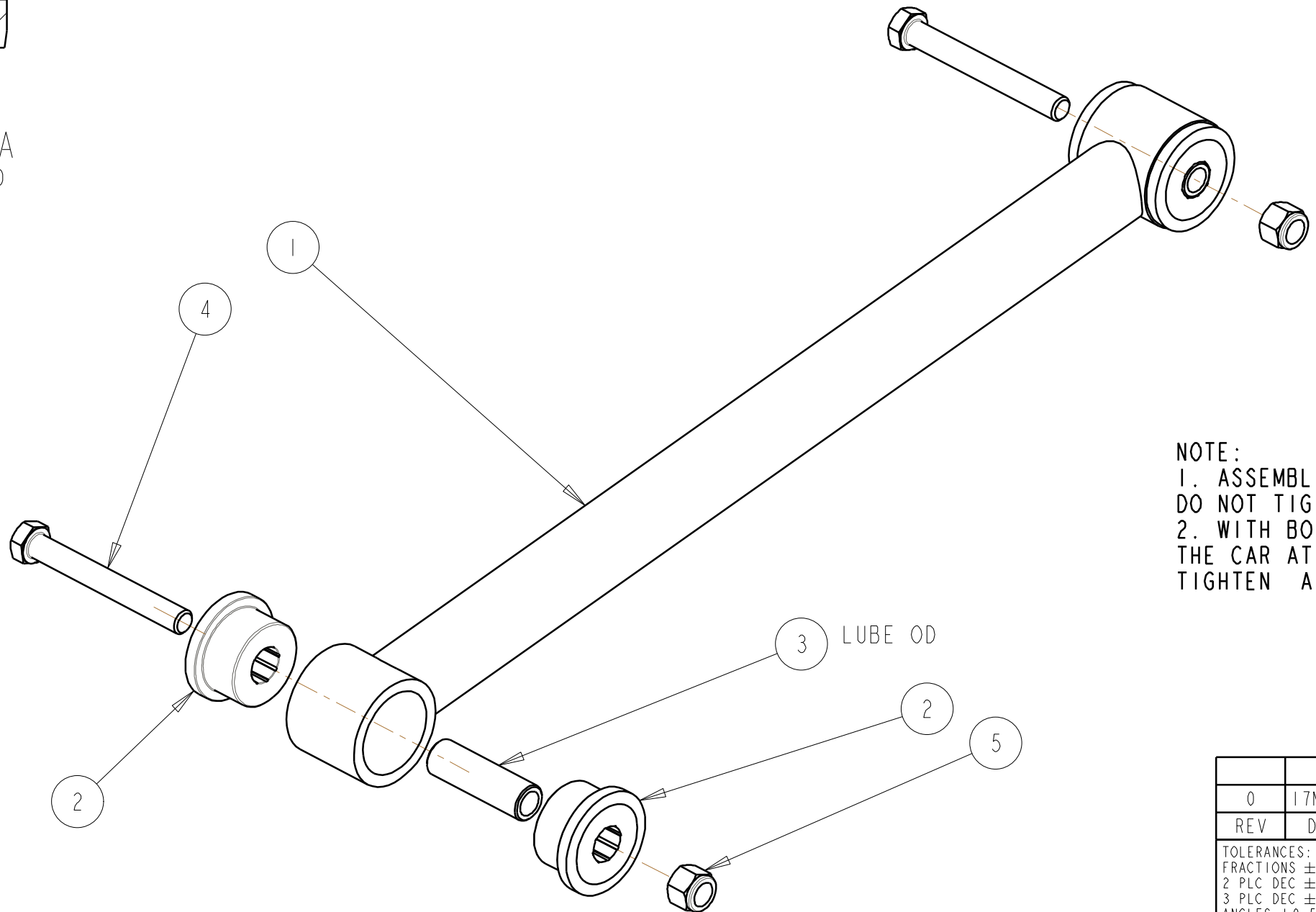
40-620-1

BILL OF MATERIALS

ITEM	QTY	PART No.	DESCRIPTION
1	1	40-620-01	CONTROL ARM WELDMENT
2	4	40-602-02	POLY BUSHING
3	2	40-602-03	STEEL INNER SLEEVE
4	2	65-052	1/2 X 4" LG BOLT
5	2	65-135	1/2 NYLOCK NUT



SECTION A-A
SCALE 0.500



NOTE:
1. ASSEMBLE & INSTALL ONE CONTROL ARM AT A TIME. DO NOT TIGHTEN THE NUTS AND BOLT AT THIS TIME.
2. WITH BOTH THE NEW CONTROL ARMS INSTALLED, THE CAR AT RIDE HEIGHT & THE WEIGHT ON THE TIRES TIGHTEN ALL NUTS AND BOLTS.

0	17MAY10	JEB	INITIAL RELEASE
REV	DATE	DRN	DESCRIPTION
TOLERANCES: FRACTIONS ±1/32 2 PLC DEC ±0.01 3 PLC DEC ±0.005 ANGLES ±0.5°			GM A-BODY LOWER CONTROL ARM GENERAL ARRANGEMENT
MAT'L:			
PART No: 40-620			DRW No: 40-620 - 1

S & W RACE CARS
11 MENNONITE CHURCH RD
SPRING CITY, PA 19475