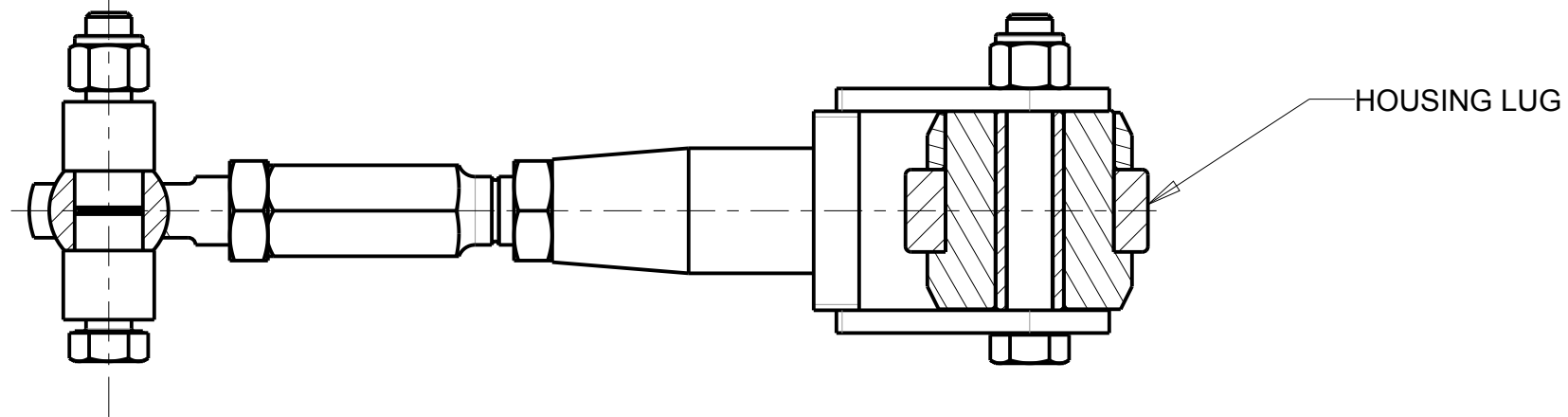
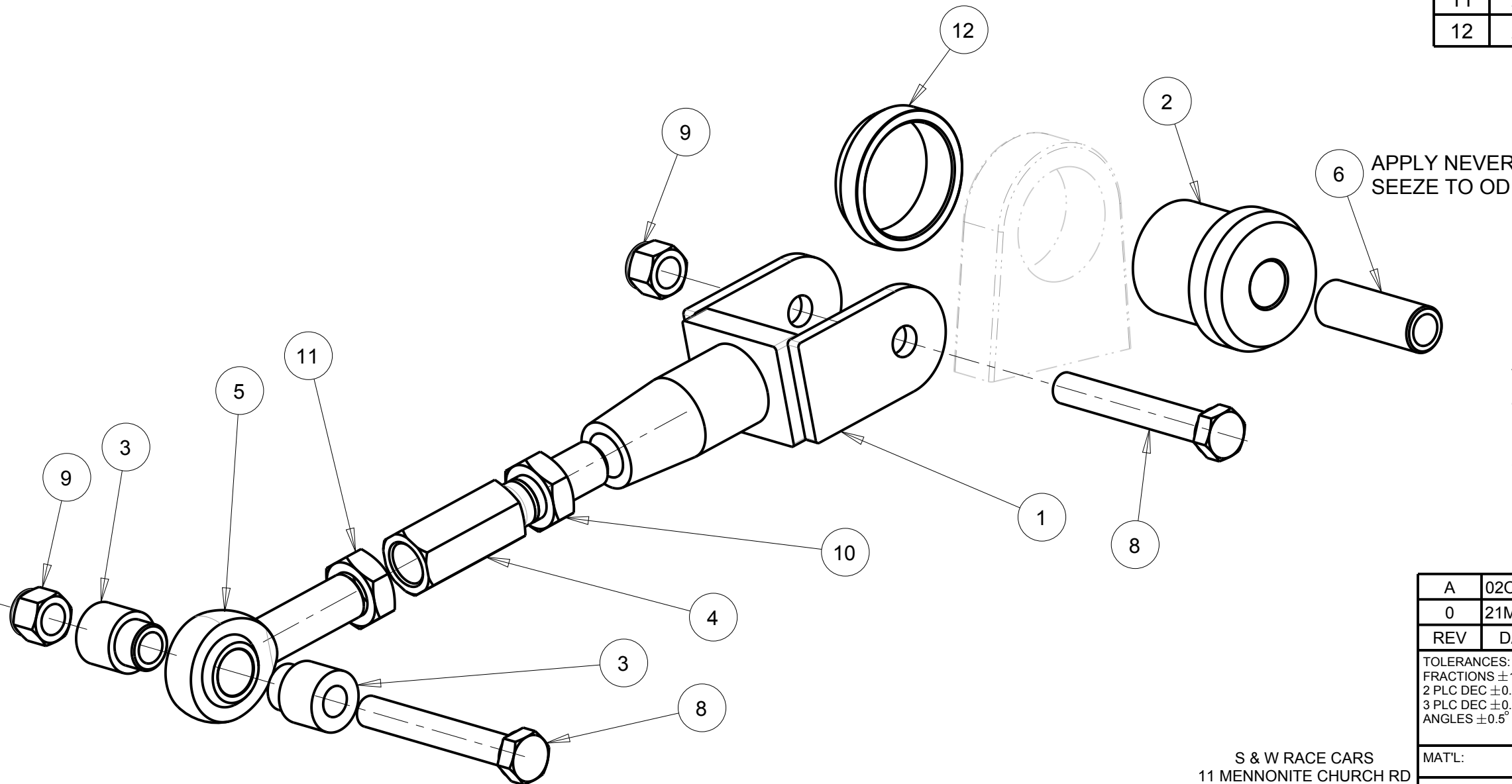


40-627-1



SECTION A-A  
SCALE 0.500



**BILL OF MATERIALS**

ITEM	QTY	PART No.	DESCRIPTION
1	2	40-627-01	HOUSING LINK
2	2	40-627-02	ALUM INSERT
3	8	40-723-03	SPACER-BUSHING
4	2	65-1001	HEX ADJUSTER
5	2	64-212	3/4 X 3/4 RHM ROD END
6	2	40-627-04	STEEL INNER SLEEVE
7			
8	2	65-051	1/2 X 3 1/2" LG BOLT
9	4	65-135	1/2 NYLOCK NUT
10	2	65-121	3/4 LH JAM NUT
11	2	65-120	3/4 RH JAM NUT
12	2	40-627-03	ALUM SPACER

**NOTE:**

1. ASSEMBLE & INSTALL ONE CONTROL ARM AT A TIME. DO NOT TIGHTEN THE NUTS AND BOLT AT THIS TIME. SET INITIAL LENGTH THE SAME AS STOCK CONTROL ARMS (10-1/8").

2. WHEN SETTING PINION ANGLE DISCONNECT ONE CONTROL ARM, SET ANGLE, THEN ADJUST OTHER ARM SO THAT THE BOLTS HAVE NO LOAD ON THEM.

REV	DATE	DRN	DESCRIPTION
A	02OCT15	JEB	REVISED ALUM BUSHING FOR HSG LUG
0	21MAY10	JEB	INITIAL RELEASE

<p>TOLERANCES: FRACTIONS ±1/32 2 PLC DEC ±0.01 3 PLC DEC ±0.005 ANGLES ±0.5°</p>	<p>COMPITION UPPER CONTROL ARM 68-72 GM A-BODY GENERAL ARRANGEMENT</p>
<p>MAT'L:</p>	
<p>PART No: 40-627</p>	
<p>DRW No: 40-627 - 1</p>	

S & W RACE CARS  
11 MENNONITE CHURCH RD  
SPRING CITY, PA 19475