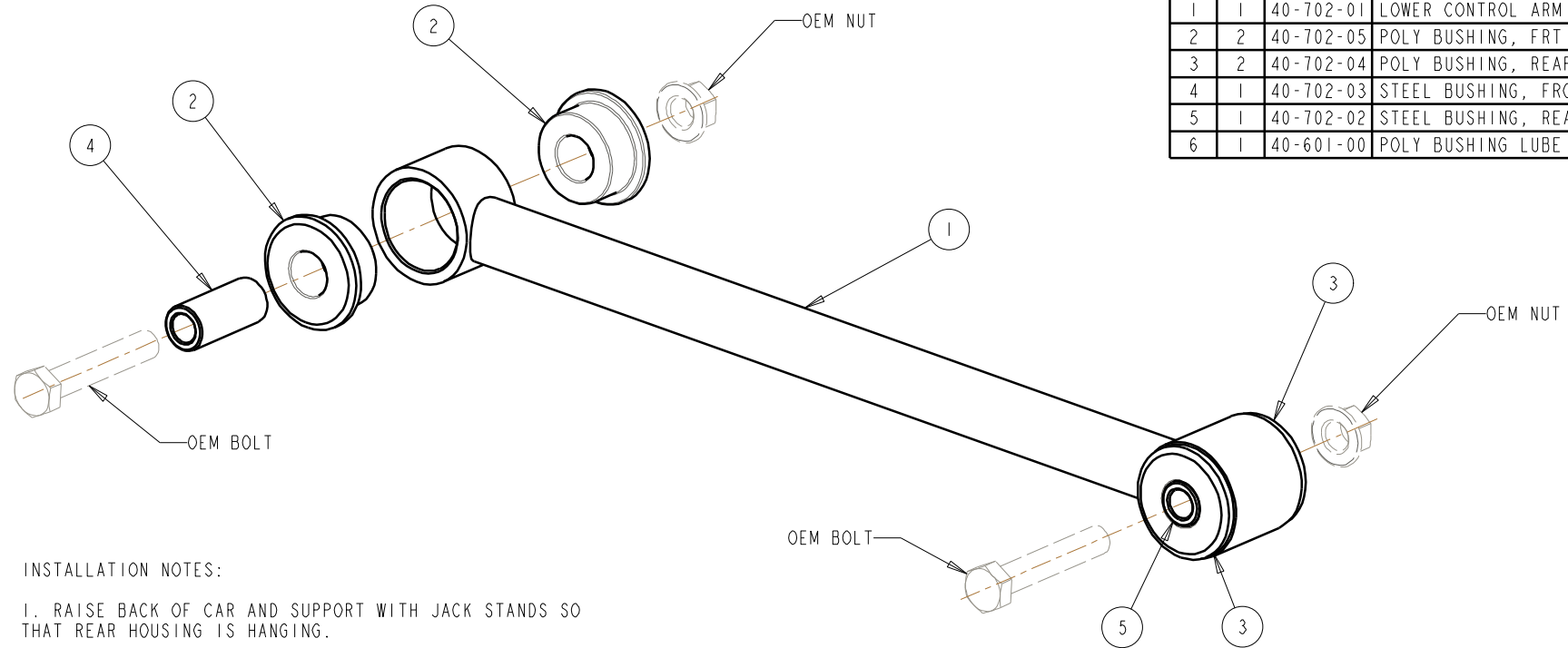


40-702-2



BILL OF MATERIALS

ITEM	QTY	PART No.	DESCRIPTION
1	1	40-702-01	LOWER CONTROL ARM
2	2	40-702-05	POLY BUSHING, FRT
3	2	40-702-04	POLY BUSHING, REAR
4	1	40-702-03	STEEL BUSHING, FRONT
5	1	40-702-02	STEEL BUSHING, REAR
6	1	40-601-00	POLY BUSHING LUBE

INSTALLATION NOTES:

1. RAISE BACK OF CAR AND SUPPORT WITH JACK STANDS SO THAT REAR HOUSING IS HANGING.
2. ASSEMBLE CONTROL AND POLY BUSHING.  
NOTE: DO NOT HIT FACE OF BUSHING DIRECTLY. USE A WOOD BLOCK OR OTHER SOFT MATERIAL BETWEEN BUSHING AND HAMMER IF FORCE IS REQUIRED FOR INSTALLATION.
3. INSERT STEEL SLEEVE INTO POLY BUSHING.  
APPLY A LIGHT COAT OF LUBE TO FACE OF EACH BUSHING.
4. REMOVE AND INSTALL NEW CONTROL ARMS ONE AT A TIME. REMOVE BOLTS FROM STOCK CONTROL ARMS AND REUSE WITH NEW CONTROL ARMS. (NARROW END OF CONTROL ARM IS THE FRONT, CHASSIS END).  
NOTE: REAR HOUSING MAY MOVE WHEN BOLTS ARE REMOVED.

S & W RACE CARS  
11 MENNONITE CHURCH RD  
SPRING CITY, PA 19475

REV	DATE	DRN	DESCRIPTION
0	12DEC06	JEB	INITIAL RELEASE
TOLERANCES: FRACTIONS ±1/32 2" PLC DEC ±0.01 3" PLC DEC ±0.005 ANGLES ±0.3°			LOWER CONTROL ARM '05 MUSTANG GENERAL ARRANGEMENT
MATERIAL:			
PART No: 40-702			DRW No: 40-702 - 2