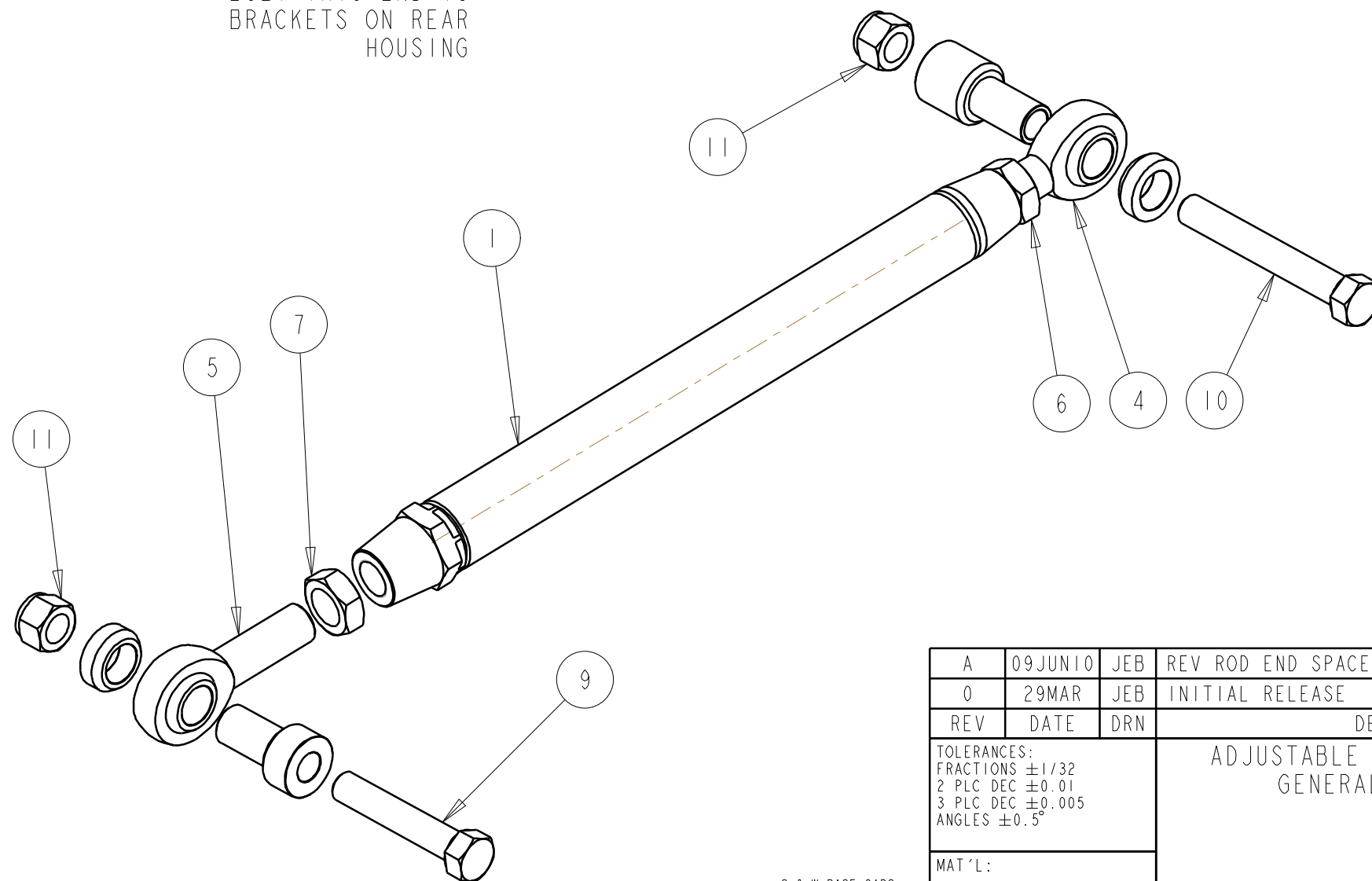
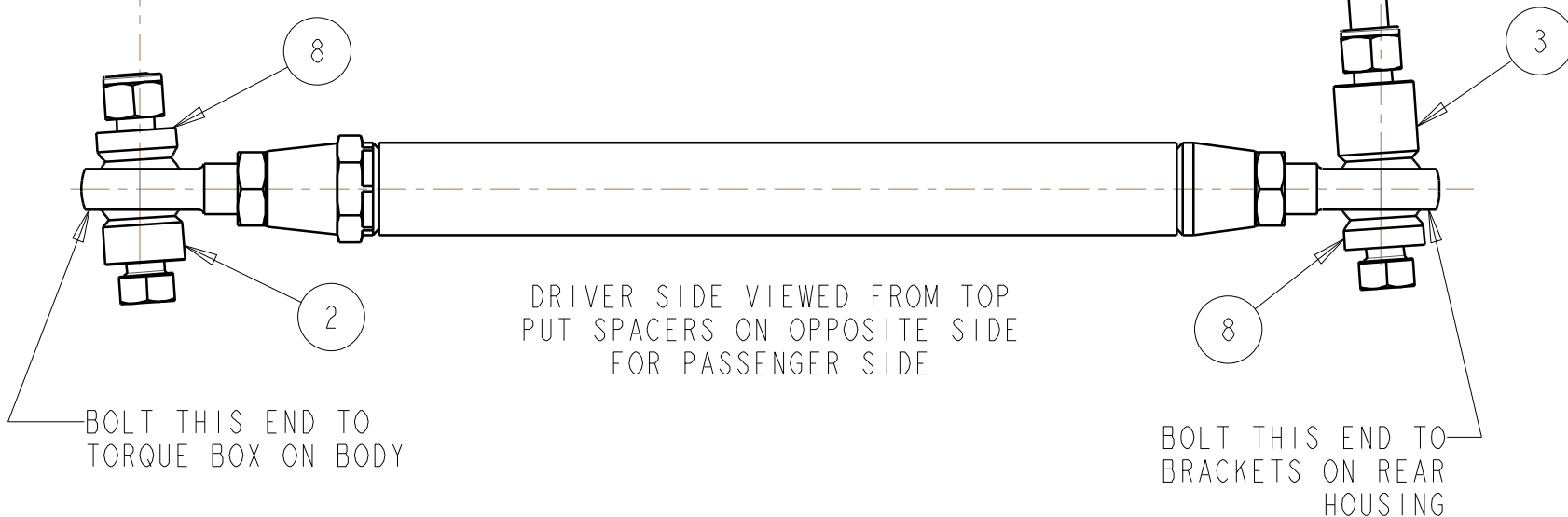


40-709-1

18-1/2  
18-7/16 REFERENCE FOR INITIAL LENGTH



BILL OF MATERIALS

ITEM	QTY	PART No.	DESCRIPTION
1	2	40-709-01	LOWER CONTROL ARM WELDMENT
2	2	40-709-02	ROD END REDUCER - SPACER (SHORT)
3	2	40-709-03	ROD END REDUCER - SPACER (LONG)
4	2	65-212	3/4" ROD END
5	2	65-412	3/4" LH ROD END
6	2	65-120	3/4" JAM NUT
7	2	65-121	3/4" LH JAM NUT
8	4	40-709-04	3/4" ROD END SPACER
9	2	65-067	9/16 X 3" HH BOLT
10	2	65-096	9/16 X 4" HH BOLT
11	4	65-604	9/16 NYLOCK NUT

REV	DATE	DRN	DESCRIPTION
A	09JUN10	JEB	REV ROD END SPACERS
0	29MAR	JEB	INITIAL RELEASE

TOLERANCES:  
FRACTIONS ±1/32  
2 PLC DEC ±0.01  
3 PLC DEC ±0.005  
ANGLES ±0.5°

MAT'L:

ADJUSTABLE LOWER CONTROL ARM  
GENERAL ARRANGEMENT

PART No: 40-709

DRW No: 40-709 - 1

S & W RACE CARS  
11 MENNONITE CHURCH RD  
SPRING CITY, PA 19475