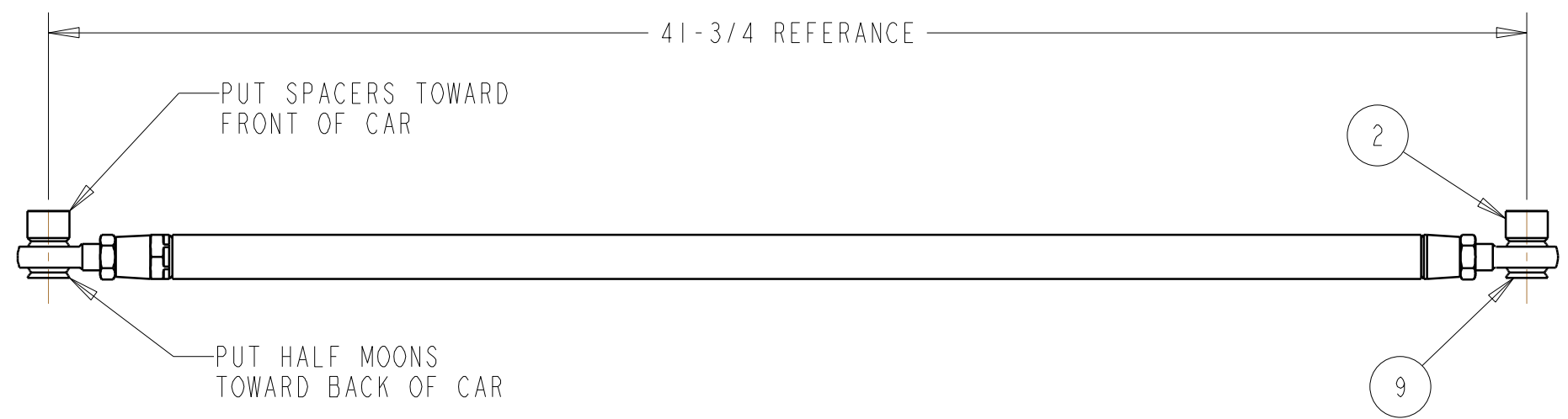
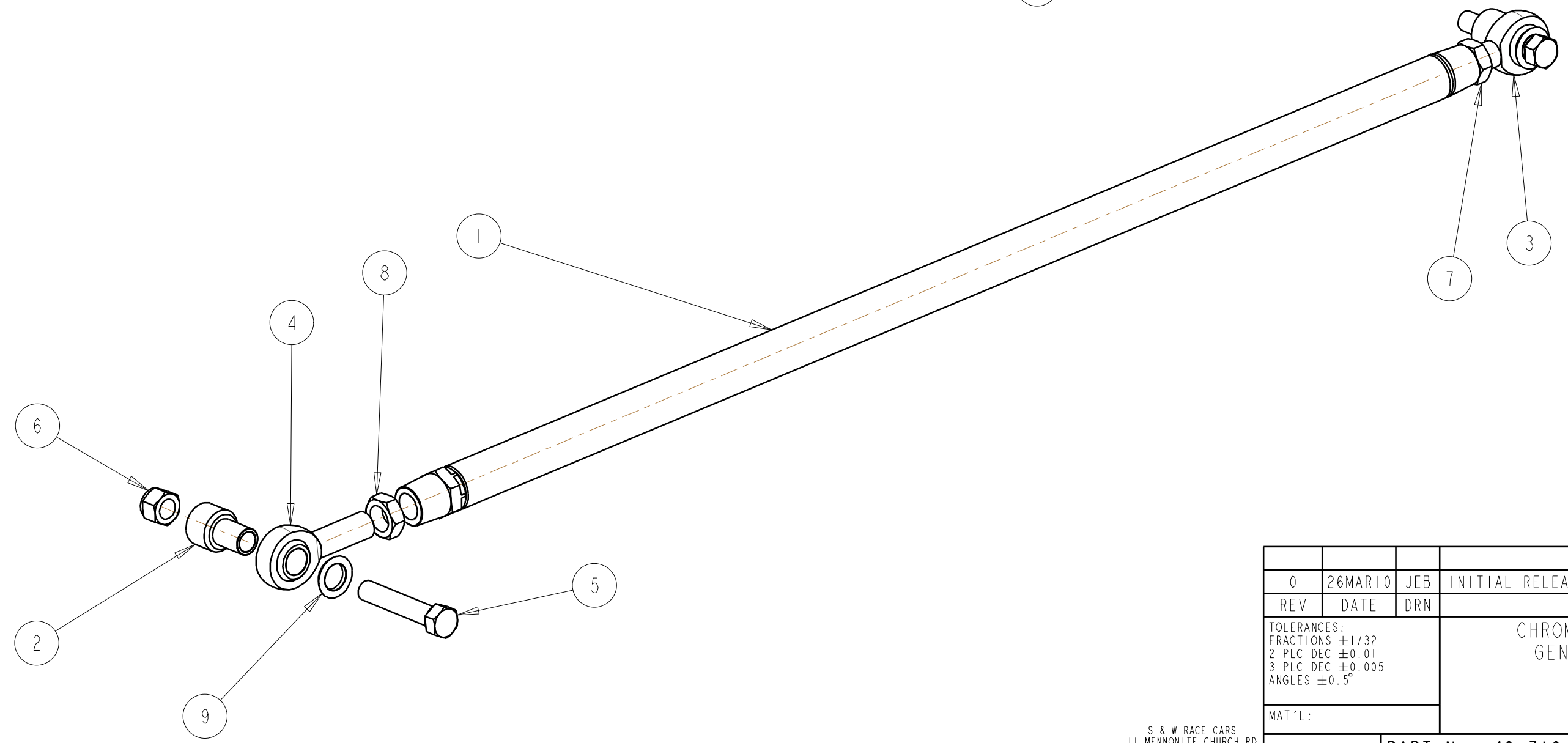


40-710-1



BILL OF MATERIALS			
ITEM	QTY	PART No.	DESCRIPTION
1	1	40-710-01	PANHARD BAR TUBE WELDMENT
2	2	40-710-02	ROD END REDUCER - SPACER
3	1	64-212	3/4 CRM RHM ROD END
4	1	64-412	3/4 CRM LHM ROD END
5	2	65-067	9/16 X 3" HH BOLT
6	2	65-604	9/16 NYLOCK NUT
7	1	65-120	3/4 JAM NUT
8	1	65-121	3/4 LH JAM NUT
9	2	63-077	3/4" HALF MOON



0	26MAR10	JEB	INITIAL RELEASE
REV	DATE	DRN	DESCRIPTION
TOLERANCES: FRACTIONS ±1/32 2 PLC DEC ±0.01 3 PLC DEC ±0.005 ANGLES ±0.5°			CHROMOLY PANHARD BAR GENERAL ARRANGEMENT
MAT'L:			
PART No: 40-710			DRW No: 40-710 - 1

S & W RACE CARS
11 MENNONITE CHURCH RD
SPRING CITY, PA 19475