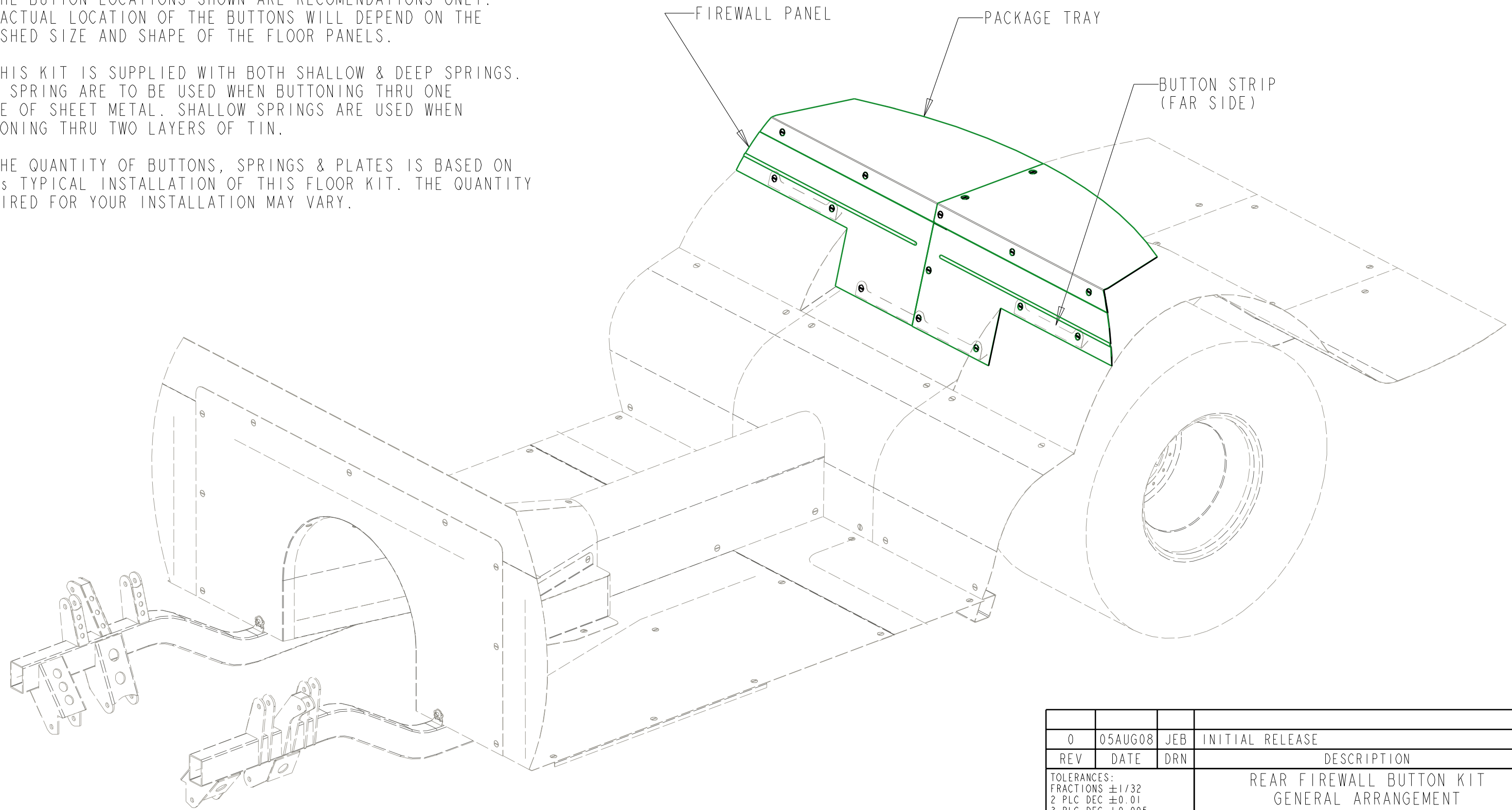


NOTE:

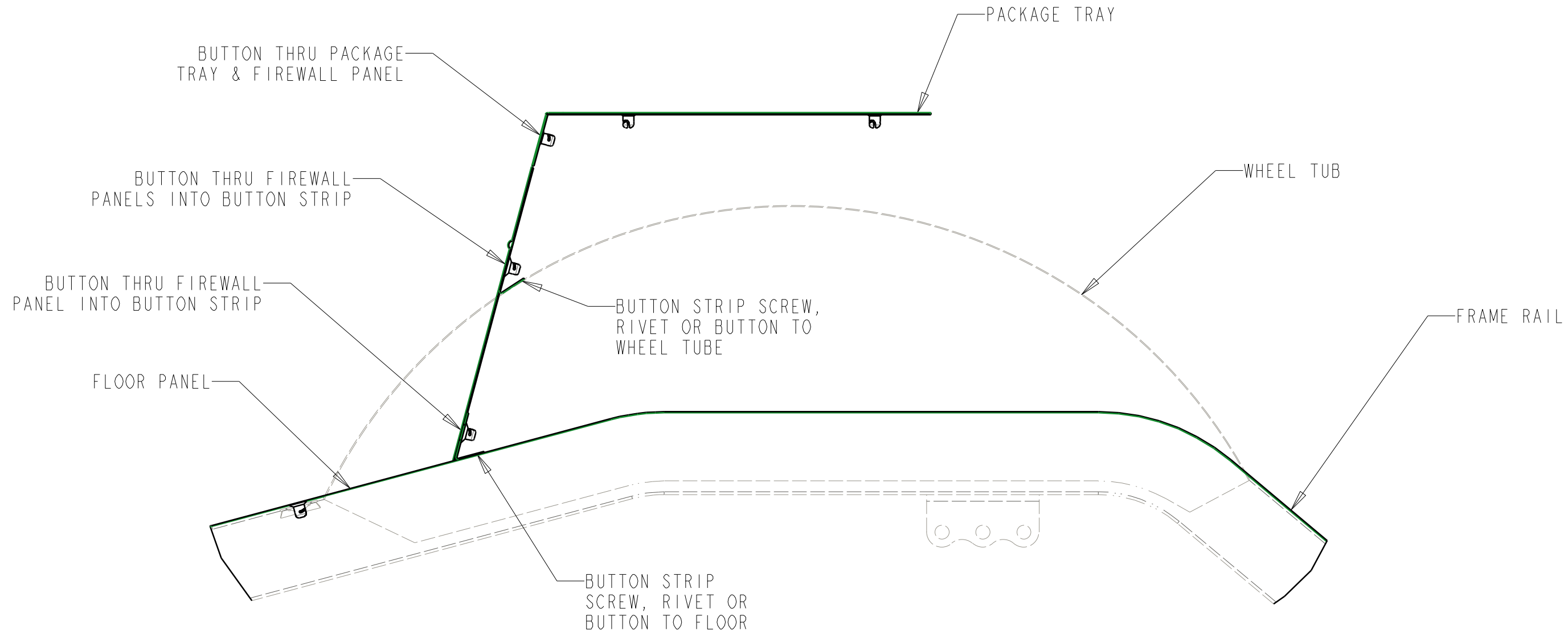
1. THE BUTTON LOCATIONS SHOWN ARE RECOMENDATIONS ONLY. THE ACTUAL LOCATION OF THE BUTTONS WILL DEPEND ON THE FINISHED SIZE AND SHAPE OF THE FLOOR PANELS.
2. THIS KIT IS SUPPLIED WITH BOTH SHALLOW & DEEP SPRINGS. DEEP SPRING ARE TO BE USED WHEN BUTTONING THRU ONE PEICE OF SHEET METAL. SHALLOW SPRINGS ARE USED WHEN BUTTONING THRU TWO LAYERS OF TIN.
3. THE QUANTITY OF BUTTONS, SPRINGS & PLATES IS BASED ON S&W's TYPICAL INSTALLATION OF THIS FLOOR KIT. THE QUANTITY REQUIRED FOR YOUR INSTALLATION MAY VARY.



0	05AUG08	JEB	INITIAL RELEASE
REV	DATE	DRN	DESCRIPTION
TOLERANCES: FRACTIONS $\pm 1/32$ 2 PLC DEC ± 0.01 3 PLC DEC ± 0.005 ANGLES $\pm 0.5^\circ$			REAR FIREWALL BUTTON KIT GENERAL ARRANGEMENT
MAT'L:			
PART No: 65-944			DRW No: 65-944 - 1

S & W RACE CARS
11 MENNONITE CHURCH RD
SPRING CITY, PA 19475

65-944-2



NOTE: IT MAY BE NECESSARY TO TAKE BEND OUT, OR PUT ADDITIONAL BEND IN, THE ALUM BUTTON PLATES SO THAT THEY FIT YOUR APPLICATION

S & W RACE CARS
 11 MENNONITE CHURCH RD
 SPRING CITY, PA 19475

0	05AUG08	JEB	INITIAL RELEASE
REV	DATE	DRN	DESCRIPTION
TOLERANCES: FRACTIONS $\pm 1/32$ 2 PLC DEC ± 0.01 3 PLC DEC ± 0.005 ANGLES $\pm 0.5^\circ$			REAR FIREWALL BUTTON KIT DETAIL VIEWS
MAT'L:			
PART No: 65-944			DRW No: 65-944 - 2