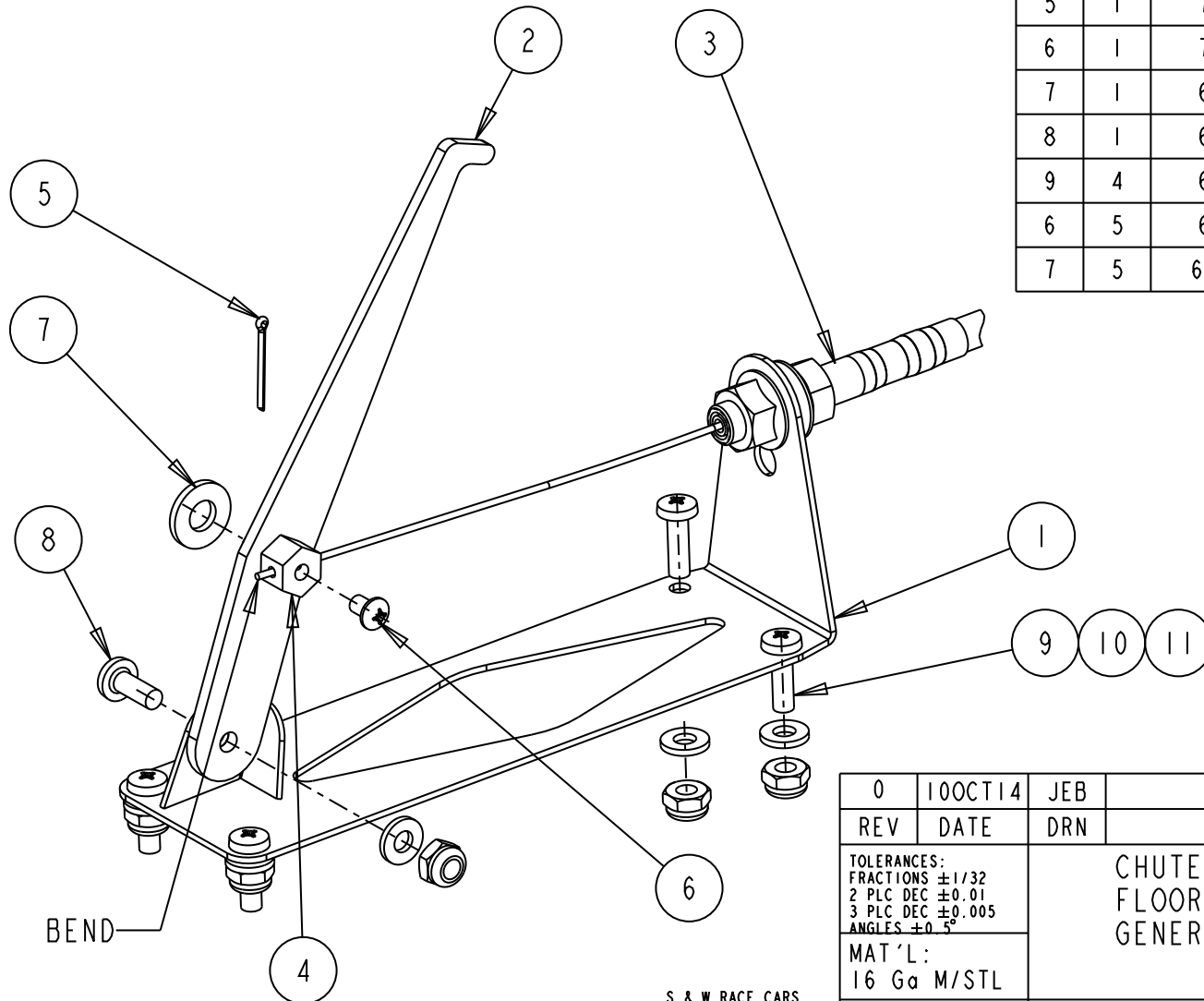


BEND CABLE AFTER INSERTING IN PIVOT PIN.
 HANDLE POSITION SHOWN FOR CHUTE WHEN PACKED.
 CABLE SHOULD BE PULLED TO DEPLOY CHUTE.



BILL OF MATERIALS

ITEM	QTY	PART No	DESCRIPTION
1	1	75-150-01	CHUTE RELEASE & CABLE MOUNT
2	1	95-5521	CHUTE HANDLE
3	1	70-468	CHUTE CABLE
4	1	70-515	CABLE PIVOT PIN
5	1	70-515	COTTER PIN
6	1	70-515	#8 BH SCREW
7	1	65-200	1/4 FLAT WASHER
8	1	65-511	10-32 X 1/2"
9	4	65-512	10-32 X 5/8 SCREW
6	5	65-509	3/16 FLAT WASHER
7	5	65-507	10-32 NYLOCK NUT

0	10OCT14	JEB	
REV	DATE	DRN	DESCRIPTION
TOLERANCES: FRACTIONS ±1/32 2 PLC DEC ±0.01 3 PLC DEC ±0.005 ANGLES ±0.5°			CHUTE HANDLE & CABLE MOUNT FLOOR - TUNNEL MOUNT GENERAL ARRANGEMENT
MAT'L: 16 Ga M/STL			
PART No: 75-150			DRW No: 75-150 - 1