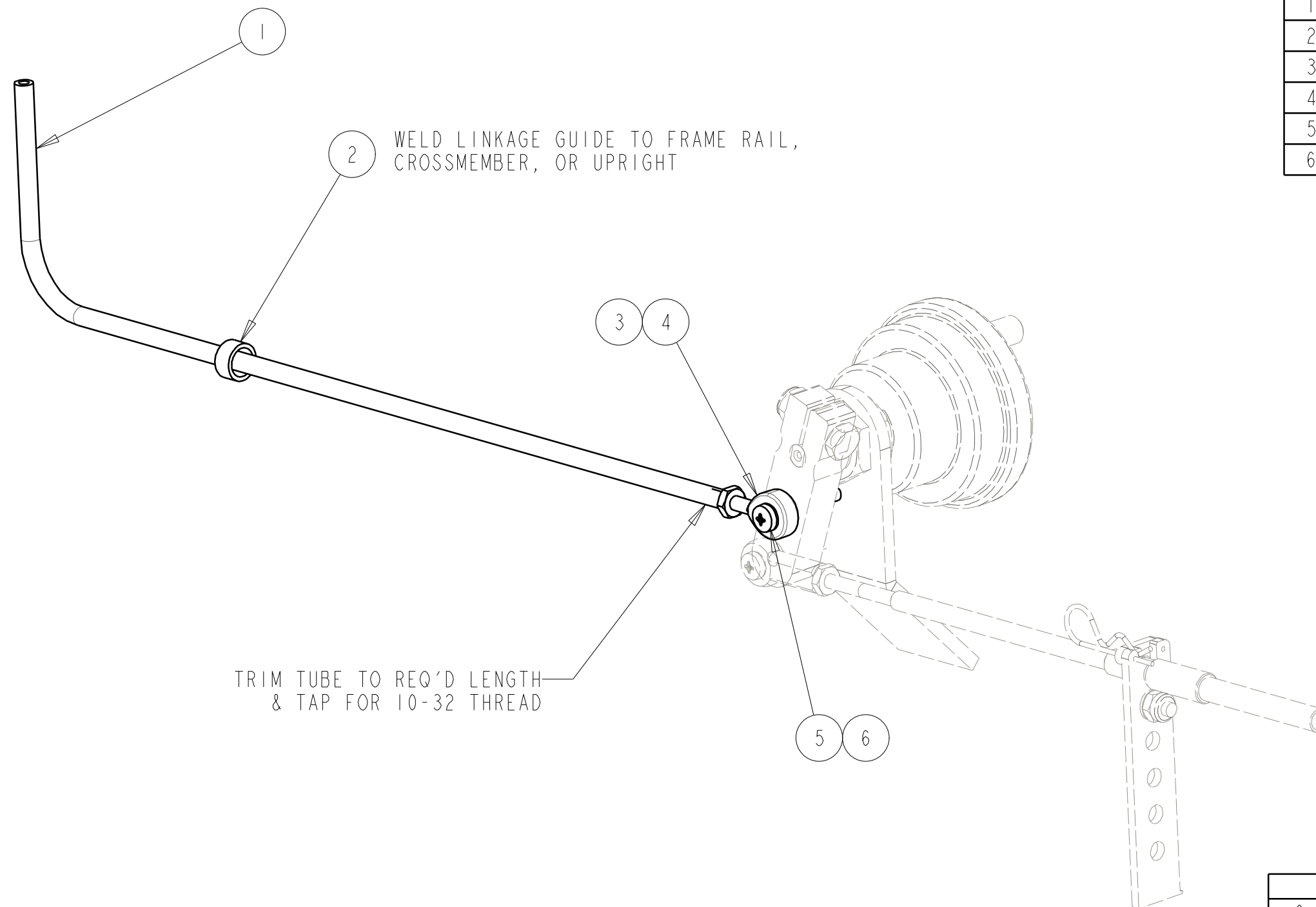


85-248-1



BILL OF MATERIALS

ITEM	QTY	PART No.	DESCRIPTION
1	2	85-248-01	HANDLE/LINKAGE TUBE
2	1	500X058X025	LINKAGE GUIDE
3	2	64-103	3/16 ROD END
4	3	65-508	10-32 HH NUT
5	1	65-515	10-32 X 1 1/4"
6	1	65-507	10-32 NYLOCK NUT

TRIM TUBE TO REQ'D LENGTH
& TAP FOR 10-32 THREAD

WELD LINKAGE GUIDE TO FRAME RAIL,
CROSSMEMBER, OR UPRIGHT

S & W RACE CARS
11 MENNONITE CHURCH RD
SPRING CITY, PA 19475

REV	DATE	DRN	DESCRIPTION
0	22APR08	JEB	INITIAL RELEASE
TOLERANCES: FRACTIONS ±1/32 2 PLC DEC ±0.01 3 PLC DEC ±0.005 ANGLES ±0.5°			DRAGSTER COCKPIT DISCONNECT HANDLE GENERAL ARRANGEMENT
MAT'L:			
PART No: 85-248			DRW No: 85-248 - 1