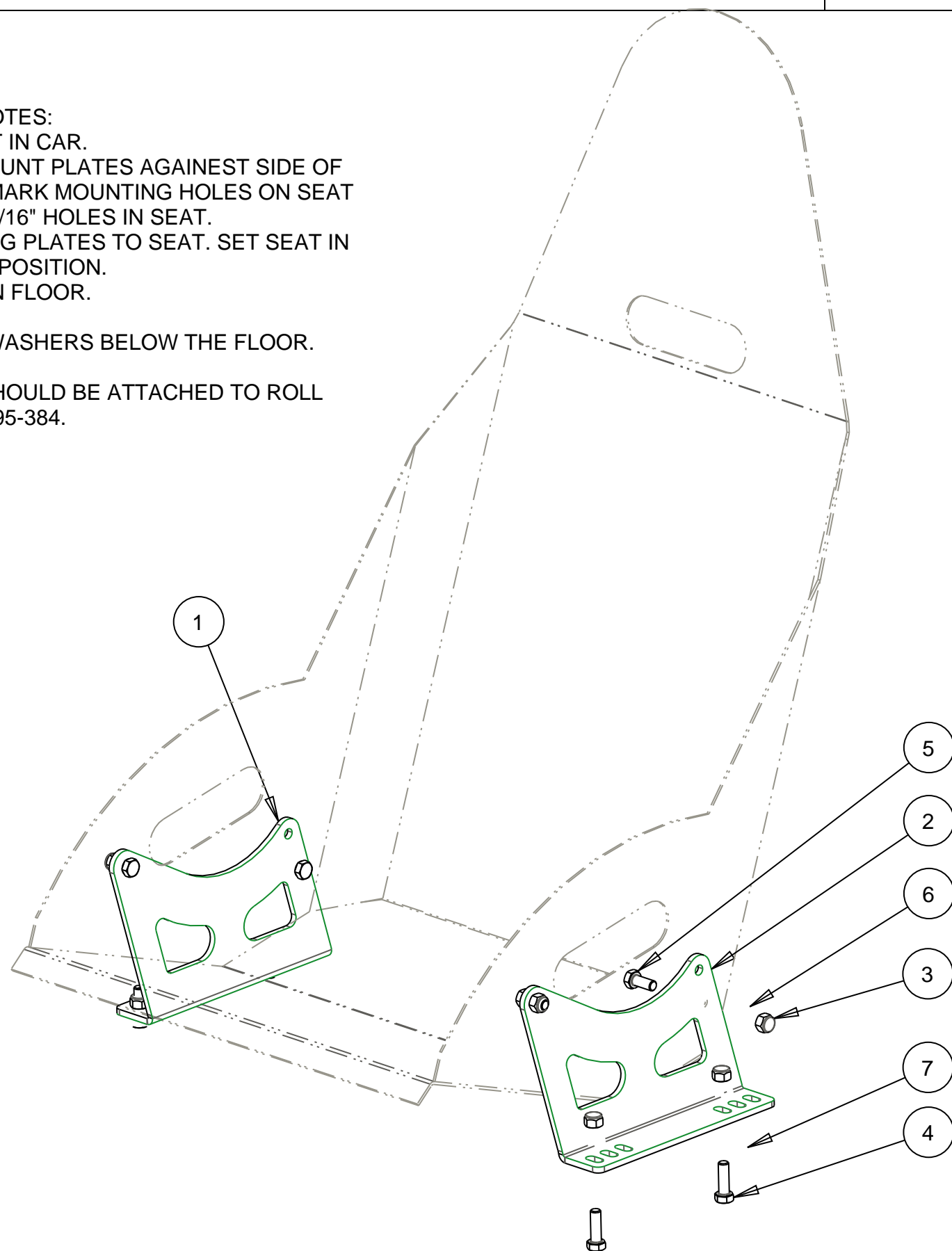


**INSTALLATION NOTES:**

1. POSITION SEAT IN CAR.
2. HOLD SEAT MOUNT PLATES AGAINST SIDE OF SEAT & FLOOR. MARK MOUNTING HOLES ON SEAT & FLOOR. DRILL 5/16" HOLES IN SEAT.
5. BOLT MOUNTING PLATES TO SEAT. SET SEAT IN CAR AND CHECK POSITION.
6. DRILL HOLES IN FLOOR.

PLACE FENDER WASHERS BELOW THE FLOOR.

BACK OF SEAT SHOULD BE ATTACHED TO ROLL CAGE WITH KIT #95-384.

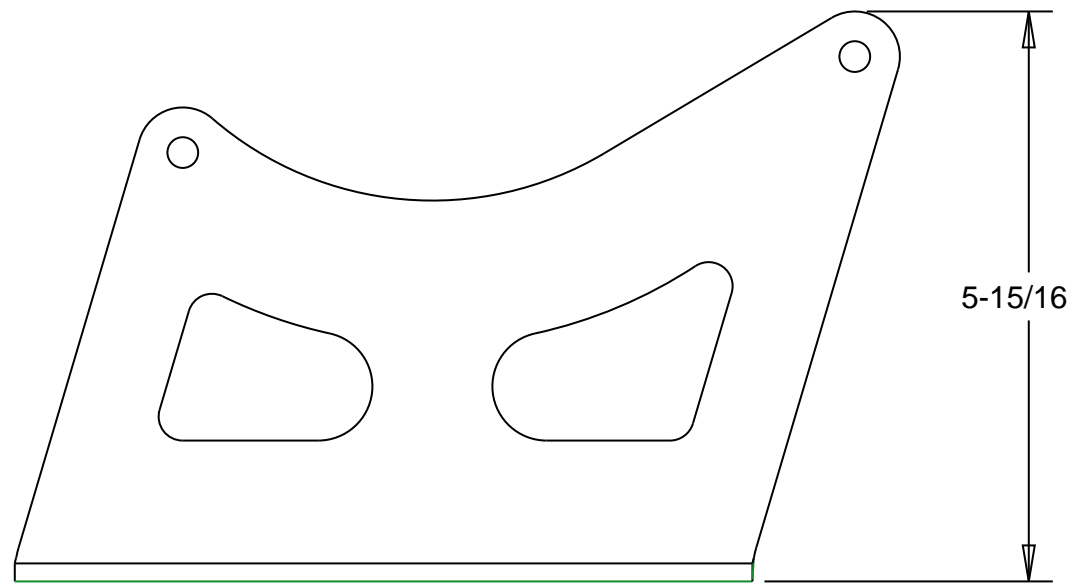


**BILL OF MATERIALS**

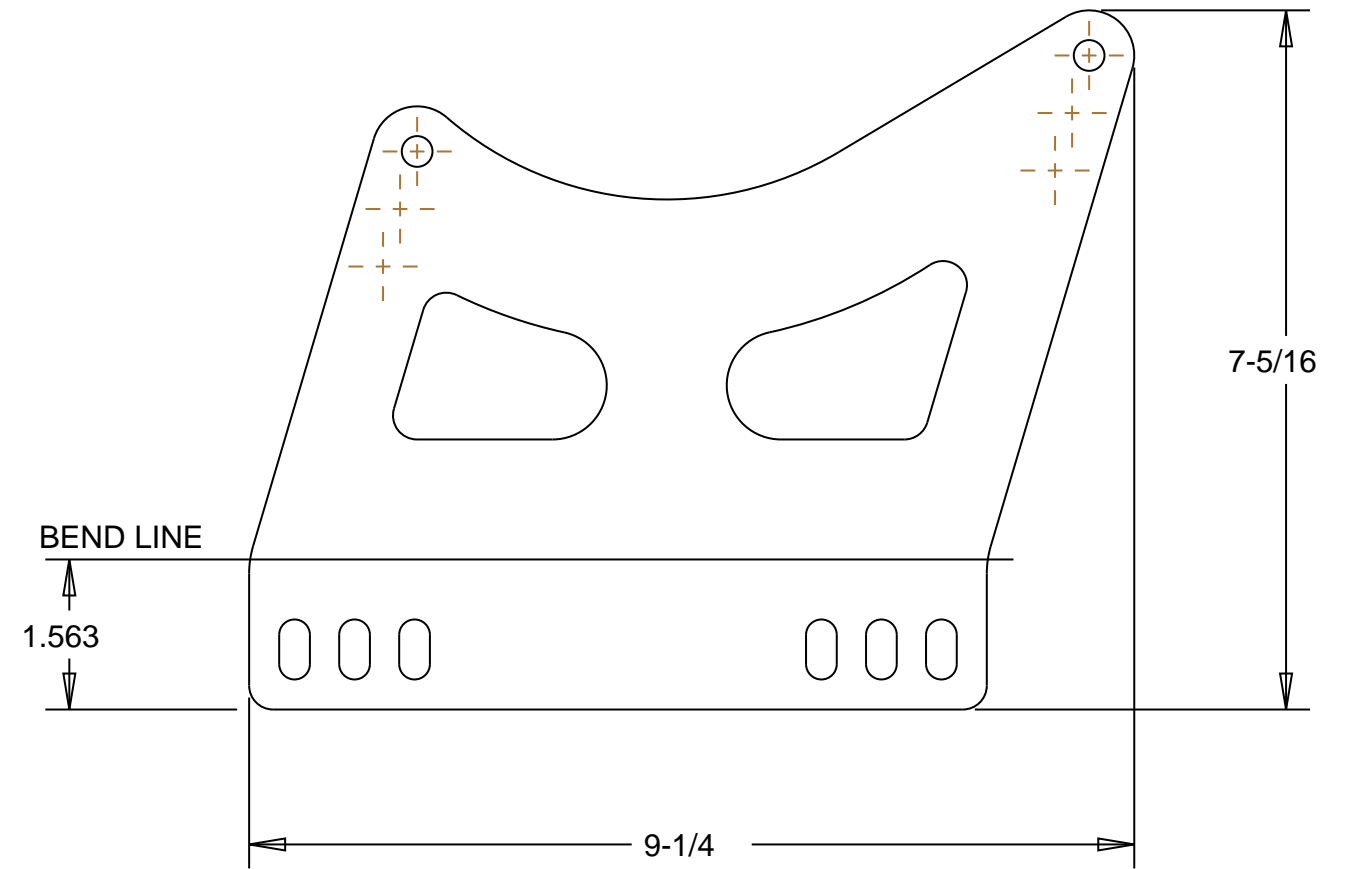
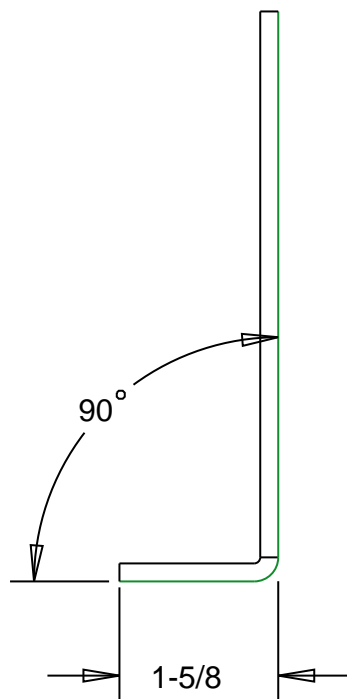
ITEM	QTY	PART No.	DESCRIPTION
1	1	95-379-01L	ALUM SEAT MOUNT PLATE
2	1	95-379-01R	ALUM SEAT MOUNT PLATE
3	8	65-131	5/16 NYLOCK NUT
4	4	65-013	5/16 X 1" BOLT
5	4	65-012	5/16 X 3/4" BOLT
6	12	65-201	5/16 FLAT WASHER
7	4	65-220	5/16 FENDER WASHER

0	27AUG08	JEB	INITIAL RELEASE
REV	DATE	DRN	DESCRIPTION
TOLERANCES: FRACTIONS ±1/32 2 PLC DEC ±0.01 3 PLC DEC ±0.005 ANGLES ±0.5°			BOLT IN SEAT MOUNT GENERAL ARR'G'T
MAT'L:			
PART No: 95-379			DRW No: 95-379 - 1

S & W RACE CARS  
11 MENNONITE CHURCH RD  
SPRING CITY, PA 19475



95-379-01  
 RIGHT HAND SHOWN  
 LEFT HAND OPPOSITE  
 SCALE 0.500



0	27AUG08	JEB	INITIAL RELEASE
REV	DATE	DRN	DESCRIPTION
TOLERANCES: FRACTIONS $\pm 1/32$ 2 PLC DEC $\pm 0.01$ 3 PLC DEC $\pm 0.005$ ANGLES $\pm 0.5^\circ$			ALUM SEAT MOUNT PLATE DETAIL
MAT'L: 3/16 ALUM			
PART No: 95-379-01			DRW No: 95-379 - 2

S & W RACE CARS  
 11 MENNONITE CHURCH RD  
 SPRING CITY, PA 19475