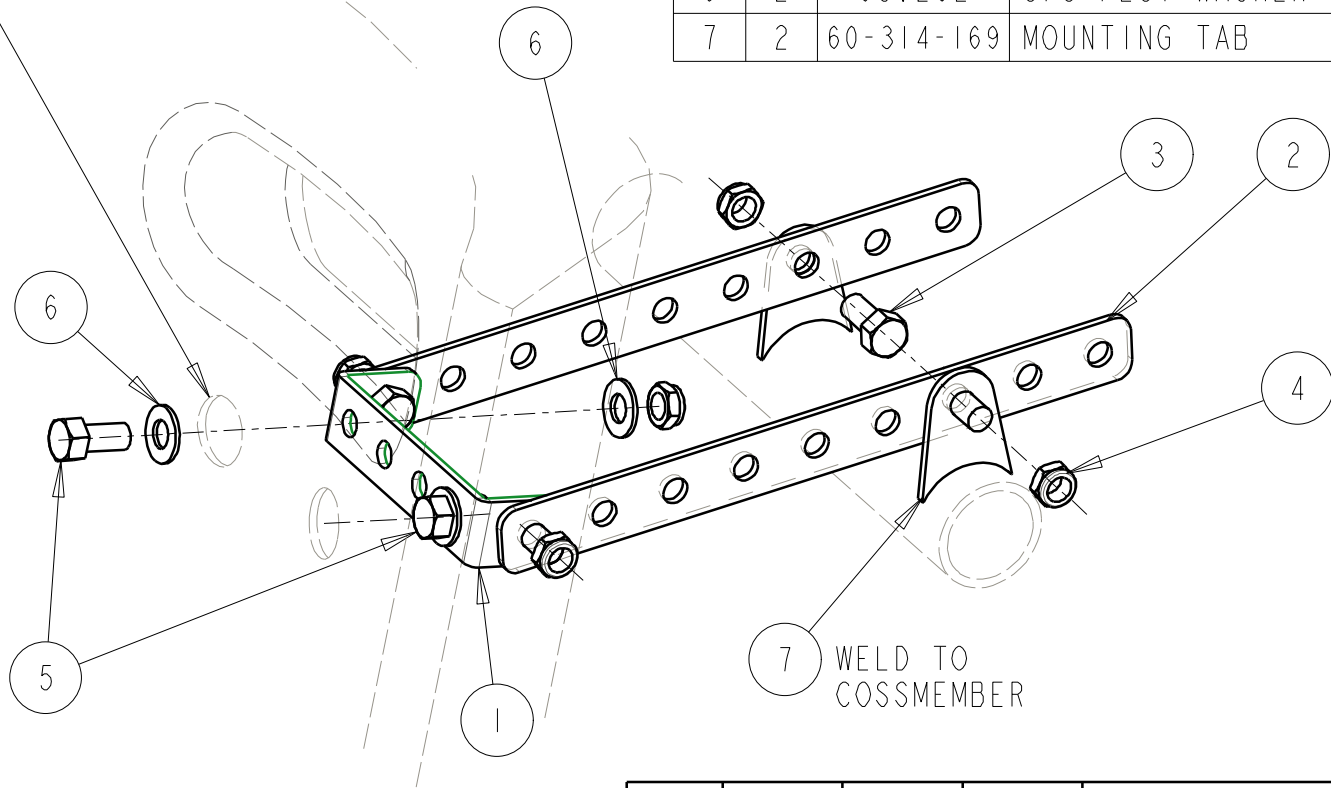


BILL of MATERIALS

ITEM	QTY	Part No:	DESCRIPTION
1	1	95-384-01	SEAT BRACE BRACKET
2	2	95-384-02	SEAT BRACE LINK
3	4	65-022	3/8 X 5/8"LG BOLT
4	6	65-143	3/8 HALF NYLOCK NUT
5	2	65-023	3/8 X 3/4"LG BOLT
6	2	65.202	3/8 FLST WASHER
7	2	60-314-169	MOUNTING TAB

WHEN USING A POLY SEAT
DRILL CLEARANCE HOLES
IN FRONT OF SEAT. BRACKET
BOLTS TO BACK OF SEAT.



0	28MAR03	JEB		INITIAL RELEASE
REV	DATE	DRN	APP'R	DESCRIPTION
TOLERANCES: FRACTIONS $\pm 1/32$ 2 PLC DEC ± 0.01 3 PLC DEC ± 0.005 ANGLES $\pm 0.5^\circ$				ADJUSTABLE SEAT BACK BRACE
S & W RACE CARS: 11 MENNONITE CHURCH RD SPRING CITY, PA 19475			Part No: 95-384	DWR No: 95-384 - 1