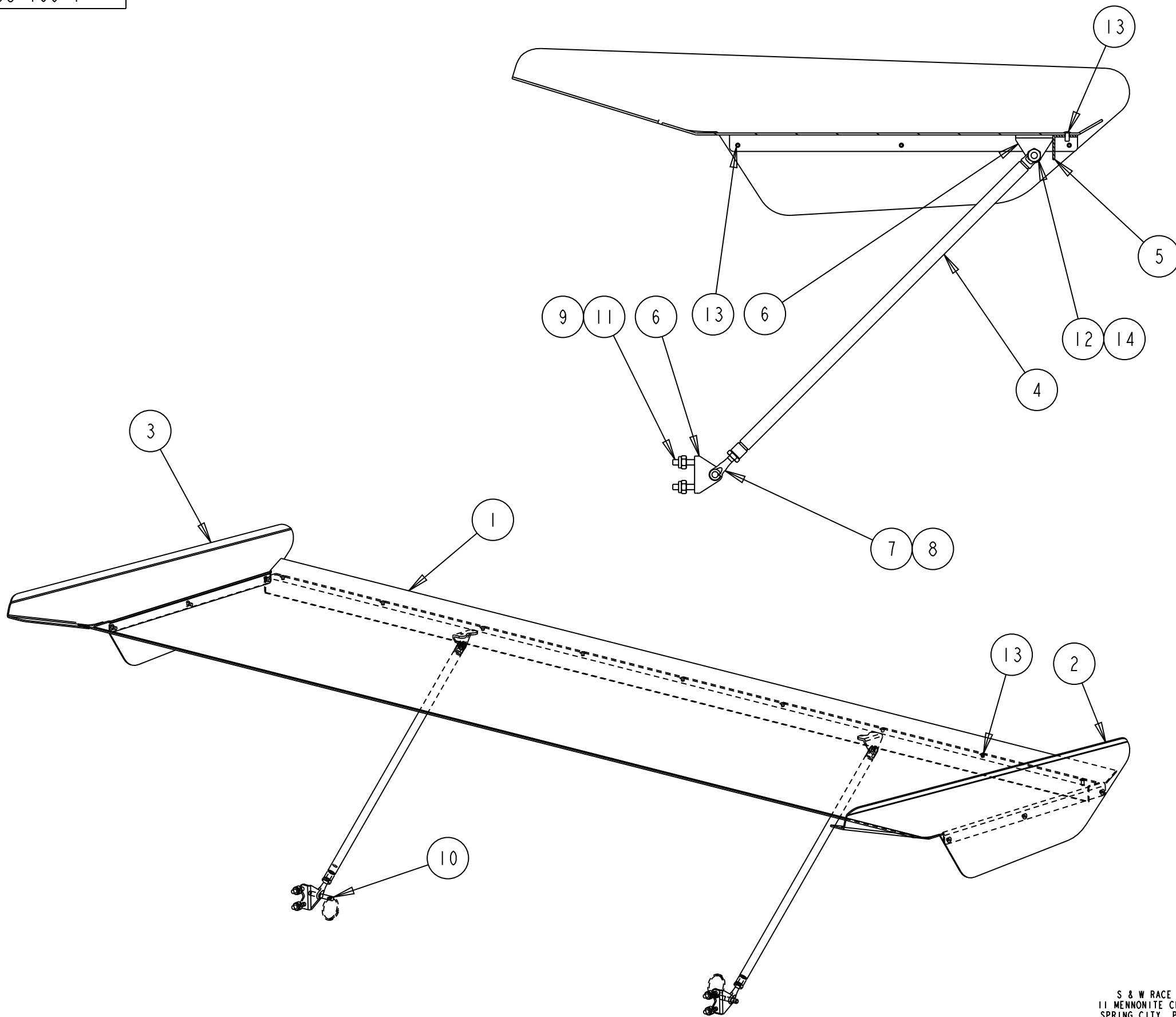


95-706-1



BILL OF MATERIALS

ITEM	QTY	PART No.	DESCRIPTION
1	1	95-706-01	SPOILER DECK
2	1	95-706-02	LEFT SPILL PLATE
3	1	95-706-03	RIGHT SPILL PLATE
4	2	95-703-04	SPOILER SUPPOT TUBE
5	1	95-703-05	REAR STIFFENER, SPOILER DECK
6	4	95-702-02	MOUNTING BRACKET
7	2	63-067	10-32 THREADED CLEVIS
8	2	65-508	10-320 HEX NUT
9	4	65-503	8-32 NYLOCK NUT
10	2	63-069	3/16 DETENT PIN
11	4	65-506	8-32 X 3/4 SCREW
12	2	65-512	10-32 X 5/8 SCREW
13	36	65-804	POP RIVET, 1/8"DIA X 1/16
14	2	65-507	10-32 NYLOCK NUT

0	20SEP04	JEB	INITIAL RELEASE
REV	DATE	DRN	DESCRIPTION
TOLERANCES: FRACTIONS ±1/32 2 PLC DEC ±0.01 3 PLC DEC ±0.005 ANGLES ±0.5°			CARBONFIBER SPOILER GENERAL ARR'T DRAWING
MAT'L:			
PART No: 95-706			DRW No: 95-706 - 1

S & W RACE CARS
 11 MENNONITE CHURCH RD
 SPRING CITY, PA 19475