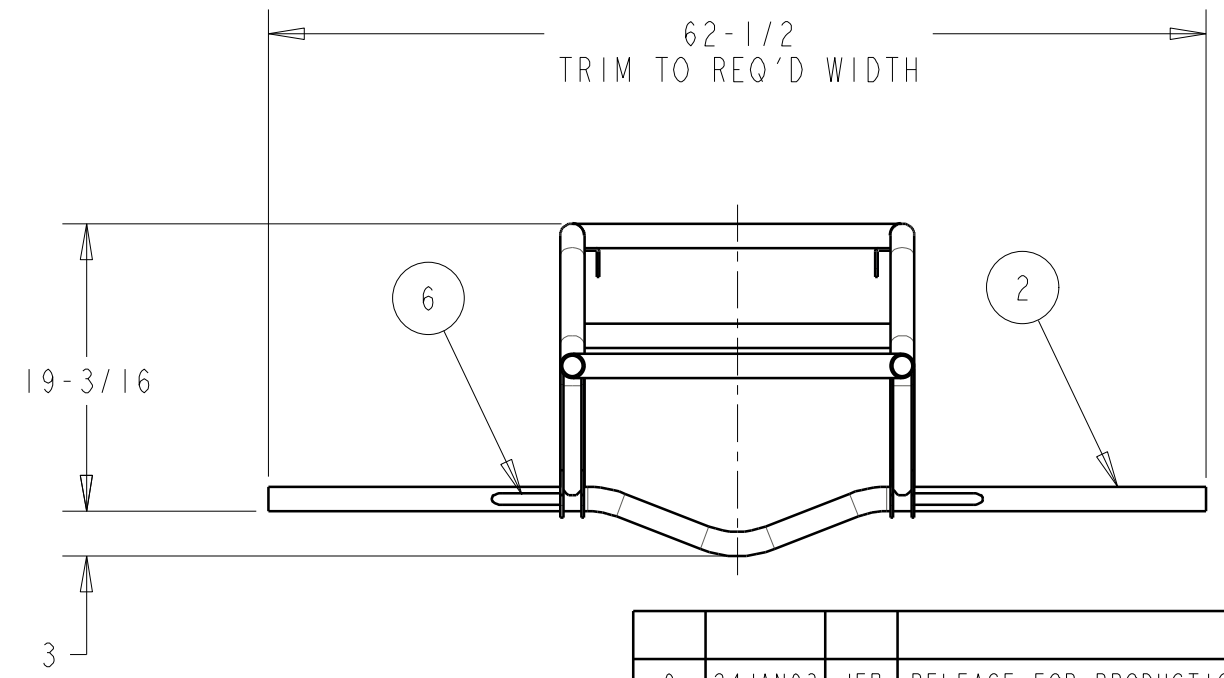
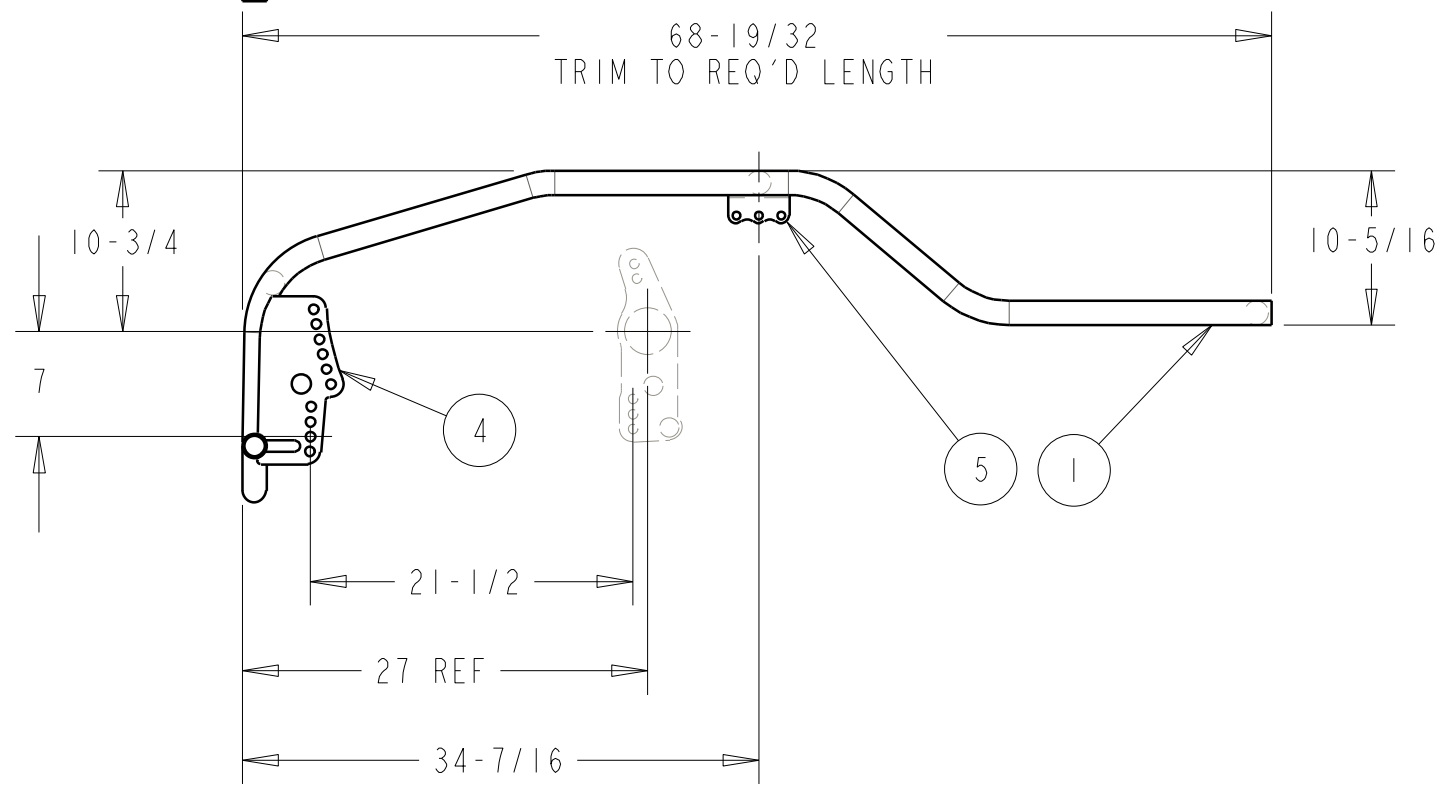


TACK WELDED FOR SHIPPING  
RELOCATE AS REQ'D

FRAME WIDTH (OUTSIDE)	
10-410	21 5/8"
10-411	23 5/8"
10-412	25 5/8"
10-413	27 5/8"
10-416	21 5/8"
10-417	23 5/8"
10-418	25 5/8"
10-419	27 5/8"

BILL OF MATERIALS			
ITEM	QTY	PART No.	DESCRIPTION
1	2	10-410-01	FRAME RAIL, UNIVERSAL 4-LINK
2	1	40-410-02	DROPPED CROSSMEMBER
3	2	40-410-03	CROSSMEMBER, SHOCK
4	4	10-410-4L	4-LINK FRAME BRKT
5	2	60-358	UPPER SHOCK BRKT
6	2	13-354	TUBE GUSSET



S & W RACE CARS  
11 MENNONITE CHURCH RD  
SPRING CITY, PA 19475

0	24JAN03	JEB	RELEASE FOR PRODUCTION
REV	DATE	DRN	
TOLERANCES: FRACTIONS ±1/32 2 PLC DEC ±0.01 3 PLC DEC ±0.005 ANGLES ±0.5°			ROUND TUBE FRAME UNIT
			DRW No: 10-410 - 1