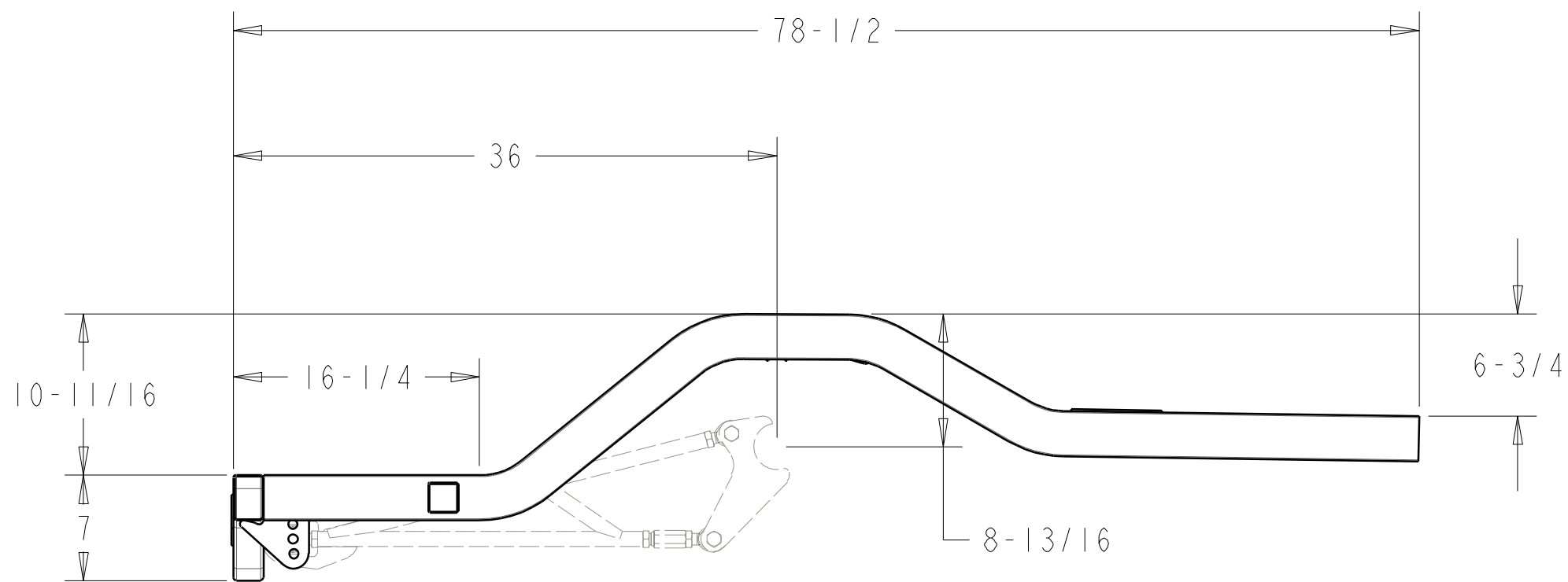
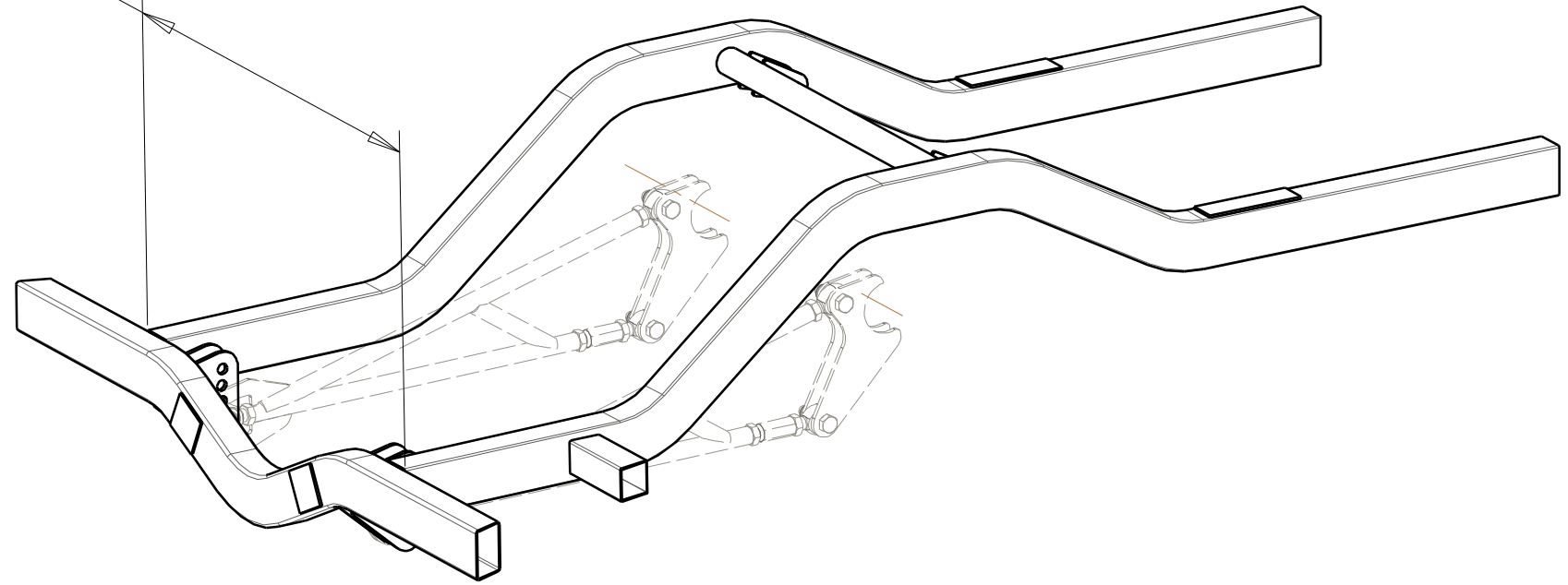


10-501-2

27-3/4  
OUTSIDE OF  
FRAME RAILS



A	23JUN10		REV FRAME RAIL
0	30NOV06	jeb	INITIAL RELEASE
REV	DATE	DRN	DESCRIPTION
TOLERANCES: FRACTIONS ±1/32 2 PLC DEC ±0.01 3 PLC DEC ±0.005 ANGLES ±0.5°			GENERAL ARRANGEMENT
MAT'L: prt.material			
PART No: 10-501			DRW No: 10-501 - 2

S & W RACE CARS  
11 MENNONITE CHURCH RD  
SPRING CITY, PA 19475