

10-510-1

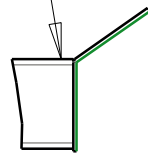
BILL OF MATERIALS

ITEM	QTY	PART No.	DESCRIPTION
1	1	10-510-XX	CAMARO 4-LINK FRAME
2	2	10-510-01	FRONT MOUNTING PLATE
3	2	10-510-02	REAR MOUNTING PL

IT MAY BE NECESSARY TO BEND THE INNER EDGE TO GET A GOOD WELD BETWEEN THE MOUNTING PAD AND THE BODY VALANCE

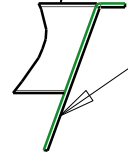
THIS TUBE MAY BE REMOVED AFTER SHIPMENT

CROSSMEMBER ALIGN TOP WITH BEND ON MOUNTING PAD
FRONT MOUNTING PADS WELD TO ROCKER BOX

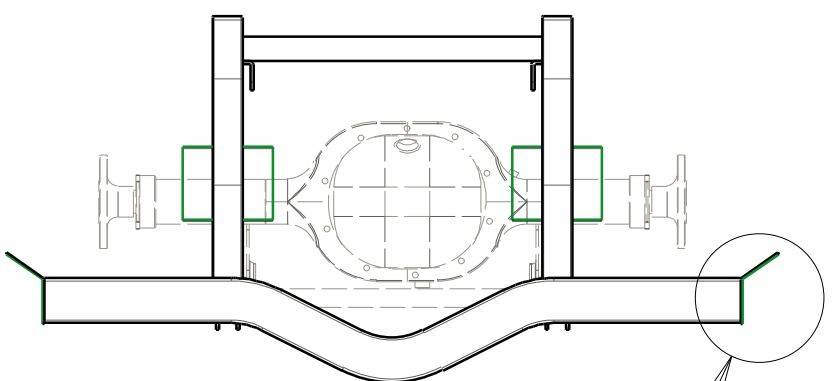
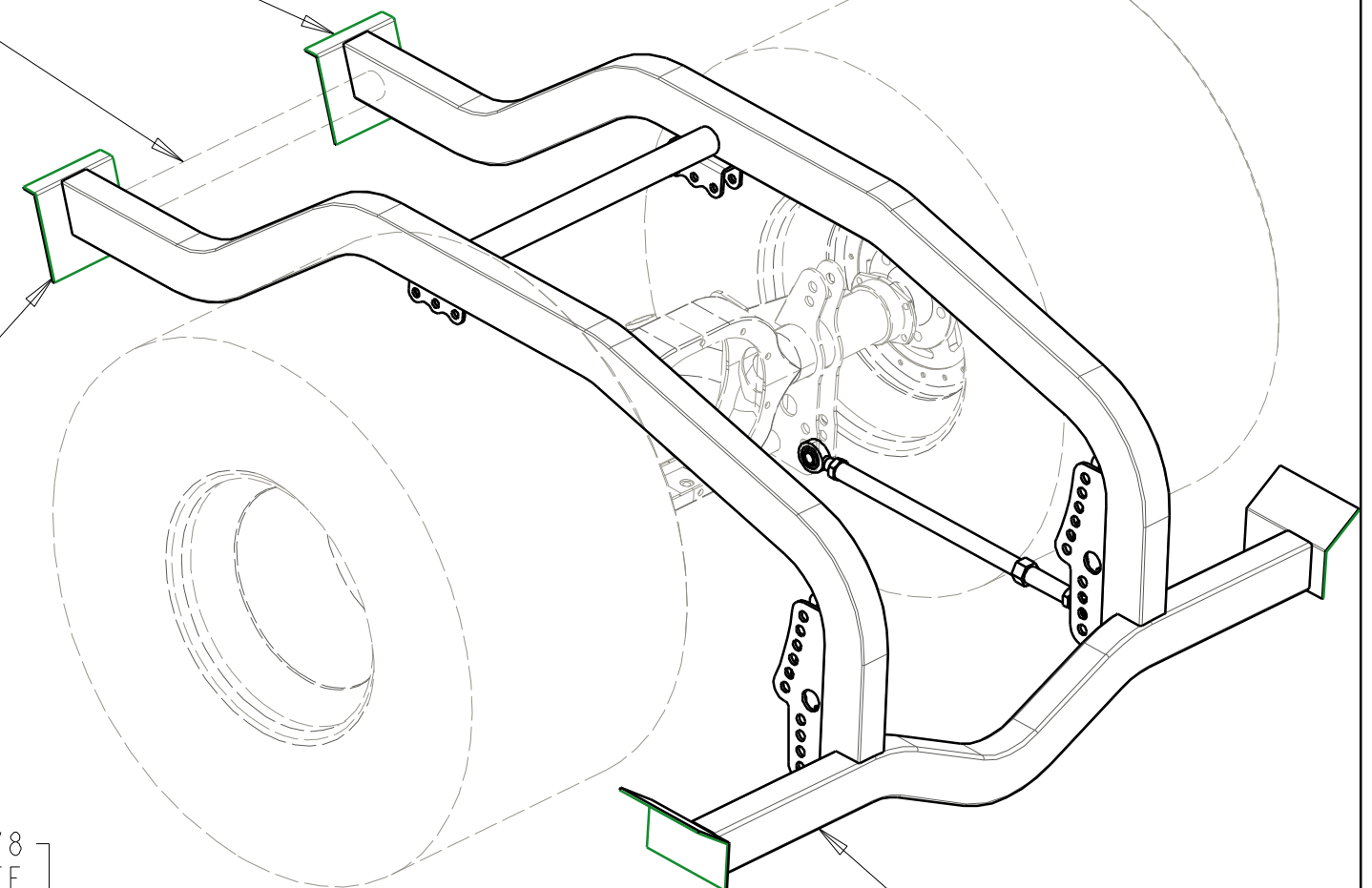


DETAIL A
SCALE 0.156

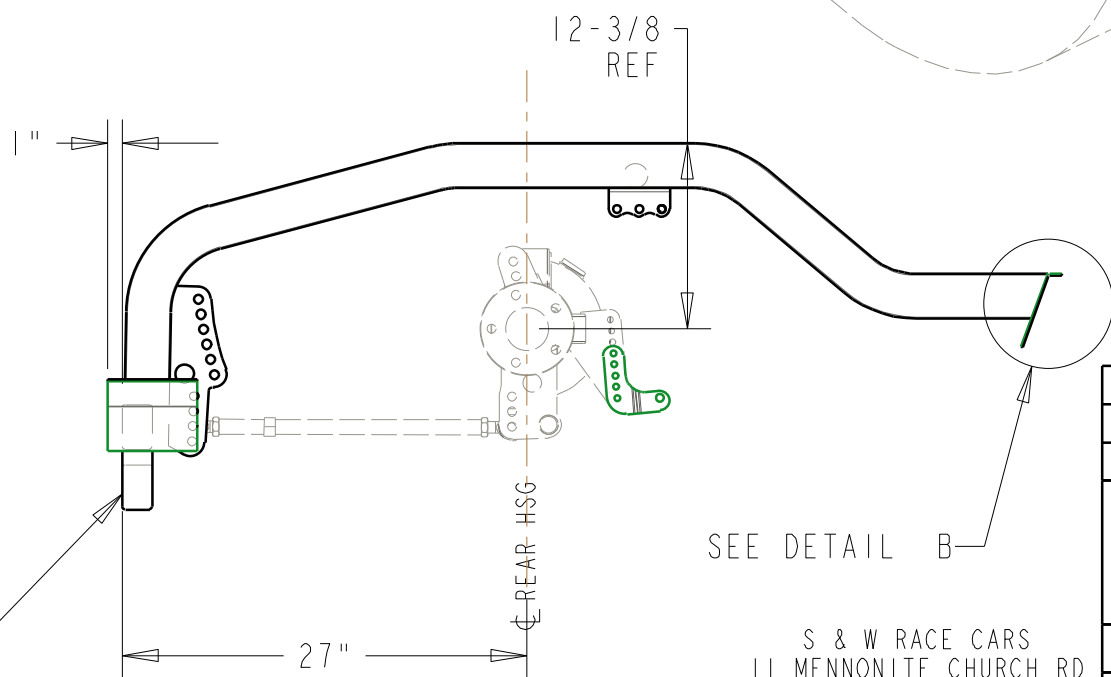
ALIGN TOP OF FRAME RAIL WITH TOP OF PAD
WELD REAR MOUNTING PADS TO BODY VALANCE PANEL



DETAIL B
SCALE 0.156



SEE DETAIL A



SEE DETAIL B

S & W RACE CARS
11 MENNONITE CHURCH RD
SPRING CITY, PA 19475

A	13MAR06	JEB	ADDED NOTES & DIM
0	14JAN05	JEB	INITIAL RELEASE
REV	DATE	DRN	DESCRIPTION
TOLERANCES: FRACTIONS ±1/32 2 PLC DEC ±0.01 3 PLC DEC ±0.005 ANGLES ±0.5°			4-LINK FRAME KIT 67-68 CAMARO GENERAL ARRANGEMENT
MAT'L:			
PART No: 10-510			DRW No: 10-510 - 1