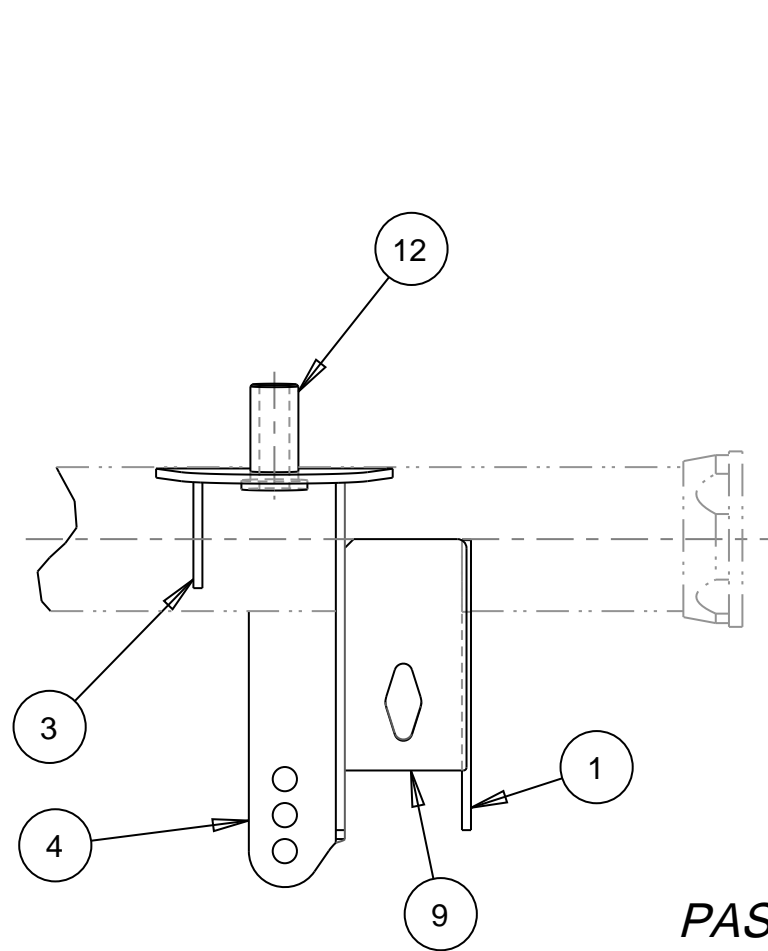
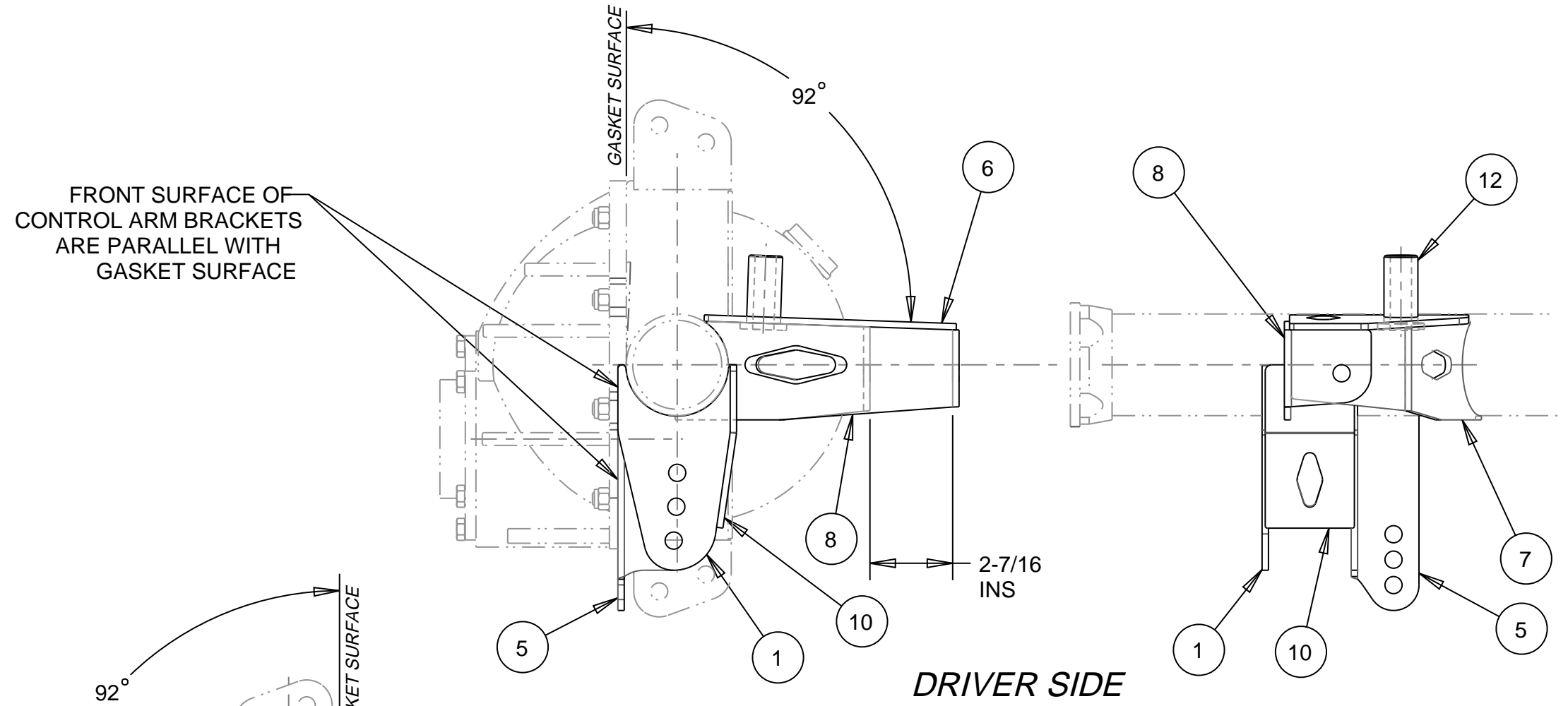


BILL OF MATERIALS			
ITEM	QTY	PART No.	DESCRIPTION
1	2	45-449-A	CONTROL ARM BRKT - OUTER
2	1	45-449-B	SPRING PAD - PS
3	1	45-449-C	SPRING PAD GUSSET - PS
4	1	45-449-D	CONTROL ARM / SHOCK MNT, P/S
5	1	45-449-E	CONTROL ARM / SHOCK MNT, D/S
6	1	45-449-F	SPRING PAD - DS
7	1	45-449-G	PANHARD BAR MNTG BRKT, FRT
8	1	45-449-H	PANHARD BAR MNTG BRKT, REAR
9	1	45-449-J	CONTROL ARM BACK PLATE - PS
10	1	45-449-K	CONTROL ARM BACK PLATE - DS
11	2	45-449-L	SHOCK MNT SPACER
12	2	45-449-M	SPRING JACK SCREW
13	2	45-449-01	SPRING JACK PLATE
14	2	65-125	1-8 HEX NUT

NOTE:
 1. DIMENSIONS SHOWN ARE FOR A REAR WITH A 1/2" PINION OFFSET.
 2. ITEMS #11, #13 & #14 ARE NOT SHOWN.

0	19JUL11	JEB	INITIAL RELEASE
REV	DATE	DRN	DESCRIPTION
TOLERANCES: FRACTIONS ±1/32 2 PLC DEC ±0.01 3 PLC DEC ±0.005 ANGLES ±0.5°			GENERAL ARRANGEMENT F-BODY SUSPENSION BRKT'S FOR 9" FORD REAR HOUSING
MAT'L:			
PART No: 45-449			DRW No: 40-449 - 1

S & W RACE CARS
 11 MENNONITE CHURCH RD
 SPRING CITY, PA 19475



0	18JUL11	JEB	INITIAL RELEASE
REV	DATE	DRN	DESCRIPTION
TOLERANCES: FRACTIONS $\pm 1/32$ 2 PLC DEC ± 0.01 3 PLC DEC ± 0.005 ANGLES $\pm 0.5^\circ$			GENERAL ARRANGEMENT F-BODY SUSPENSION BRKT'S FOR 9" FORD REAR HOUSING
MAT'L:			
PART No: 45-449			DRW No: 40-449 - 2

S & W RACE CARS
11 MENNONITE CHURCH RD
SPRING CITY, PA 19475