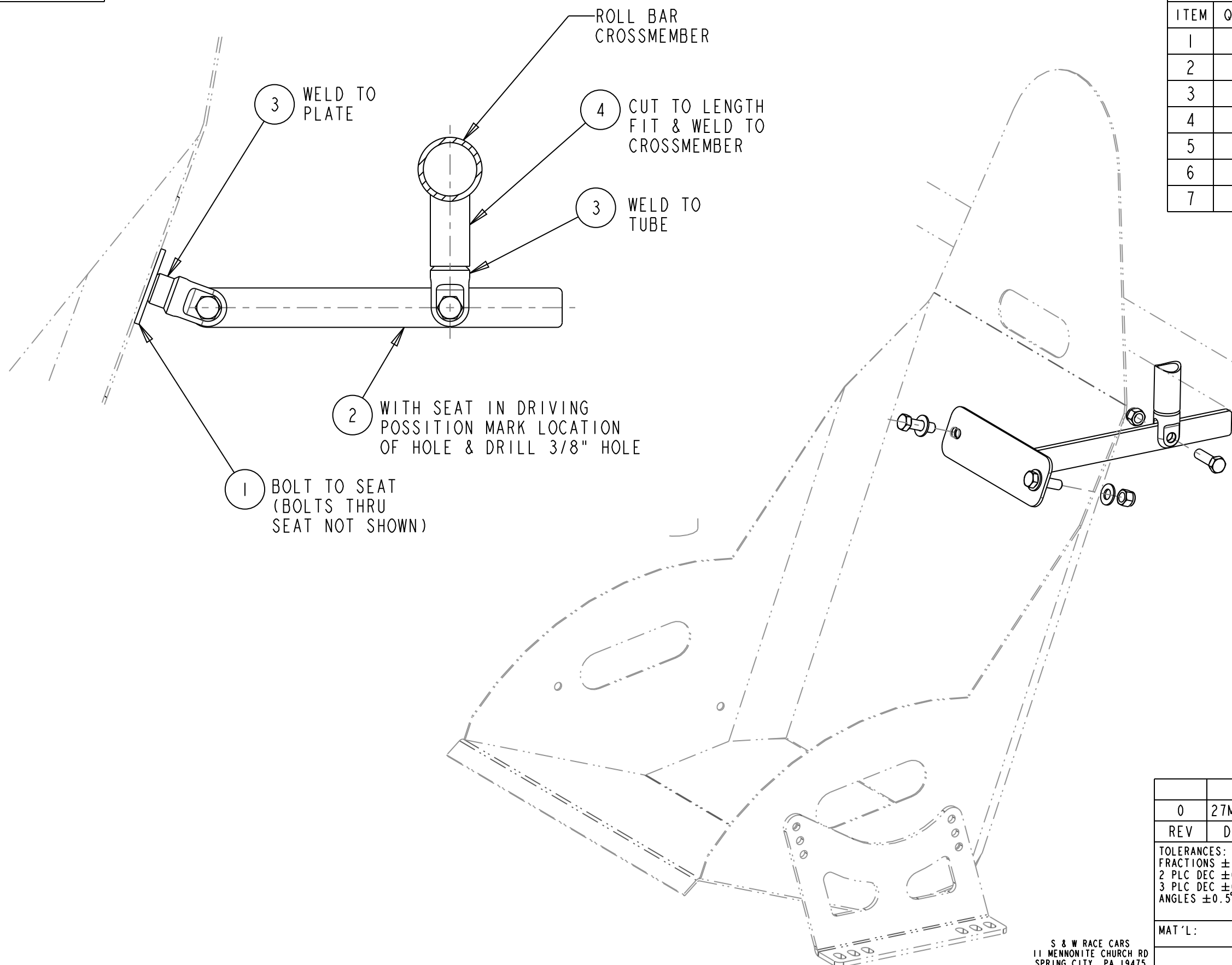


95-376-1

BILL OF MATERIALS

ITEM	QTY	PART No.	DESCRIPTION
1	1	95-376-01	SEAT BRACE PLATE
2	1	95-376-02	SEAT BRACE LINK
3	2	63-056	WELD-IN TUBE CLEVIS
4	1	1X095X6	TUBE
5	4	65-025	3/8 X 1 1/4" BOLT
6	4	65-132	3/8 NYLOCK NUT
7	4	65-202	3/8 FLAT WASHER



0	27MAR12	JEB	INITIAL RELEASE
REV	DATE	DRN	DESCRIPTION
TOLERANCES: FRACTIONS ±1/32 2 PLC DEC ±0.01 3 PLC DEC ±0.005 ANGLES ±0.5°			SEAT BRACE GENERAL ARRANGEMENT
MAT'L:			
PART No: 95-379			DRW No: 95-376 - 1

S & W RACE CARS  
 11 MENNONITE CHURCH RD  
 SPRING CITY, PA 19475