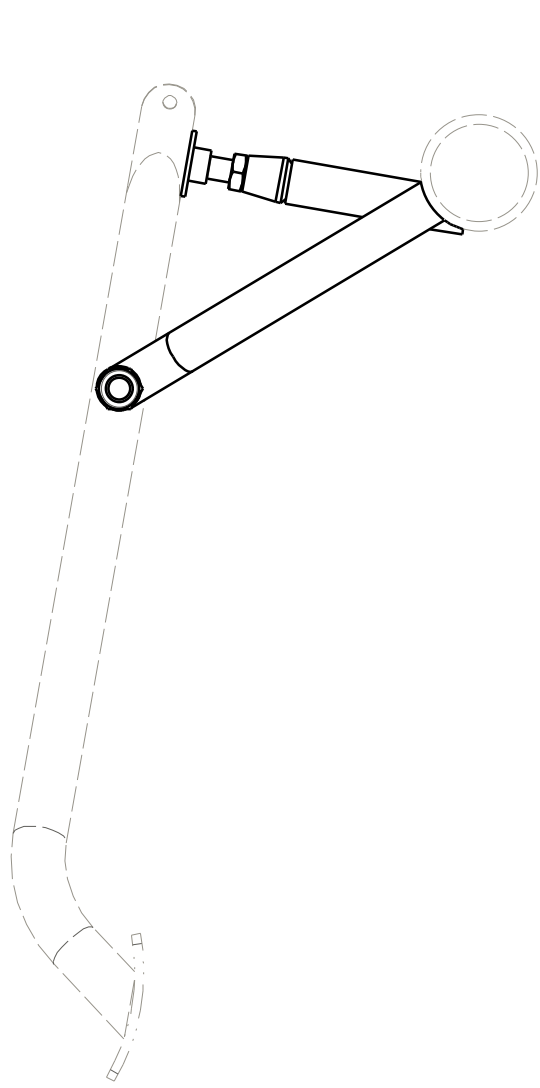


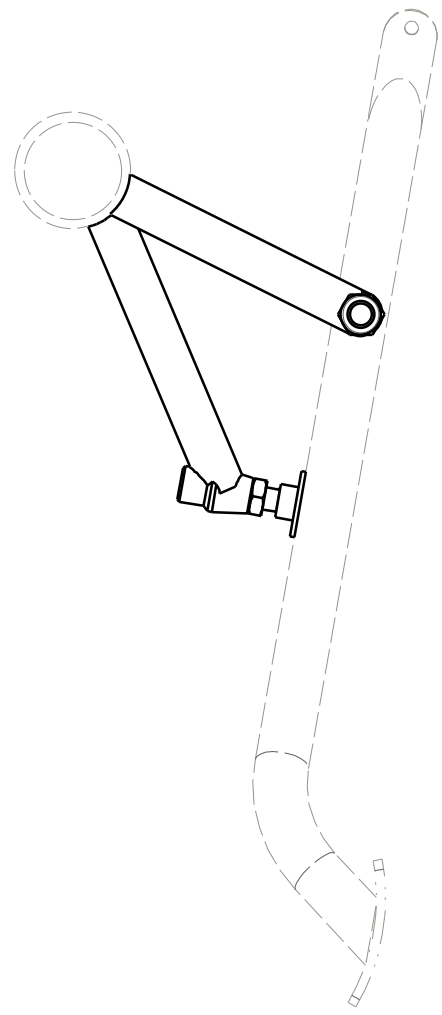
15-044-1

BILL OF MATERIALS

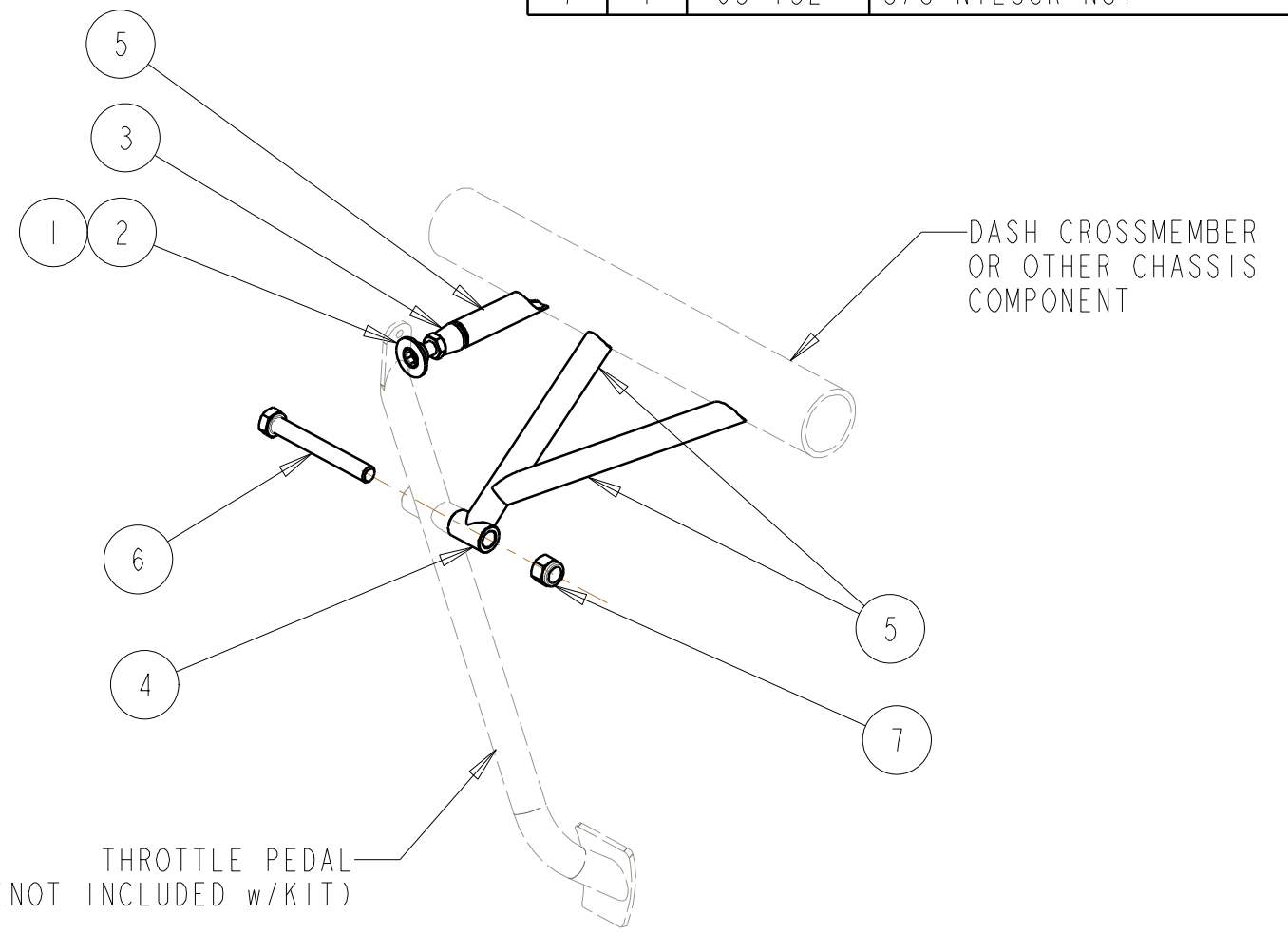
| ITEM | QTY | PART No. | DESCRIPTION |
|------|-----|-------------|---------------------|
| 1 | 1 | 15-036 | THROTTLE STOP SCREW |
| 2 | 1 | 65-111 | 5/16 JAM NUT |
| 3 | 1 | 63-092 | THREADED TUBE END |
| 4 | 1 | 625X120CMX1 | BUSHING |
| 5 | - | 625X058CM | 5/8Ø X 0.058 TUBE |
| 6 | 1 | 65-031 | 3/8 X 3" LG BOLT |
| 7 | 1 | 65-132 | 3/8 NYLOCK NUT |



PEDAL AHEAD OF CROSSMEMBER
SCALE 0.375



PEDAL BEHIND CROSSMEMBER
SCALE 0.375



THROTTLE PEDAL
(NOT INCLUDED w/KIT)

DASH CROSSMEMBER
OR OTHER CHASSIS
COMPONENT

| | | | |
|---|---------|-----|---|
| 0 | 15SEP09 | JEB | INITIAL RELEASE |
| REV | DATE | DRN | DESCRIPTION |
| TOLERANCES: FRACTIONS ±1/32 2 PLC DEC ±0.01 3 PLC DEC ±0.005 ANGLES ±0.5° | | | THROTTLE PEDAL MOUNT KIT GENERAL ARRANGEMENT |
| MAT'L: | | | |
| PART No: 15-044 | | | DRW No: 15-044 - 1 |

S & W RACE CARS
11 MENNONITE CHURCH RD
SPRING CITY, PA 19475